

820B R YY - 2 1 3 R 00 1

SERIES 9.50 [0.374]  
 R = RIGHT ANGLE  
 # OF POSITIONS (Ex. 02)  
 \*\*SEE CHART A\*\*  
 2 = FEMALE  
 1 = GOLD FLASH  
 RoHS COMPLIANT  
 NICKEL/CHROME PLATED SHELL  
 VERTICAL (PANEL MOUNT)

CHARACTERISSTICS

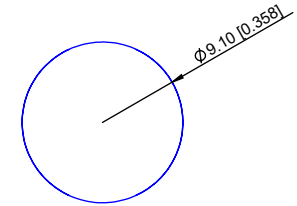
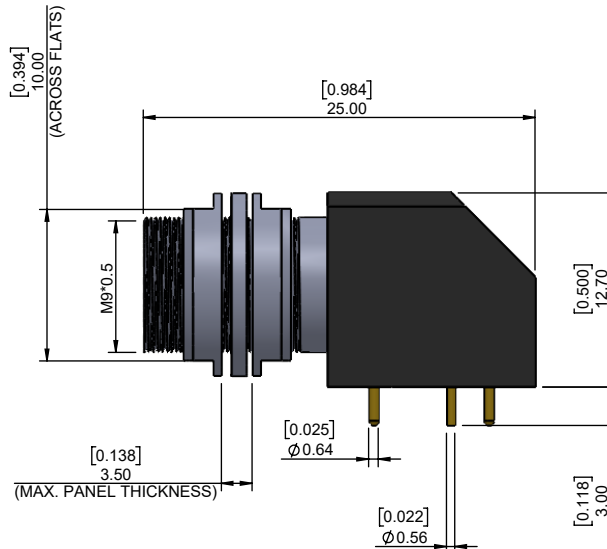
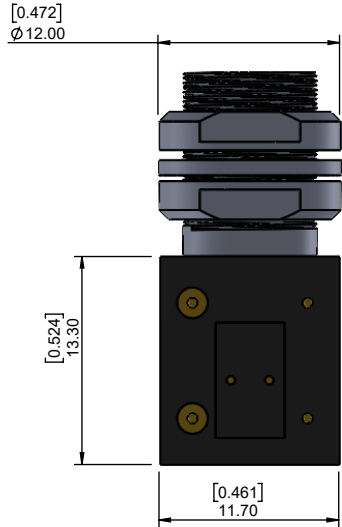
MATERIALS

SHELL : BRASS  
 SHELL PLATING : NICKEL  
 NUT : BRASS  
 NUT PLATING : NICKEL  
 LATCH SLEEVE : BRASS  
 LATCH SLEEVE PLATING : NICKEL  
 CONTACTS : COPPER ALLOY  
 CONTACT PLATING : 7µ" GOLD PLATED OVER 196µ" NICKEL MIN.  
 INSULATOR : PPS (HIGH TEMPERATURE)

MECHANICAL

DURABILITY: 5000 CYCLES  
 OPERATING TEMP. RANGE: -40° C ~ +200° C  
 PROCESS TEMPERATURE : 260°C FOR 5 SECONDS  
 MAX. TORQUE VALUE : 2.5 Nm [22.1 IN/lbs]  
 SHIELDING: 75dB @ 10MHz  
 40dB @ 1GHz

IP RATING: 50



PANEL CUTOUT  
 TOLERANCE = +0.10, -0.0  
 [+0.004, -0.00]

CHART A

● = KEY LOCATION

\*\*VIEW FROM MATING FACE\*\*

|   |   |  |  |   |   |
|---|---|--|--|---|---|
| <br>2 POSITION<br>6 AMP MAX.<br>PIN Ø = 0.90 [0.035]                        | <br>3 POSITION<br>6 AMP MAX.<br>PIN Ø = 0.90 [0.035]                        | <br>4 POSITION<br>6 AMP MAX.<br>PIN Ø = 0.70 [0.028]                         | <br>5 POSITION<br>6 AMP MAX.<br>PIN Ø = 0.70 [0.028]                         | <br>6 POSITION<br>2.5 AMP MAX.<br>PIN Ø = 0.50 [0.020]                      | <br>7 POSITION<br>2.5 AMP MAX.<br>PIN Ø = 0.50 [0.020]                      |
| CONTACT RESISTANCE = 6 mΩ<br>TEST VOLTAGE = 1000V<br>WORKING VOLTAGE = 330V | CONTACT RESISTANCE = 6 mΩ<br>TEST VOLTAGE = 1200V<br>WORKING VOLTAGE = 400V | CONTACT RESISTANCE = 7.5 mΩ<br>TEST VOLTAGE = 850V<br>WORKING VOLTAGE = 280V | CONTACT RESISTANCE = 7.5 mΩ<br>TEST VOLTAGE = 850V<br>WORKING VOLTAGE = 280V | CONTACT RESISTANCE = 10 mΩ<br>TEST VOLTAGE = 850V<br>WORKING VOLTAGE = 280V | CONTACT RESISTANCE = 10 mΩ<br>TEST VOLTAGE = 800V<br>WORKING VOLTAGE = 260V |

**\*\*NOTE\*\***  
 SEE PAGE 2 FOR  
 BOARD LAYOUTS

**RoHS COMPLIANT**



THESE DRAWINGS AND SPECIFICATIONS ARE THE PROPERTY OF NorComp AND SHALL NOT BE REPRODUCED, COPIED OR USED AS THE BASIS FOR THE MANUFACTURE OR SALE OF APPARATUS WITHOUT WRITTEN PERMISSION.

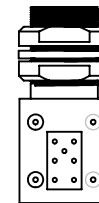
NorComp

|                     |                   |                  |                            |         |           |
|---------------------|-------------------|------------------|----------------------------|---------|-----------|
| DRAWN:<br>M. SIGMON | DATE:<br>02-12-16 | SCALE:<br>N.T.S. | SHEET<br>1                 | OF<br>2 | REV:<br>3 |
|                     |                   |                  | DWG NO.<br>820BRYY-213R001 |         |           |

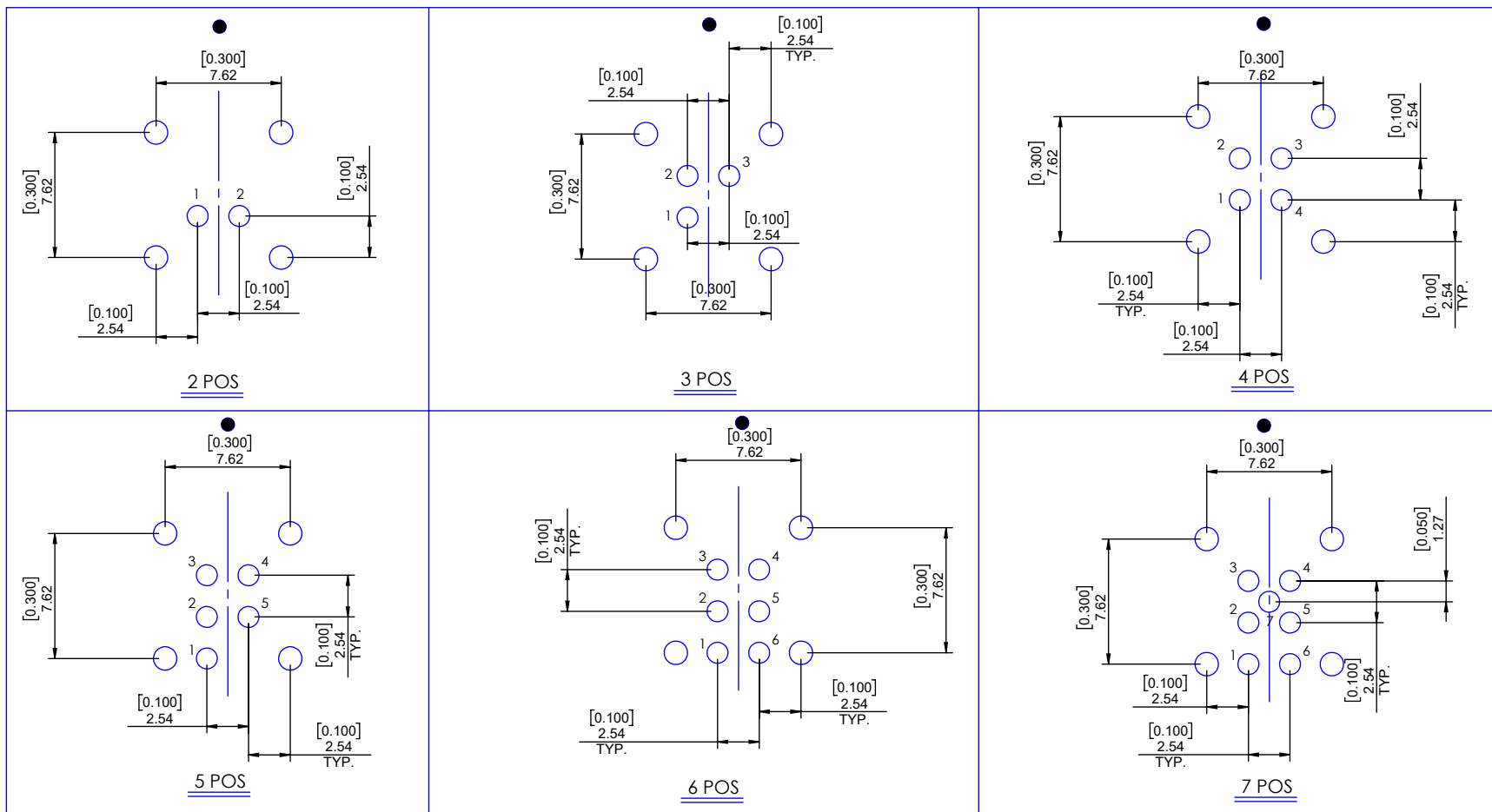
# BOARD LAYOUTS

● = KEY LOCATION

ALL HOLE SIZES: 0.80 [0.031]



VIEW SHOWN FOR CONNECTOR ORIENTATION



**RoHS COMPLIANT**



THESE DRAWINGS AND SPECIFICATIONS ARE THE PROPERTY OF NorComp AND SHALL NOT BE REPRODUCED, COPIED OR USED AS THE BASIS FOR THE MANUFACTURE OR SALE OF APPARATUS WITHOUT WRITTEN PERMISSION.

# NorComp

DRAWN: M. SIGMON

DATE: 02-12-16

SCALE: N.T.S.

SHEET 2 OF 2

REV: 3

DWG NO. 820BRY-213R001

## X-ON Electronics

Largest Supplier of Electrical and Electronic Components

*Click to view similar products for [Circular Push Pull Connectors](#) category:*

*Click to view products by [NorComp](#) manufacturer:*

Other Similar products are found below :

[6407-249V-11273P](#) [6408-201V-13273](#) [6408-202V-13343](#) [6408-202V-17343](#) [EZG.0B.309.CLN](#) [FFA.2S.310.ZLA](#) [FGA.1B.307.CYCD72Z](#)  
[FGJ.1B.304.CLLD76](#) [FGJ.1B.306.CWLD72](#) [FGJ.3B.304.CYMD10Z](#) [FGJ.3B.304.CYMD82Z](#) [FHG.1B.303.CYCZ](#) [PCS.01.250.DLLE24](#)  
[PHG.0K.305.CYMC40Z](#) [PHG.1K.308.CLLK85](#) [PKG.M0.6BL.LZ](#) [PLC.M1.0SL.LA](#) [GMA.10.290.DN](#) [GMA.3B.090.DA](#)  
[PRG.M0.6GL.LC52GZ](#) [PSA.1S.275.CTLC66](#) [ABF.1S.250.NTA](#) [133020F](#) [1331ER193MZ](#) [1332M107MZ](#) [DTS26Z19-32JA-LC](#) [DTS26Z19-](#)  
[32SA](#) [DTS26Z19-32SA-LC](#) [EAJ.1B.306.CWA](#) [ECG.XB.312.CLL](#) [1589430-2](#) [EEA.0B.305.CLN](#) [EEA.0B.309.CLL](#) [ELF.00.250.NTL](#)  
[ERA.01.250.DLL](#) [BRR.2S.200.PZVG](#) [HR10A-P](#) [CAH.M34.SLL.C72GZ](#) [CAJ.M34.SLL.C72GZ](#) [300500](#) [ESB.00.303.NLL](#)  
[EXG.0B.309.HLN](#) [FFB.1S.250.CLAC27](#) [FGA.2B.306.CYCD92](#) [FGA.2B.306.CYCD92Z](#) [FGJ.1B.302.CYMD62](#) [FGJ.3B.308.CLLD72Z](#)  
[FHG.1B.303.CYCD62](#) [FLC.00.250.CTAC31](#) [PCS.01.250.DLLE31](#)