

CHARACTERISSTICS

MATERIALS

HOUSING : BRASS  
 HOUSING PLATING : 196µ" NICKEL MIN.  
 SHELL & COLLET NUT: BRASS, 196µ" CHROME PLATED MIN.  
 CONTACTS : COPPER ALLOY  
 CONTACT PLATING : 7µ" GOLD PLATED OVER 196µ" NICKEL MIN.  
 INSULATOR : PPS (HIGH TEMPERATURE)  
 STRAIN RELIEF(BOOT) : THERMOPLASTIC POLYURETHANE  
 O-RING: SILICONE

MECHANICAL

DURABILITY: 5000 CYCLES  
 OPERATING TEMP. RANGE: -40° C ~ +200° C  
 PROCESS TEMPERATURE : 260 °C FOR 5 SECONDS  
 MAX. TOURQUE VALUE : 0.8 Nm [7.0 IN/LBS]  
 SHIELDING: 75dB @ 10MHZ  
 40dB @ 1GHz

IP RATING: 67

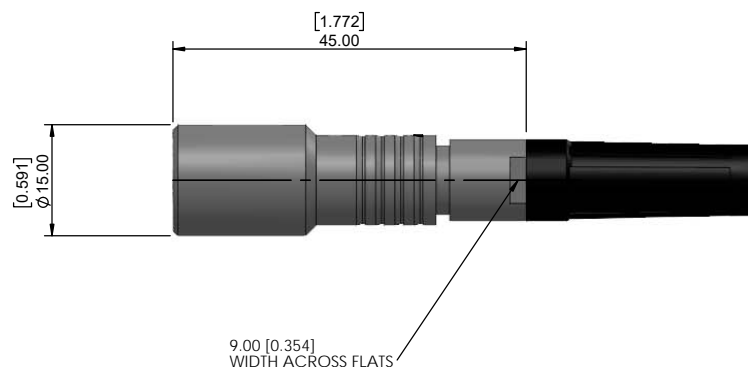


CHART B

| COLLET SIZE | WIRE DIAMETER               |
|-------------|-----------------------------|
| 40          | 3.30 [0.130] ~ 4.20 [0.165] |
| 50          | 4.30 [0.169] ~ 5.20 [0.205] |
| 60          | 5.30 [0.209] ~ 6.20 [0.244] |

CHART A

● = KEY LOCATION

\*\*VIEW FROM TERMINATION END\*\*

|   |   |   |  |  |   |   |
|---|---|---|--|--|---|---|
| <br>2 POSITION<br>20 AWG MAX.<br>15 AMP MAX.<br>PIN Ø = 1.30 [0.051]<br><br>CONTACT RESISTANCE = 5 mΩ<br>TEST VOLTAGE = 1500V<br>WORKING VOLTAGE = 500V | <br>3 POSITION<br>20 AWG MAX.<br>12 AMP MAX.<br>PIN Ø = 1.30 [0.051]<br><br>CONTACT RESISTANCE = 5 mΩ<br>TEST VOLTAGE = 1300V<br>WORKING VOLTAGE = 430V | <br>4 POSITION<br>22 AWG MAX.<br>10 AMP MAX.<br>PIN Ø = 0.90 [0.035]<br><br>CONTACT RESISTANCE = 6 mΩ<br>TEST VOLTAGE = 1300V<br>WORKING VOLTAGE = 430V | <br>5 POSITION<br>22 AWG MAX.<br>9 AMP MAX.<br>PIN Ø = 0.90 [0.035]<br><br>CONTACT RESISTANCE = 6 mΩ<br>TEST VOLTAGE = 1250V<br>WORKING VOLTAGE = 415V | <br>6 POSITION<br>24 AWG MAX.<br>7 AMP MAX.<br>PIN Ø = 0.70 [0.028]<br><br>CONTACT RESISTANCE = 7.5 mΩ<br>TEST VOLTAGE = 1050V<br>WORKING VOLTAGE = 350V | <br>7 POSITION<br>24 AWG MAX.<br>7 AMP MAX.<br>PIN Ø = 0.70 [0.028]<br><br>CONTACT RESISTANCE = 7.5 mΩ<br>TEST VOLTAGE = 950V<br>WORKING VOLTAGE = 315V | <br>14 POSITION<br>28 AWG MAX.<br>2 AMP MAX.<br>PIN Ø = 0.50 [0.020]<br><br>CONTACT RESISTANCE = 10 mΩ<br>TEST VOLTAGE = 800V<br>WORKING VOLTAGE = 267V |
|---|---|---|--|--|---|---|

RoHS COMPLIANT



THESE DRAWINGS AND SPECIFICATIONS ARE THE PROPERTY OF NorComp AND SHALL NOT BE REPRODUCED, COPIED OR USED AS THE BASIS FOR THE MANUFACTURE OR SALE OF APPARATUS WITHOUT WRITTEN PERMISSION.

NorComp

DRAWN: M. SIGMON

DATE: 02-19-16

SCALE: N.T.S.

SHEET 1 OF 1

REV: 6

DWG NO. 821KYYY-273LYY1

## X-ON Electronics

Largest Supplier of Electrical and Electronic Components

*Click to view similar products for [Circular Push Pull Connectors](#) category:*

*Click to view products by [NorComp](#) manufacturer:*

Other Similar products are found below :

[6407-249V-11273P](#) [6408-201V-13273](#) [6408-202V-13343](#) [6408-202V-17343](#) [EZG.0B.309.CLN](#) [FFA.2S.310.ZLA](#) [FGJ.1B.304.CLLD76](#)  
[FGJ.1B.306.CWLD72](#) [FGJ.3B.304.CYMD10Z](#) [FGJ.3B.304.CYMD82Z](#) [FHG.1B.303.CYCZ](#) [PCS.01.250.DLLE24](#) [PHG.0K.305.CYMC40Z](#)  
[PHG.1K.308.CLLK85](#) [PKG.M0.6BL.LZ](#) [PLC.M1.0SL.LA](#) [GMA.10.290.DN](#) [GMA.3B.090.DA](#) [PRG.M0.6GL.LC52GZ](#) [PSA.1S.275.CTLC66](#)  
[ABF.1S.250.NTA](#) [133020F](#) [1331ER193MZ](#) [1332M107MZ](#) [DTS26Z19-32JA-LC](#) [DTS26Z19-32SA](#) [DTS26Z19-32SA-LC](#) [EAJ.1B.306.CWA](#)  
[ECG.XB.312.CLL](#) [1589430-2](#) [EEA.0B.305.CLN](#) [EEA.0B.309.CLL](#) [ELF.00.250.NTL](#) [ERA.01.250.DLL](#) [BRR.2S.200.PZVG](#) [HR10A-P](#)  
[CAH.M34.SLL.C72GZ](#) [CAJ.M34.SLL.C72GZ](#) [300500](#) [ESB.00.303.NLL](#) [EXG.0B.309.HLN](#) [FFB.1S.250.CLAC27](#) [FGA.2B.306.CYCD92](#)  
[FGA.2B.306.CYCD92Z](#) [FGJ.3B.308.CLLD72Z](#) [FHG.1B.303.CYCD62](#) [FLC.00.250.CTAC27](#) [FLC.00.250.CTAC31](#) [PCS.01.250.DLLE31](#)  
[PKA.M1.0TL.LG](#)