

CHARACTERISTICS

MATERIALS

SHELL : BRASS
 SHELL PLATING : NICKEL
 NUT : BRASS
 NUT PLATING : NICKEL
 LATCH SLEEVE : BRASS
 LATCH SLEEVE PLATING : NICKEL
 CONTACTS : COPPER ALLOY
 CONTACT PLATING : 7µ" GOLD PLATED OVER 196µ" NICKEL MIN.
 INSULATOR : PPS (HIGH TEMPERATURE)

MECHANICAL

DURABILITY: 5000 CYCLES
 OPERATING TEMP. RANGE: -40° C ~ +200° C
 PROCESS TEMPERATURE : 260°C FOR 5 SECONDS
 MAX. TORQUE VALUE : 6.0 Nm [53 IN/lbs]
 SHIELDING: 75dB @ 10MHz
 40dB @ 1GHz

IP RATING: 50

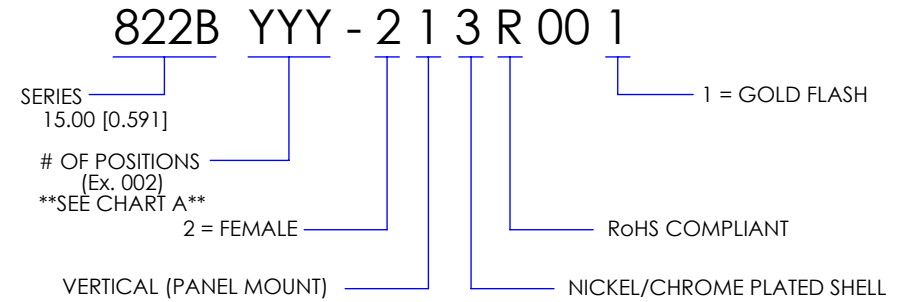
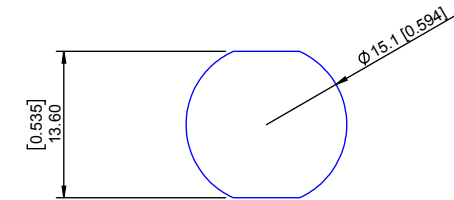


CHART A

● = KEY LOCATION

VIEW FROM TERMINATION END

 2 POSITION 25 AMP MAX. PIN Ø = 2.00 [0.079]	 3 POSITION 17 AMP MAX. PIN Ø = 1.60 [0.063]	 4 POSITION 15 AMP MAX. PIN Ø = 1.30 [0.051]	 6 POSITION 12 AMP MAX. PIN Ø = 1.30 [0.051]	 8 POSITION 10 AMP MAX. PIN Ø = 0.90 [0.035]	
CONTACT RESISTANCE = 3 mΩ TEST VOLTAGE = 2100V WORKING VOLTAGE = 700V	CONTACT RESISTANCE = 4 mΩ TEST VOLTAGE = 2400V WORKING VOLTAGE = 800V	CONTACT RESISTANCE = 5 mΩ TEST VOLTAGE = 1850V WORKING VOLTAGE = 615V	CONTACT RESISTANCE = 5 mΩ TEST VOLTAGE = 1350V WORKING VOLTAGE = 450V	CONTACT RESISTANCE = 6 mΩ TEST VOLTAGE = 1500V WORKING VOLTAGE = 500V	
 10 POSITION 8 AMP MAX. PIN Ø = 0.90 [0.035]	 12 POSITION 7 AMP MAX. PIN Ø = 0.70 [0.028]	 14 POSITION 6.5 AMP MAX. PIN Ø = 0.70 [0.028]	 16 POSITION 6 AMP MAX. PIN Ø = 0.70 [0.028]	 19 POSITION 5 AMP MAX. PIN Ø = 0.70 [0.028]	 26 POSITION 2 AMP MAX. PIN Ø = 0.50 [0.020]
CONTACT RESISTANCE = 6 mΩ TEST VOLTAGE = 1450V WORKING VOLTAGE = 500V	CONTACT RESISTANCE = 7.5 mΩ TEST VOLTAGE = 1250V WORKING VOLTAGE = 480V	CONTACT RESISTANCE = 7.5 mΩ TEST VOLTAGE = 1150V WORKING VOLTAGE = 380V	CONTACT RESISTANCE = 7.5 mΩ TEST VOLTAGE = 950V WORKING VOLTAGE = 315V	CONTACT RESISTANCE = 7.5 mΩ TEST VOLTAGE = 950V WORKING VOLTAGE = 315V	CONTACT RESISTANCE = 10 mΩ TEST VOLTAGE = 950V WORKING VOLTAGE = 315V



PANEL CUTOUT

TOLERANCE = +0.10, -0.0
 [+0.004, -0.00]

NOTE

SEE PAGE 2 FOR BOARD LAYOUTS

RoHS COMPLIANT



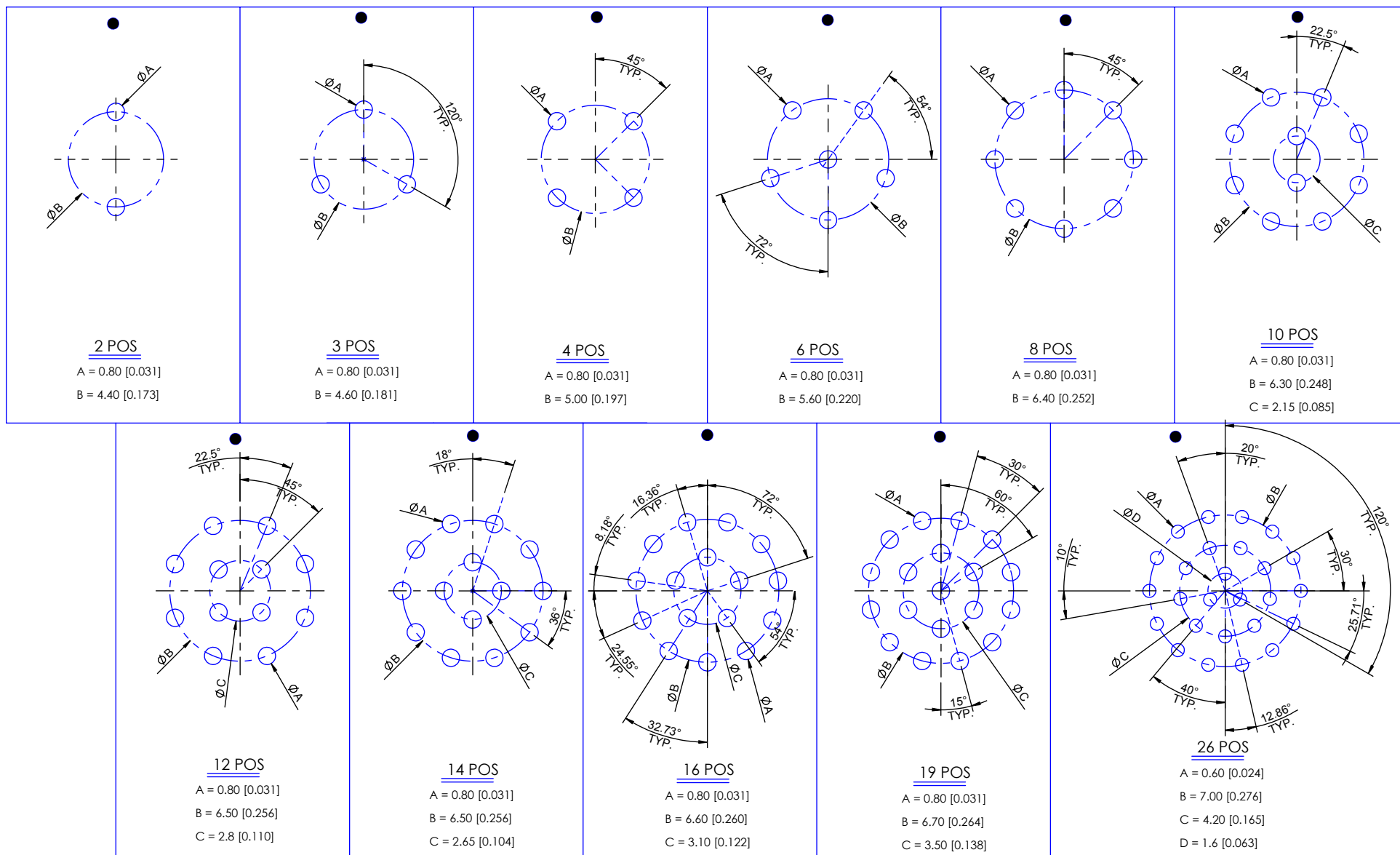
THESE DRAWINGS AND SPECIFICATIONS ARE THE PROPERTY OF NorComp AND SHALL NOT BE REPRODUCED, COPIED OR USED AS THE BASIS FOR THE MANUFACTURE OR SALE OF APPARATUS WITHOUT WRITTEN PERMISSION.

NorComp

DRAWN: M. SIGMON	DATE: 02-10-16	SCALE: N.T.S.	SHEET 1	OF 2	REV: 3
			DWG NO. 822BYYY-213R001		

BOARD LAYOUTS

● = KEY LOCATION



RoHS COMPLIANT



THESE DRAWINGS AND SPECIFICATIONS ARE THE PROPERTY OF NorComp AND SHALL NOT BE REPRODUCED, COPIED OR USED AS THE BASIS FOR THE MANUFACTURE OR SALE OF APPARATUS WITHOUT WRITTEN PERMISSION.

NorComp

DRAWN: M. SIGMON	DATE: 02-10-16	SCALE: N.T.S.	SHEET 2 OF 2	REV: 3
			DWG NO. 822BYYY-213R001	

X-ON Electronics

Largest Supplier of Electrical and Electronic Components

Click to view similar products for [Circular Push Pull Connectors](#) category:

Click to view products by [NorComp](#) manufacturer:

Other Similar products are found below :

[6407-249V-11273P](#) [6408-201V-13273](#) [6408-202V-13343](#) [6408-202V-17343](#) [EZG.0B.309.CLN](#) [FFA.2S.310.ZLA](#) [FGA.1B.307.CYCD72Z](#)
[FGJ.1B.304.CLLD76](#) [FGJ.1B.306.CWLD72](#) [FGJ.3B.304.CYMD10Z](#) [FGJ.3B.304.CYMD82Z](#) [FHG.1B.303.CYCZ](#) [PCS.01.250.DLLE24](#)
[PHG.0K.305.CYMC40Z](#) [PHG.1K.308.CLLK85](#) [PKG.M0.6BL.LZ](#) [PLC.M1.0SL.LA](#) [GMA.10.290.DN](#) [GMA.3B.090.DA](#)
[PRG.M0.6GL.LC52GZ](#) [PSA.1S.275.CTLC66](#) [ABF.1S.250.NTA](#) [133020F](#) [1331ER193MZ](#) [1332M107MZ](#) [DTS26Z19-32JA-LC](#) [DTS26Z19-](#)
[32SA](#) [DTS26Z19-32SA-LC](#) [DTS26Z23-55HA](#) [DTS26Z23-55HA-LC](#) [EAJ.1B.306.CWA](#) [ECG.XB.312.CLL](#) [1589430-2](#) [EEA.0B.305.CLN](#)
[EEA.0B.309.CLL](#) [ELF.00.250.NTL](#) [ERA.01.250.DLL](#) [BRR.2S.200.PZVG](#) [HR10A-P](#) [CAH.M34.SLL.C72GZ](#) [CAJ.M34.SLL.C72GZ](#) [300500](#)
[ESB.00.303.NLL](#) [EXG.0B.309.HLN](#) [FFB.1S.250.CLAC27](#) [FGA.2B.306.CYCD92](#) [FGA.2B.306.CYCD92Z](#) [FGA.XB.312.CLAD72](#)
[FGJ.1B.302.CYMD62](#) [FGJ.3B.308.CLLD72Z](#)