

DESCRIPTION: M5 FEMALE - FRONT PANEL MOUNT - SOLDER CUP - 4 POSITION

NOTE:

MATERIAL

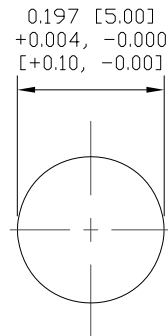
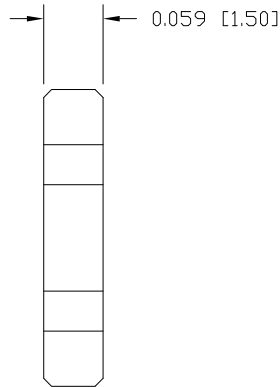
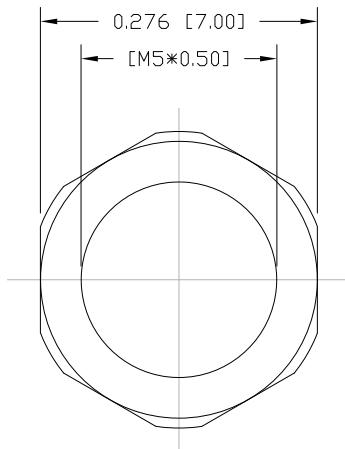
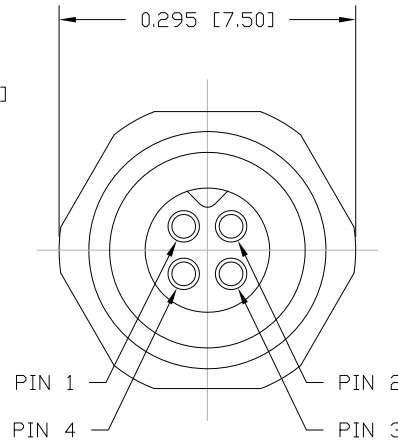
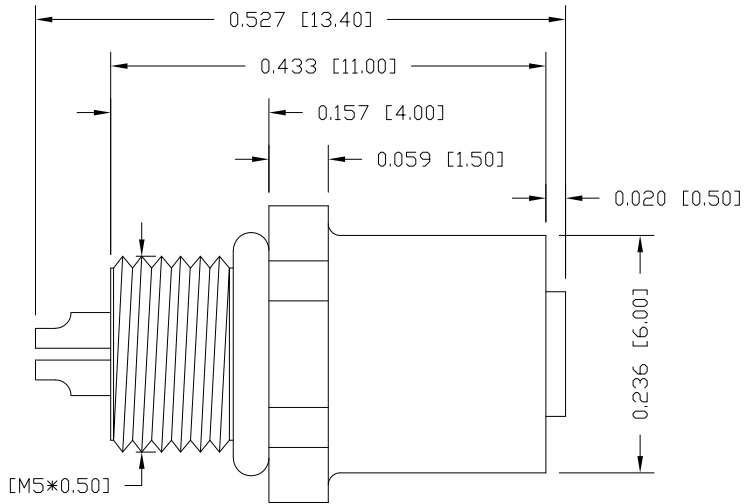
HOUSING: PBT UL94V-0, BLACK  
 CONTACT: BRASS  
 NUT: BRASS  
 SHELL: BRASS  
 O-RING: NBR, BLACK

FINISH

CONTACT: GOLD PLATED  
 OVER 50µ" NICKEL  
 NUT: NICKEL PLATED  
 SHELL: NICKEL PLATED

ELECTRICAL

RATED CURRENT: 1A  
 RATED VOLTAGE: 60V  
 INSULATION RESISTANCE: 100 MΩhms MIN.  
 CONTACT RESISTANCE: 10 mΩhms MAX.  
 WATER PROOF: IP67  
 ENVIRONMENT  
 OPERATION TEMPERATURE: -40°C TO +85°C  
 WIRE GAUGE: 28 AWG MAX RECOMMENDED

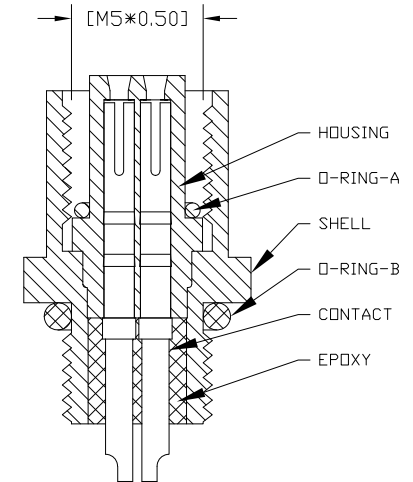


RECOMMEND PANEL CUT-OUT  
 MAX. PANEL THICKNESS: 0.075" [2.00]

NUT

851-004-203R00Y

1 = GOLD FLASH  
 4 = 10µ" GOLD



RoHS COMPLIANT

UNITS = inch [mm]

DO NOT SCALE FROM DRAWING



THESE DRAWINGS AND SPECIFICATIONS ARE THE PROPERTY OF NorComp AND SHALL NOT BE REPRODUCED, COPIED OR USED AS THE BASIS FOR THE MANUFACTURE OR SALE OF APPARATUS WITHOUT WRITTEN PERMISSION.

DRAWN:

M. SIGMON

DATE:

03-04-16

NorComp

SCALE:  
NTS

SHEET OF  
1 1

REV  
6

DWG NO.

851-004-203R00Y

## X-ON Electronics

Largest Supplier of Electrical and Electronic Components

*Click to view similar products for [Circular Metric Connectors](#) category:*

*Click to view products by [NorComp](#) manufacturer:*

Other Similar products are found below :

[600X518037X](#) [6STD15PCR99B70A](#) [8R4000A16M020](#) [8R5000A16M005](#) [1200910002](#) [1203580030](#) [1200910008](#) [1200910011](#) [1300140094](#)  
[130203-0054](#) [1300140026](#) [1300150099](#) [RF-12S1N8A90DU](#) [1-3637-600-5205](#) [1612618](#) [21036836414](#) [8R4006A16M010](#) [1604232](#)  
[1R3006A20M005](#) [RF-12P1N8A90DU](#) [41-40011](#) [42-00006](#) [42-01015](#) [4-22279-4](#) [4-22281-1](#) [4-22284-9](#) [43-00113](#) [43-01088](#) [43-01203](#) [41-](#)  
[40013](#) [42-00008](#) [43-00343](#) [43-01026](#) [43-01162](#) [43-01173](#) [43-10000](#) [XS3P-M421-2](#) [600X518050X](#) [SACC-DSI-FS-5P-PG9-L180 SC](#)  
[8R5006A16M020](#) [8R5006A16M005](#) [8R4000A16M010](#) [6-22279-3](#) [1605332](#) [N03FA03144](#) [1300140077](#) [43-16213](#) [43-01338](#) [XS2RD4265](#)  
[XS2R-D426-1](#)