

NOTE:

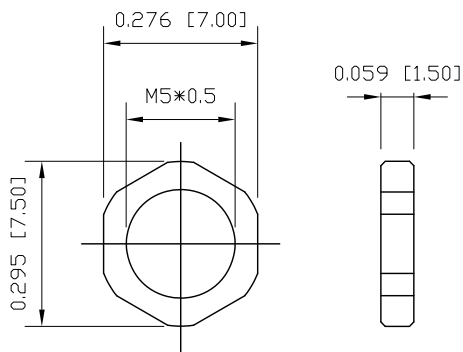
MATERIAL
 HOUSING: PBT UL94V-0, BLACK
 CONTACT: BRASS
 NUT: BRASS
 O-RING: NBR, BLACK
 BACK HOUSING: PBT UL94V-0, BLACK
 DOWN HOUSING: PBT UL94V-0, BLACK

FINISH
 CONTACT: GOLD PLATED
 OVER 50µ" NICKEL
 NUT: NICKEL PLATED

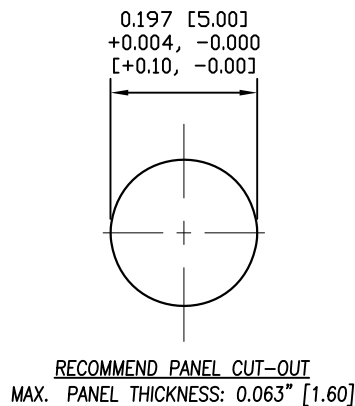
ELECTRICAL
 RATED CURRENT: 1A
 RATED VOLTAGE: 60V
 INSULATION RESISTANCE: 100 MΩhms MIN.
 CONTACT RESISTANCE: 10 mΩhms MAX.
 WATER PROOF: IP67
 ENVIRONMENT
 OPERATION TEMPERATURE: -40°C TO +85°C

853-002-113R00Y

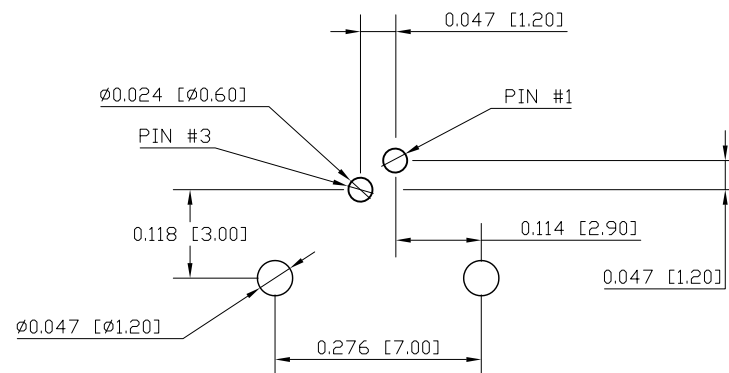
1 = GOLD FLASH
 4 = 10µ" GOLD



NUT



RECOMMEND PANEL CUT-OUT
 MAX. PANEL THICKNESS: 0.063" [1.60]



RECOMMENDED PCB
 LAYOUT

RoHS COMPLIANT

UNITS = INCHES [MM]

DO NOT SCALE FROM DRAWING



THESE DRAWINGS AND SPECIFICATIONS ARE THE PROPERTY OF NorComp AND SHALL NOT BE REPRODUCED, COPIED OR USED AS THE BASIS FOR THE MANUFACTURE OR SALE OF APPARATUS WITHOUT WRITTEN PERMISSION.

DRAWN: M. SIGMON

DATE: 03-03-16

NorComp

SCALE: NTS

SHEET 1 OF 1

REV 7

DWG NO. 853-002-113R00Y

X-ON Electronics

Largest Supplier of Electrical and Electronic Components

Click to view similar products for [Circular Metric Connectors](#) category:

Click to view products by [NorComp](#) manufacturer:

Other Similar products are found below :

[600X518037X](#) [6STD15PCR99B70A](#) [8R4000A16M020](#) [8R5000A16M005](#) [1200910002](#) [1203580030](#) [1200910008](#) [1200910011](#) [1300140094](#)
[130203-0054](#) [1300140026](#) [1300150099](#) [RF-12S1N8A90DU](#) [1-3637-600-5205](#) [1612618](#) [21036836414](#) [8R4006A16M010](#) [1604232](#)
[1R3006A20M005](#) [RF-12P1N8A90DU](#) [41-40011](#) [42-00006](#) [42-01015](#) [4-22279-4](#) [4-22281-1](#) [4-22284-9](#) [43-00113](#) [43-01088](#) [43-01203](#) [41-](#)
[40013](#) [42-00008](#) [43-00343](#) [43-01026](#) [43-01162](#) [43-01173](#) [43-10000](#) [XS3P-M421-2](#) [600X518050X](#) [SACC-DSI-FS-5P-PG9-L180 SC](#)
[8R5006A16M020](#) [8R5006A16M005](#) [8R4000A16M010](#) [6-22279-3](#) [1605332](#) [N03FA03144](#) [1300140077](#) [43-16213](#) [43-01338](#) [XS2RD4265](#)
[XS2R-D426-1](#)