

NOTE:

MATERIAL

M12 INSULATOR PA66, UL94V-0, BLACK
 CONTACT GOLD FLASH PLATED BRASS
 NUT NICKEL PLATED BRASS

ELECTRICAL

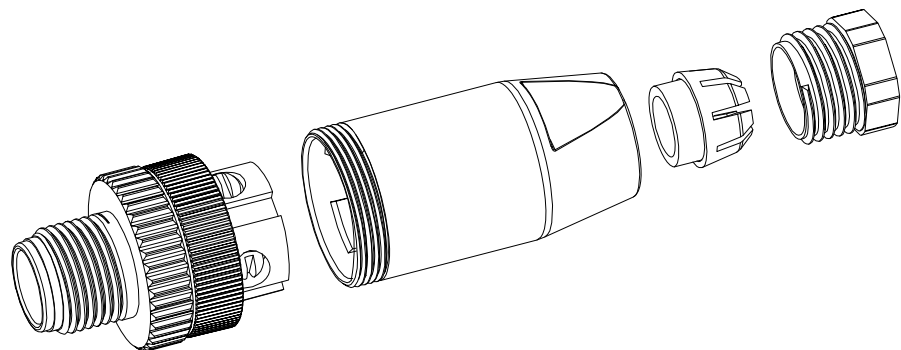
RATED CURRENT 2A(8P) / 4A(4/5P)
 VOLTAGE 30V(8P) / 60V(5P) / 250V(4P)
 INSULATOR RESISTANCE 100 MOhms MIN.
 CONTACT RESISTANCE 10 mOhms MAX.
 MATING CYCLES 100 CYCLES MIN

ENVIRONMENT

OPERATION TEMPERATURE -40°C TO +85°C
 IP RATING IP66

RECOMMENDED TORQUE

0.4Nm TO 0.8Nm



858FYYY-103RAU1

SERIES 858F = M12 FIELD INSTALLABLE
 CONTACT ARRANGEMENT A04 = 4P A-CODE
 A05 = 5P A-CODE
 A08 = 8P A-CODE
 D04 = 4P D-CODE
 B05 = 5P B-CODE
 GENDER 1 = MALE
 CABLE OD A = 4mm-6mm OD
 CONTACT PLATING 1 = GOLD FLASH

MALE

A04	A05	A08	D04	B05

RoHS COMPLIANT

UNITS = mm

DO NOT SCALE FROM DRAWING



THESE DRAWINGS AND SPECIFICATIONS ARE THE PROPERTY OF NorComp AND SHALL NOT BE REPRODUCED, COPIED OR USED AS THE BASIS FOR THE MANUFACTURE OR SALE OF APPARATUS WITHOUT WRITTEN PERMISSION.

DRAWN: J. KADEL
 DATE: 02/04/2022

NorComp

SCALE: NTS	SHEET 1 OF 1	REV 0
DWG NO. 858FYYY-103RAU1		

X-ON Electronics

Largest Supplier of Electrical and Electronic Components

Click to view similar products for [Circular Metric Connectors](#) category:

Click to view products by [NorComp](#) manufacturer:

Other Similar products are found below :

[600X518037X](#) [MA1EAF1200](#) [6STD15PCR99B70A](#) [8R4000A16M020](#) [8R4A00A18M020](#) [8R5000A16M005](#) [1200910008](#) [1200910011](#)
[1300140094](#) [130203-0054](#) [1300150099](#) [RF-12S1N8A90DU](#) [1-3637-600-5205](#) [1612618](#) [8R4006A16M010](#) [8R5006A18A120](#) [1604232](#)
[1R3006A20M005](#) [RF-12P1N8A80DU](#) [RF-12P1N8A90DU](#) [41-01016](#) [41-40011](#) [41-40017](#) [42-01015](#) [4-22279-4](#) [4-22281-1](#) [4-22284-9](#) [43-](#)
[00002](#) [43-01166](#) [41-40005](#) [41-40016](#) [43-00161](#) [43-01191](#) [XS3P-M421-2](#) [600X518050X](#) [SACC-DSI-FS-5P-PG9-L180 SC](#) [8R4006A16A120](#)
[8R4000A16M010](#) [RKC 50/16](#) [1R3004A20A1201](#) [6-22279-3](#) [N03FA03144](#) [1300140077](#) [XS8A-0441](#) [859RD04-103R004](#) [860RD04-113R004](#)
[860RD04-213R004](#) [860-X08-213R004](#) [1-213245-2](#) [2273142-2](#)