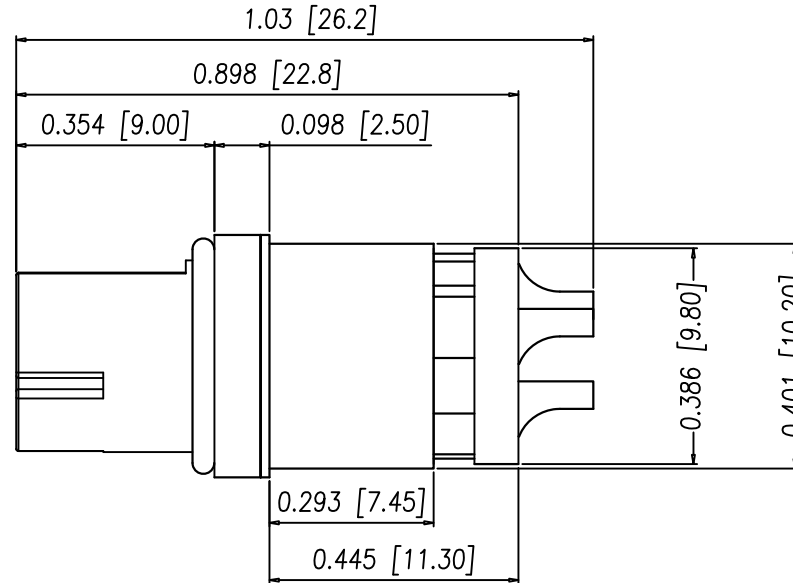
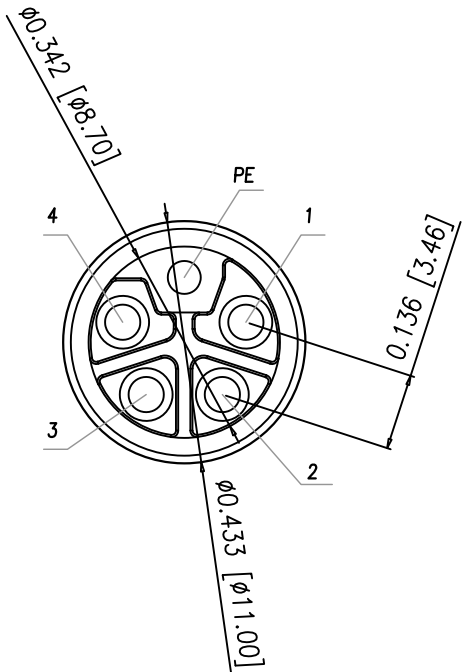


NOTE:

|                        |                                 |
|------------------------|---------------------------------|
| MATERIAL               |                                 |
| HOUSING:               | PA66 UL94V-0, BLACK             |
| CONTACT:               | BRASS                           |
| NUT:                   | BRASS                           |
| O-RING:                | EPDM                            |
| SHELL:                 | BRASS                           |
| FINISH                 |                                 |
| CONTACT:               | 10u" GOLD PLATED<br>OVER NICKEL |
| NUT:                   | NICKEL PLATED                   |
| SHELL:                 | BRIGHT TIN PLATED               |
| ELECTRICAL             |                                 |
| RATED CURRENT:         | 16A                             |
| RATED VOLTAGE:         | 63V                             |
| WATER PROOF:           | IP67                            |
| WIRE AWG:              | 14 AWG MAX                      |
| ENVIRONMENT            |                                 |
| OPERATION TEMPERATURE: | -40°C TO +85°C                  |



858-LP5-203RLSY

- 3 = BRASS/TIN (B/T) SHELL & NUT
- S = STAINLESS STEEL (SS) SHELL & NUT
- T = B/T SHELL & SS NUT
- 1 = GOLD FLASH
- 4 = 10u" GOLD

RoHS COMPLIANT

UNITS = INCHES [MM] DO NOT SCALE FROM DRAWING



THESE DRAWINGS AND SPECIFICATIONS ARE THE PROPERTY OF NorComp AND SHALL NOT BE REPRODUCED, COPIED OR USED AS THE BASIS FOR THE MANUFACTURE OR SALE OF APPARATUS WITHOUT WRITTEN PERMISSION.

DRAWN:

J. KADEL

DATE:

08/01/2018

NorComp

SCALE:  
NTS

SHEET OF  
1 1

REV  
5

DWG NO.

858-LP5-203RLS4

## X-ON Electronics

Largest Supplier of Electrical and Electronic Components

*Click to view similar products for [Circular Metric Connectors](#) category:*

*Click to view products by [NorComp](#) manufacturer:*

Other Similar products are found below :

[600X518037X](#) [6STD15PCR99B70A](#) [8R4000A16M020](#) [8R5000A16M005](#) [1200910002](#) [1203580030](#) [1200910008](#) [1200910011](#) [1300140094](#)  
[130203-0054](#) [1300140026](#) [1300150099](#) [RF-12S1N8A90DU](#) [1-3637-600-5205](#) [1612618](#) [21036836414](#) [8R4006A16M010](#) [1604232](#)  
[1R3006A20M005](#) [RF-12P1N8A90DU](#) [41-40011](#) [42-00006](#) [42-01015](#) [4-22279-4](#) [4-22281-1](#) [4-22284-9](#) [43-00113](#) [43-01088](#) [43-01203](#) [41-](#)  
[40013](#) [42-00008](#) [43-00343](#) [43-01026](#) [43-01162](#) [43-01173](#) [43-10000](#) [XS3P-M421-2](#) [600X518050X](#) [SACC-DSI-FS-5P-PG9-L180 SC](#)  
[8R5006A16M020](#) [8R5006A16M005](#) [8R4000A16M010](#) [6-22279-3](#) [1605332](#) [N03FA03144](#) [1300140077](#) [43-16213](#) [43-01338](#) [XS2RD4265](#)  
[XS2R-D426-1](#)