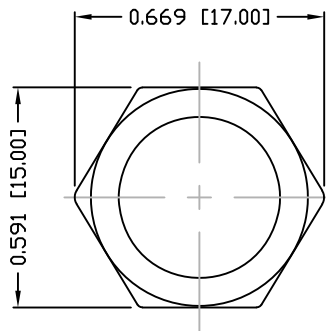
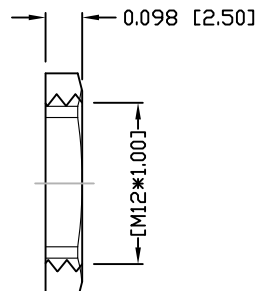


RECOMMENDED PANEL CUTOUT

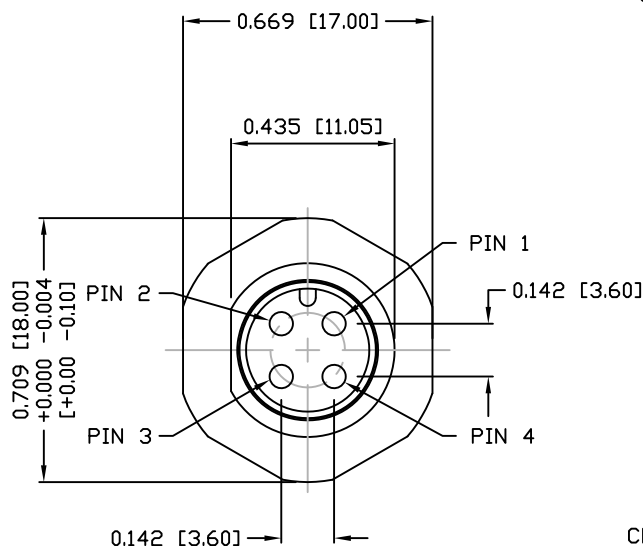
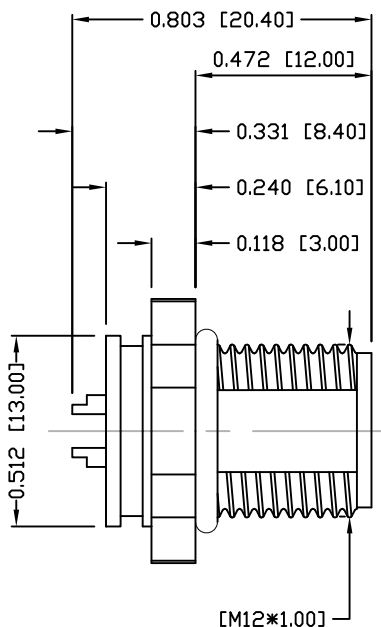


NUT



NOTE:

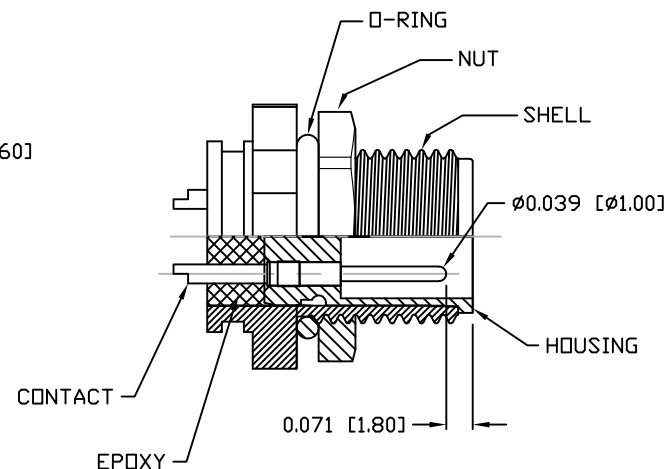
| | |
|------------------------|---------------------------------|
| MATERIAL | |
| HOUSING: | PBT UL94V-0, BLACK |
| CONTACT: | BRASS |
| SHELL: | BRASS |
| NUT: | BRASS |
| O-RING: | EPDM, BLACK |
| FINISH | |
| CONTACT: | GOLD PLATED OVER 50µ" NICKEL |
| SHELL: | NICKEL PLATED OVER ALL |
| NUT: | NICKEL PLATED OVER ALL |
| ELECTRICAL: | |
| RATED CURRENT: | 4A |
| RATED VOLTAGE: | 250V |
| INSULATION RESISTANCE: | 100 MΩhms MIN. |
| CONTACT RESISTANCE: | 10 mΩhms MAX. |
| WATER PROOF: | IP67 |
| ENVIRONMENT: | |
| OPERATION TEMPERATURE: | -40°C TO +85°C |
| MAX WIRE AWG: | 22 |



859-004-103R00Y

3 = BRASS/NICKEL SHELL & NUT
S = STAINLESS STEEL SHELL & NUT

1 = GOLD FLASH
4 = 10µ" GOLD



RoHS COMPLIANT

UNITS = INCHES [MM]

DO NOT SCALE FROM DRAWING



THESE DRAWINGS AND SPECIFICATIONS ARE THE PROPERTY OF NorComp AND SHALL NOT BE REPRODUCED, COPIED OR USED AS THE BASIS FOR THE MANUFACTURE OR SALE OF APPARATUS WITHOUT WRITTEN PERMISSION.

DRAWN: M. SIGMON

DATE: 03-07-16

NorComp

SCALE: NTS
DWG NO.

SHEET 1 OF 1

REV 5

859-004-103R00Y

X-ON Electronics

Largest Supplier of Electrical and Electronic Components

Click to view similar products for [Circular Metric Connectors](#) category:

Click to view products by [NorComp](#) manufacturer:

Other Similar products are found below :

[600X518037X](#) [MA1EAF1200](#) [6STD15PCR99B70A](#) [8R4000A16M020](#) [8R4A00A18M020](#) [8R5000A16M005](#) [1200910008](#) [1200910011](#)
[1300140094](#) [130203-0054](#) [1300150099](#) [RF-12S1N8A90DU](#) [1-3637-600-5205](#) [1612618](#) [8R4006A16M010](#) [8R5006A18A120](#) [1604232](#)
[1R3006A20M005](#) [RF-12P1N8A80DU](#) [RF-12P1N8A90DU](#) [41-01016](#) [41-40011](#) [41-40017](#) [42-01015](#) [4-22279-4](#) [4-22281-1](#) [4-22284-9](#) [43-](#)
[00002](#) [43-01166](#) [41-40005](#) [41-40016](#) [43-00161](#) [43-01191](#) [XS3P-M421-2](#) [600X518050X](#) [SACC-DSI-FS-5P-PG9-L180 SC](#) [8R4006A16A120](#)
[8R4000A16M010](#) [RKC 50/16](#) [1R3004A20A1201](#) [6-22279-3](#) [N03FA03144](#) [1300140077](#) [XS8A-0441](#) [859RD04-103R004](#) [860RD04-113R004](#)
[860RD04-213R004](#) [860-X08-213R004](#) [1-213245-2](#) [2273142-2](#)