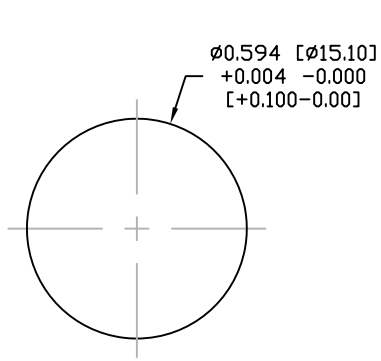
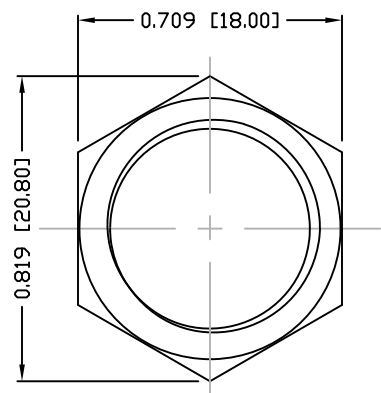


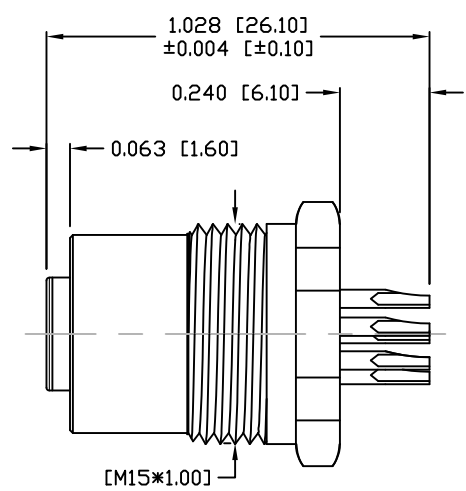
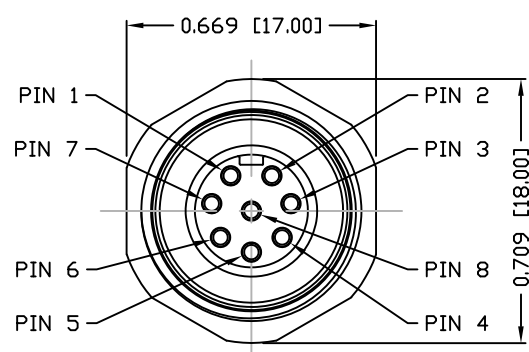
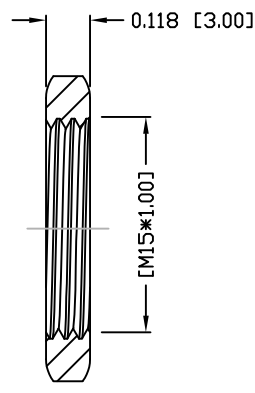
DESCRIPTION: M12 FEMALE - PANEL MOUNT (REAR) - SOLDER CUP - 8 POS.



PANEL CUTOUT



NUT

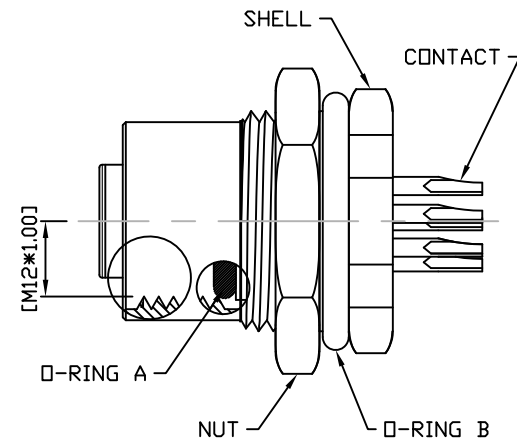


NOTE:

MATERIAL	
HOUSING:	PBT UL94V-0, BLACK
CONTACT:	BRASS
SHELL:	BRASS
NUT:	BRASS
O-RING A:	EPDM, BLACK
O-RING B:	EPDM, BLACK
FINISH	
CONTACT:	GOLD PLATED
UNDER PLATE:	NICKEL
SHELL:	NICKEL PLATED
NUT:	NICKEL PLATED
ELECTRICAL	
RATED CURRENT:	2A
RATED VOLTAGE:	30V
INSULATION RESISTANCE:	100 M Ω hms MIN.
CONTACT RESISTANCE:	10 m Ω hms MAX.
WATER PROOF:	IP67
ENVIRONMENT	
OPERATION TEMPERATURE:	-40°C TO +85°C
MAX WIRE AWG:	24

859-008-203R00Y

- 3 = BRASS/NICKEL SHELL & NUT
- S = STAINLESS STEEL SHELL & NUT
- 1 = GOLD FLASH
- 4 = 10 μ " GOLD



RoHS COMPLIANT

UNITS = INCHES [MM]

DO NOT SCALE FROM DRAWING



THESE DRAWINGS AND SPECIFICATIONS ARE THE PROPERTY OF NorComp AND SHALL NOT BE REPRODUCED, COPIED OR USED AS THE BASIS FOR THE MANUFACTURE OR SALE OF APPARATUS WITHOUT WRITTEN PERMISSION.

DRAWN:	M. SIGMON	DATE:	03-07-16
--------	-----------	-------	----------

NorComp

SCALE:	NTS	SHEET	1	OF	1	REV	3
DWG NO.	859-008-203R00Y						

X-ON Electronics

Largest Supplier of Electrical and Electronic Components

Click to view similar products for [Circular Metric Connectors](#) category:

Click to view products by [NorComp](#) manufacturer:

Other Similar products are found below :

[600X518037X](#) [6STD15PCR99B70A](#) [8R4000A16M020](#) [8R5000A16M005](#) [1200910002](#) [1203580030](#) [1200910008](#) [1200910011](#) [1300140094](#)
[130203-0054](#) [1300140026](#) [1300150099](#) [RF-12S1N8A90DU](#) [1-3637-600-5205](#) [1612618](#) [21036836414](#) [8R4006A16M010](#) [1604232](#)
[1R3006A20M005](#) [RF-12P1N8A90DU](#) [41-40011](#) [42-00006](#) [42-01015](#) [4-22279-4](#) [4-22281-1](#) [4-22284-9](#) [43-00113](#) [43-01088](#) [43-01203](#) [41-](#)
[40013](#) [42-00008](#) [43-00343](#) [43-01026](#) [43-01162](#) [43-01173](#) [43-10000](#) [XS3P-M421-2](#) [600X518050X](#) [SACC-DSI-FS-5P-PG9-L180 SC](#)
[8R5006A16M020](#) [8R5006A16M005](#) [8R4000A16M010](#) [6-22279-3](#) [1605332](#) [N03FA03144](#) [1300140077](#) [43-16213](#) [43-01338](#) [XS2RD4265](#)
[XS2R-D426-1](#)