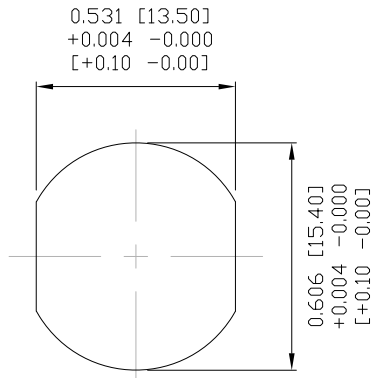


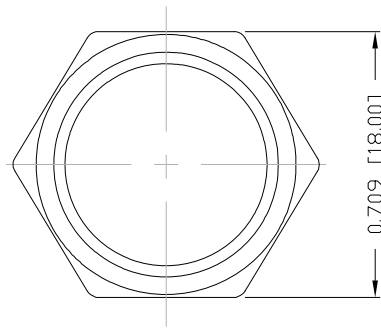
DESCRIPTION: M12 MALE - BOARD MOUNT - 5 POS.

NOTE:

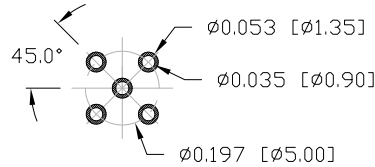
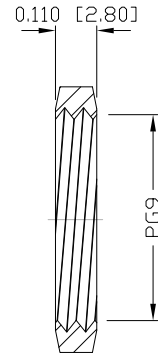
MATERIAL
 HOUSING: PBT UL94V-0, BLACK
 CONTACT: BRASS
 SHELL: BRASS
 NUT: BRASS
 O-RING A: EPDM, BLACK
 O-RING B: NBR
 FINISH
 CONTACT: GOLD PLATED
 OVER 50µ" NICKEL
 SHELL: NICKEL PLATED
 NUT: NICKEL PLATED
 ELECTRICAL
 RATED CURRENT: 4A
 RATED VOLTAGE: 60V
 INSULATION RESISTANCE: 100 MΩhms MIN.
 CONTACT RESISTANCE: 10 mΩhms MAX.
 WATER PROOF: IP67
 ENVIRONMENT
 OPERATION TEMPERATURE: -40°C TO +85°C



PANEL CUTOUT



NUT

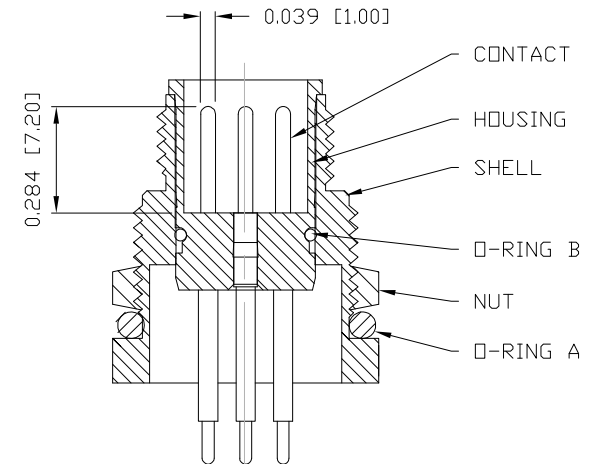
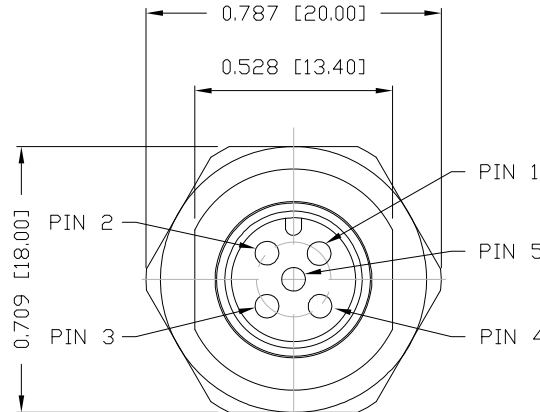
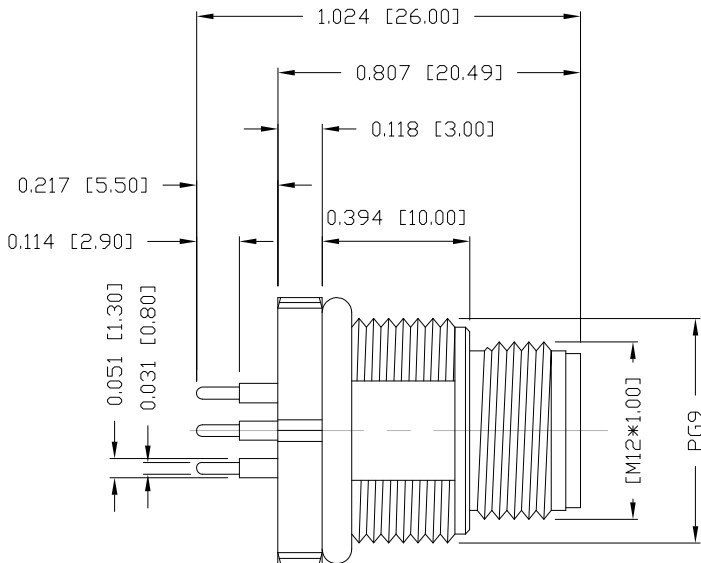


PCB LAYOUT

860-005-113R00Y

3 = BRASS/NICKEL SHELL & NUT
 S = STAINLESS STEEL SHELL & NUT

1 = GOLD FLASH
 4 = 10µ" GOLD



RoHS COMPLIANT

UNITS = INCHES [MM]

DO NOT SCALE FROM DRAWING



THESE DRAWINGS AND SPECIFICATIONS ARE THE PROPERTY OF NorComp AND SHALL NOT BE REPRODUCED, COPIED OR USED AS THE BASIS FOR THE MANUFACTURE OR SALE OF APPARATUS WITHOUT WRITTEN PERMISSION.

DRAWN: M. SIGMON

DATE: 03-07-16

NorComp

SCALE: NTS

SHEET 1 OF 1

REV 4

DWG NO. 860-005-113R00Y

X-ON Electronics

Largest Supplier of Electrical and Electronic Components

Click to view similar products for [Circular Metric Connectors](#) category:

Click to view products by [NorComp](#) manufacturer:

Other Similar products are found below :

[600X518037X](#) [6STD15PCR99B70A](#) [8R4000A16M020](#) [8R5000A16M005](#) [1200910002](#) [1203580030](#) [1200910008](#) [1200910011](#) [1300140094](#)
[130203-0054](#) [1300140026](#) [1300150099](#) [RF-12S1N8A90DU](#) [1-3637-600-5205](#) [1612618](#) [21036836414](#) [8R4006A16M010](#) [1604232](#)
[1R3006A20M005](#) [RF-12P1N8A90DU](#) [41-40011](#) [42-00006](#) [42-01015](#) [4-22279-4](#) [4-22281-1](#) [4-22284-9](#) [43-00113](#) [43-01088](#) [43-01203](#) [41-](#)
[40013](#) [42-00008](#) [43-00343](#) [43-01026](#) [43-01162](#) [43-01173](#) [43-10000](#) [XS3P-M421-2](#) [600X518050X](#) [SACC-DSI-FS-5P-PG9-L180 SC](#)
[8R5006A16M020](#) [8R5006A16M005](#) [8R4000A16M010](#) [6-22279-3](#) [1605332](#) [N03FA03144](#) [1300140077](#) [43-16213](#) [43-01338](#) [XS2RD4265](#)
[XS2R-D426-1](#)