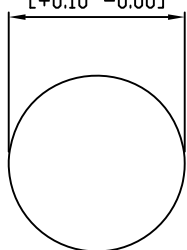
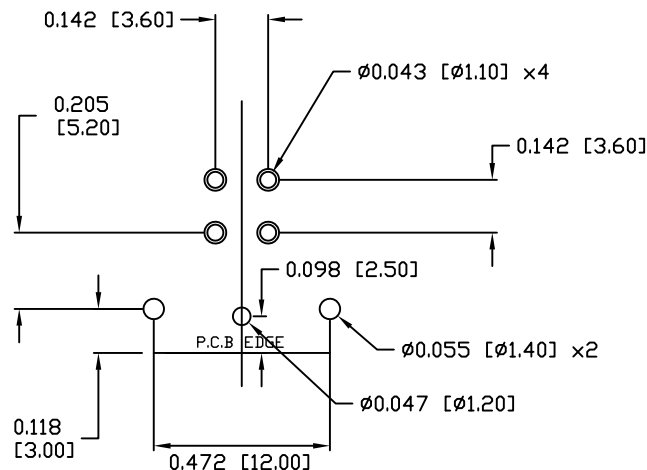


0.472 [12.00]  
+0.004 -0.000  
[+0.10 -0.00]



PANEL CUT-OUT



P.C.B. LAYOUT

NOTE:

MATERIAL

HOUSING: PBT UL94V-0, BLACK  
CONTACT: BRASS  
NUT: BRASS  
O-RING: EPDM, BLACK  
BACK HOUSING: PBT, UL94V-0, BLACK  
DOWN HOUSING: PBT, UL94V-0, BLACK

FINISH

CONTACT: GOLD PLATED  
OVER 50µ" NICKEL  
NUT: NICKEL PLATED  
60µ" TO 100µ"  
SHELL: NICKEL PLATED  
60µ" TO 100µ"

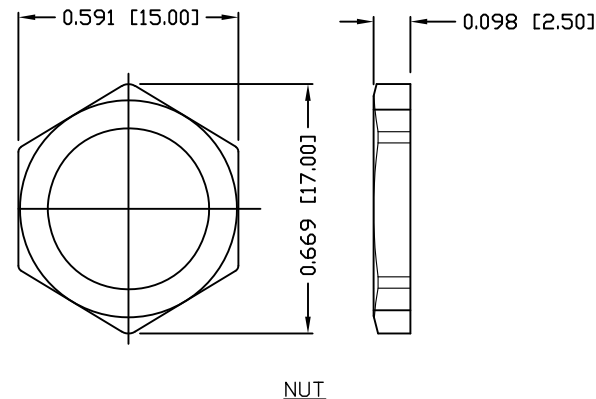
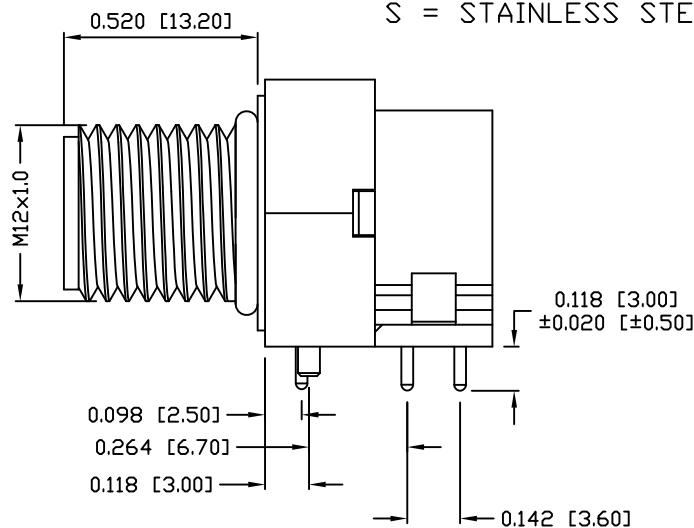
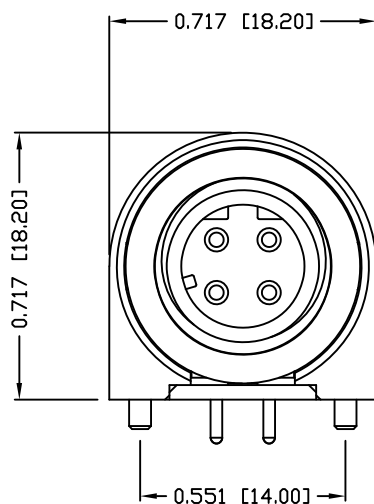
ELECTRICAL

RATED CURRENT: 4A  
RATED VOLTAGE: 250V  
INSULATION RESISTANCE: 100 MΩhms MIN.  
CONTACT RESISTANCE: 10 mΩhms MAX.  
WATER PROOF: IP67  
ENVIRONMENT  
OPERATION TEMPERATURE: -40°C TO +85°C

861-D04-113R00Y

3 = BRASS/NICKEL SHELL & NUT  
S = STAINLESS STEEL SHELL & NUT

1 = GOLD FLASH  
4 = 10µ" GOLD



RoHS COMPLIANT

UNITS = INCHES [MM]

DO NOT SCALE FROM DRAWING



THESE DRAWINGS AND SPECIFICATIONS ARE THE PROPERTY OF NorComp AND SHALL NOT BE REPRODUCED, COPIED OR USED AS THE BASIS FOR THE MANUFACTURE OR SALE OF APPARATUS WITHOUT WRITTEN PERMISSION.

DRAWN:

M. SIGMON

DATE:

07-26-16

NorComp

SCALE:

NTS

SHEET

1

OF

1

REV

2

DWG NO.

861-D04-113R00Y

## X-ON Electronics

Largest Supplier of Electrical and Electronic Components

*Click to view similar products for [Circular Metric Connectors](#) category:*

*Click to view products by [NorComp](#) manufacturer:*

Other Similar products are found below :

[600X518037X](#) [MA1EAF1200](#) [6STD15PCR99B70A](#) [8R4000A16M020](#) [8R4A00A18M020](#) [8R5000A16M005](#) [1200910008](#) [1200910011](#)  
[1300140094](#) [130203-0054](#) [1300150099](#) [RF-12S1N8A90DU](#) [1-3637-600-5205](#) [1612618](#) [8R4006A16M010](#) [8R5006A18A120](#) [1604232](#)  
[1R3006A20M005](#) [RF-12P1N8A80DU](#) [RF-12P1N8A90DU](#) [41-01016](#) [41-40011](#) [41-40017](#) [42-01015](#) [4-22279-4](#) [4-22281-1](#) [4-22284-9](#) [43-](#)  
[00002](#) [43-01166](#) [41-40005](#) [41-40016](#) [43-00161](#) [43-01191](#) [XS3P-M421-2](#) [600X518050X](#) [SACC-DSI-FS-5P-PG9-L180 SC](#) [8R4006A16A120](#)  
[8R4000A16M010](#) [RKC 50/16](#) [1R3004A20A1201](#) [6-22279-3](#) [N03FA03144](#) [1300140077](#) [XS8A-0441](#) [859RD04-103R004](#) [860RD04-113R004](#)  
[860RD04-213R004](#) [860-X08-213R004](#) [1-213245-2](#) [2273142-2](#)