

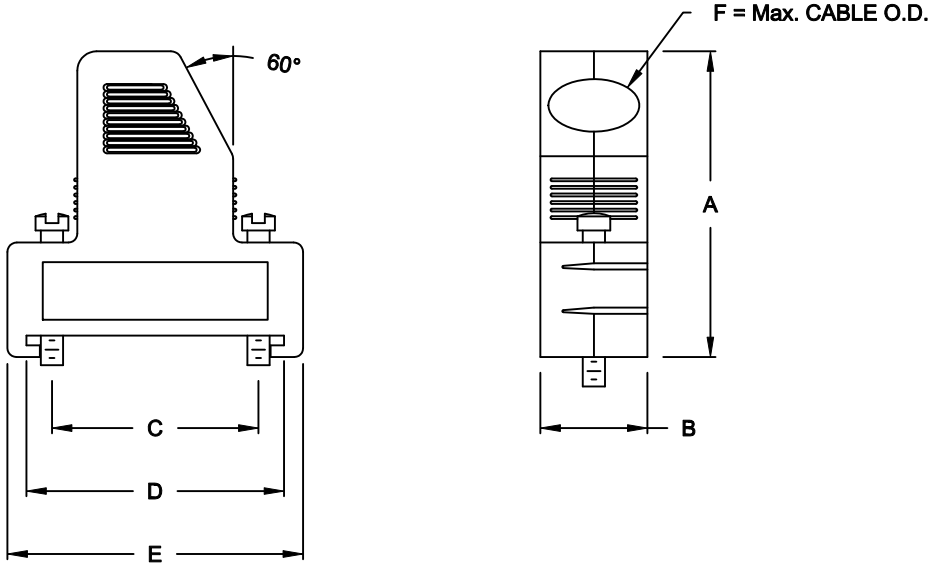
DESCRIPTION: 60° ENTRY - BLACK PLASTIC

SPECIFICATIONS:

MATERIAL: POLYAMID UL-RECOGNIZED
UL 94-HB

BACKSHELL KIT INCLUDES:

- (2) BACKSHELL HALVES
- (1) STRAIN RELIEF CLAMP
- (2) STRAIN RELIEF SCREWS
- (2) JACKSCREWS



| DIMENSIONS (IN.) | | | | | | |
|------------------|-------|-------|-------|-------|-------|-------|
| No. OF PINS | A | B | C | D | E | F |
| 09 | 1.457 | 0.496 | 0.984 | 1.228 | 1.409 | 0.315 |
| 15 | 1.496 | 0.496 | 1.311 | 1.555 | 1.736 | 0.315 |
| 25 | 1.614 | 0.496 | 1.854 | 2.098 | 2.280 | 0.354 |
| 37 | 1.614 | 0.496 | 2.500 | 2.744 | 2.925 | 0.354 |

950-YYY-010R011

SERIES _____

POSITIONS _____

009 _____

015 _____

025 _____

037 _____

MATERIAL _____

010 = PLASTIC _____

RoHS COMPLIANT _____

R = HIGH TEMP. PROCESS _____

COLOR _____

01 = BLACK _____

PUT-UP _____

1 = KIT _____

DO NOT SCALE FROM DRAWING

| | | | | |
|----------------|---|-----------------------------------|----------------------------------|--------------------------|
| | THESE DRAWINGS AND SPECIFICATIONS ARE THE PROPERTY OF NorComp AND SHALL NOT BE REPRODUCED, COPIED OR USED AS THE BASIS FOR THE MANUFACTURE OF SALE OF APPARATUS WITHOUT WRITTEN PERMISSION. | | DRAWN: C. SMITH | DATE: 03-26-07 |
| | | | CHECKED: | DATE: |
| NorComp | | SCALE: 1 : 1 | SHEET 1 OF 1 | REV 2 |
| | | DWG NO. 950-YYY-010R011 | | |

RoHS COMPLIANT

X-ON Electronics

Largest Supplier of Electrical and Electronic Components

Click to view similar products for [D-Sub Backshells](#) category:

Click to view products by [NorComp](#) manufacturer:

Other Similar products are found below :

[600X51137X](#) [600X54009X](#) [66241-12A](#) [M85049/6-38N](#) [M85049/86-12N03](#) [M85049/90-13P03](#) [70.350.0636.4](#) [70.350.2435.1](#) [72.350.1035.2](#)
[72.352.2435.1](#) [73.359.4035.3](#) [829472-1](#) [PCS-E20W](#) [970-015-040R011](#) [971-009-030R121](#) [971-009-040R011](#) [971-015-040R011](#) [DPH-B-003](#)
[1437013-9](#) [1484402-8](#) [156-3025-EX](#) [16-500800](#) [165X02659X](#) [165X03329A](#) [165X03399A](#) [165X10259X](#) [165X11359X](#) [165X11759X](#)
[165X11889X](#) [165X11899X](#) [165X13019X](#) [165X13029X](#) [165X13169X](#) [165X13199X](#) [165X13239X](#) [165X13389X](#) [165X13489X](#)
[165X14219X](#) [165X14429X](#) [165X14449X](#) [165X17409X](#) [165X17439X](#) [165X17569X](#) [165X17599X](#) [165X17609X](#) [165X17889X](#)
[165X17979X](#) [L171373](#) [971-025-030R121](#) [300X10989X](#)