

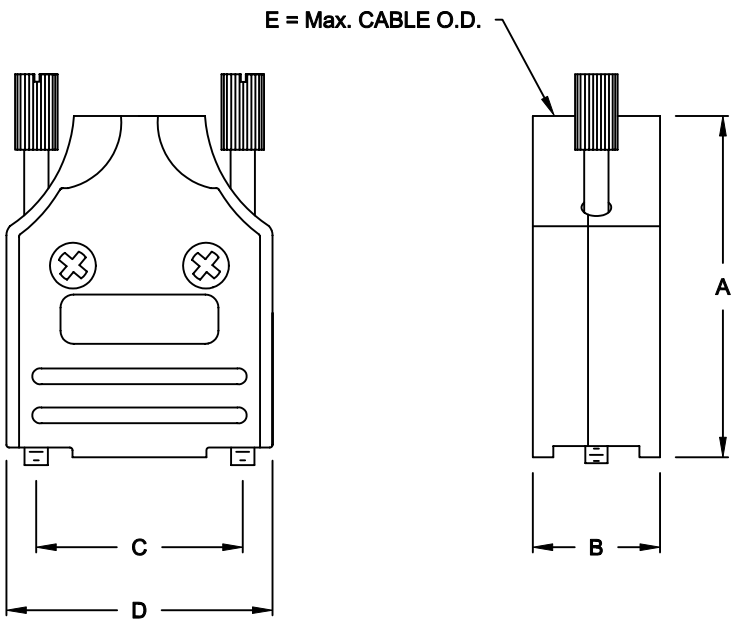
DESCRIPTION: TOP ENTRY - DIE CAST

SPECIFICATION:

MATERIAL: ZINC, NICKEL PLATED,
COPPER UNDER PLATE

BACKSHELL KIT INCLUDES:

- (2) BACKSHELL HALVES
- (2) STRAIN RELIEF CLAMPS
- (2) STRAIN RELIEF SCREWS
- (2) MOUNTING SCREWS
- (2) THUMBSCREWS
- (3-SETS) METALIZED PLASTIC INSERTS



952-YYY-030R121

SERIES _____
 POSITIONS _____
 009 _____
 015 _____
 025 _____
 037 _____
 MATERIAL _____
 030 = DIE CAST (NICKEL)
 RoHS COMPLIANT _____
 R = HIGH TEMP. PROCESS
 COLOR _____
 12 = NICKEL OVER COPPER
 PUT-UP _____
 1 = KIT

DIMENSIONS (IN.)

No. OF PINS	A	B	C	D	E
09	1.626	0.606	0.984	1.268	0.512
15	1.705	0.606	1.312	1.598	0.512
25	1.949	0.606	1.852	2.146	0.512
37	2.138	0.606	2.500	2.783	0.512

DO NOT SCALE FROM DRAWING



THESE DRAWINGS AND SPECIFICATIONS ARE THE PROPERTY OF NorComp AND SHALL NOT BE REPRODUCED, COPIED OR USED AS THE BASIS FOR THE MANUFACTURE OF SALE OF APPARATUS WITHOUT WRITTEN PERMISSION.

DRAWN: **C. SMITH** DATE: **03-29-07**
 CHECKED: DATE:

NorComp

SCALE: **1:1** SHEET **1** OF **1** REV **0**
 DWG NO. **952-YYY-030R121**

RoHS COMPLIANT

X-ON Electronics

Largest Supplier of Electrical and Electronic Components

Click to view similar products for [D-Sub Backshells](#) category:

Click to view products by [NorComp](#) manufacturer:

Other Similar products are found below :

[600X51137X](#) [600X54009X](#) [66241-12A](#) [M85049/6-38N](#) [M85049/86-12N03](#) [M85049/90-13P03](#) [70.350.0636.4](#) [70.350.2435.1](#) [72.350.1035.2](#)
[72.352.2435.1](#) [73.359.4035.3](#) [829472-1](#) [PCS-E20W](#) [970-015-040R011](#) [971-009-030R121](#) [971-009-040R011](#) [971-015-040R011](#) [DPH-B-003](#)
[1437013-9](#) [1484402-8](#) [156-3025-EX](#) [16-500800](#) [165X02659X](#) [165X03329A](#) [165X03399A](#) [165X10259X](#) [165X11359X](#) [165X11759X](#)
[165X11889X](#) [165X11899X](#) [165X13019X](#) [165X13029X](#) [165X13169X](#) [165X13199X](#) [165X13239X](#) [165X13389X](#) [165X13489X](#)
[165X14219X](#) [165X14429X](#) [165X14449X](#) [165X17409X](#) [165X17439X](#) [165X17569X](#) [165X17599X](#) [165X17609X](#) [165X17889X](#)
[165X17979X](#) [L171373](#) [971-025-030R121](#) [300X10989X](#)