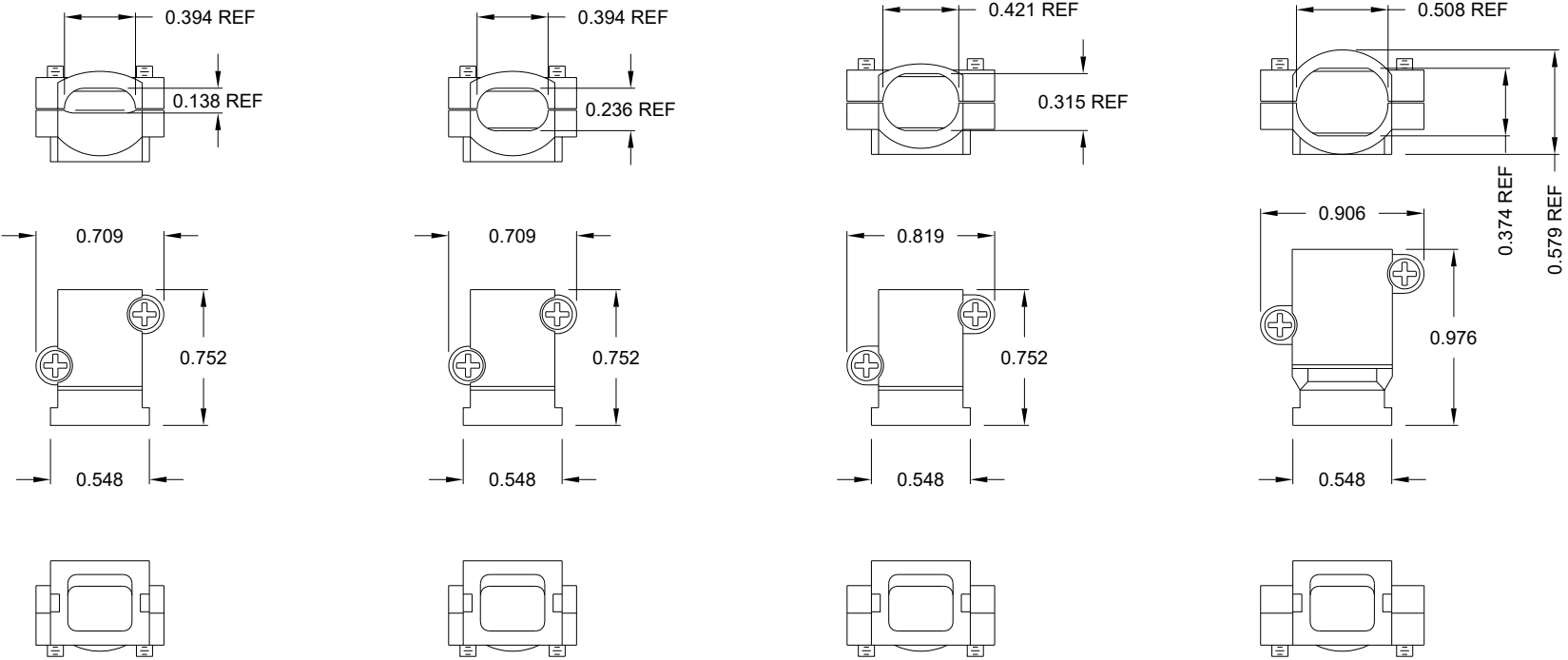


CABLE CLAMPS ORDERED SEPARATELY

TOLERANCES  
±0.008"



P/N 955-09-SR-4-7 CABLE RANGE = 0.157 - 0.276 (MIN - MAX)    P/N 955-15-SR-7-10 CABLE RANGE = 0.276 - 0.394 (MIN - MAX)    P/N 955-25-SR-9-12 CABLE RANGE = 0.354 - 0.472 (MIN - MAX)    P/N 955-37-SR-11-14 CABLE RANGE = 0.433 - 0.551 (MIN - MAX)

(2x) M2.5x0.45 SCREWS INCLUDED

RoHS COMPLIANT

UNITS = inches DO NOT SCALE FROM DRAWING

**NC**

THESE DRAWINGS AND SPECIFICATIONS ARE THE PROPERTY OF NorComp AND SHALL NOT BE REPRODUCED, COPIED OR USED AS THE BASIS FOR THE MANUFACTURE OR SALE OF APPARATUS WITHOUT WRITTEN PERMISSION.

DRAWN: C. SMITH  
DATE: 04/10/2007

**NorComp**

SCALE: NTS    SHEET 1 OF 1    REV 3

DWG NO. 955-YY-SR-Y-Y

## X-ON Electronics

Largest Supplier of Electrical and Electronic Components

*Click to view similar products for [D-Sub Backshells](#) category:*

*Click to view products by [NorComp](#) manufacturer:*

Other Similar products are found below :

[600X54009X](#) [600X56025X](#) [M85049/86-12N03](#) [70.350.0636.4](#) [70.350.2435.1](#) [72.350.1035.2](#) [72.352.2435.1](#) [73.359.4035.3](#) [829472-1](#) [PCS-E20W](#) [971-009-040R011](#) [971-015-040R011](#) [975T015-020R121](#) [DD19678-4](#) [DD-C4-J13-S1](#) [DPH-B-003](#) [165X02659X](#) [165X10899X](#) [165X11359X](#) [165X11689X](#) [165X13169X](#) [165X13199X](#) [165X13449X](#) [165X14219X](#) [165X14449X](#) [L171373](#) [971-037-040R011](#) [300X11139X](#) [975T025-020R121](#) [165X00809X](#) [165X11279X](#) [165X11629XE](#) [165X11699X](#) [165X11789X](#) [165X14029X](#) [165X17189X](#) [165X17559X](#) [300X10179X](#) [500-047M37H](#) [500E012J37H](#) [500S010M37H09](#) [500S010M51H10](#) [500T010E15B07](#) [500T010J09H05](#) [500T010J21H08](#) [500T010M09B07](#) [500T010M09F08B](#) [500T010M15E08B](#) [500T010M15F05B](#) [500T010M15H08L](#)