

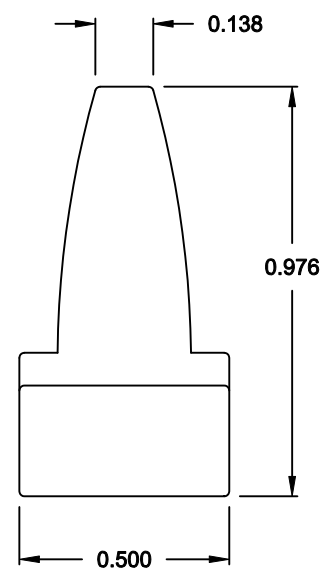
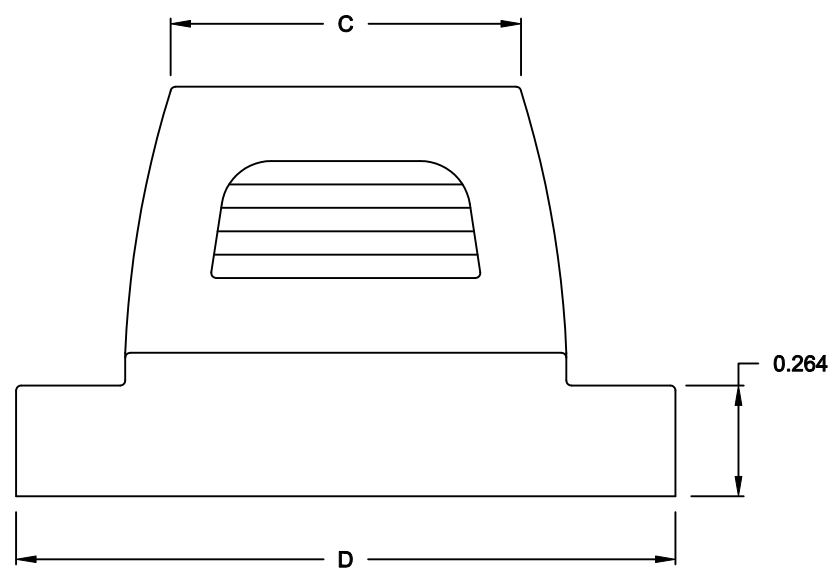
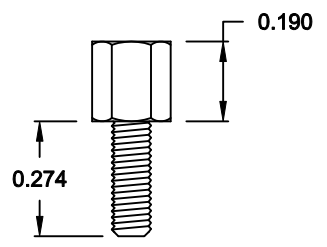
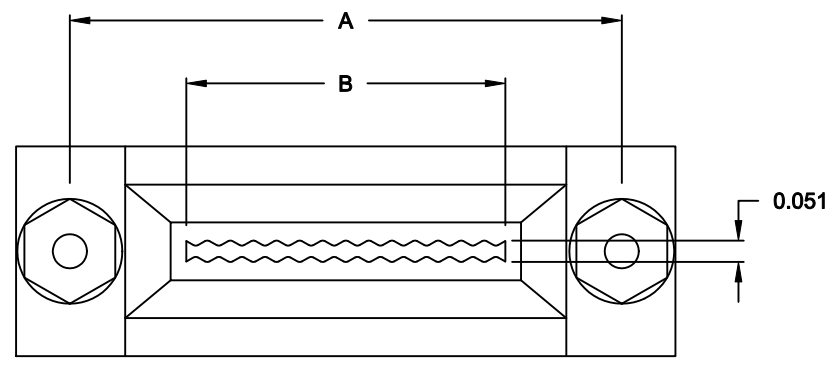
DESCRIPTION: FLAT CABLE BACK SHELL

No. OF CKTS.	DIMENSIONS (IN.)			
	A	B	C	D
09	0.984	0.492	0.531	1.276
15	1.315	0.780	0.835	1.571
25	1.850	1.307	1.386	2.102

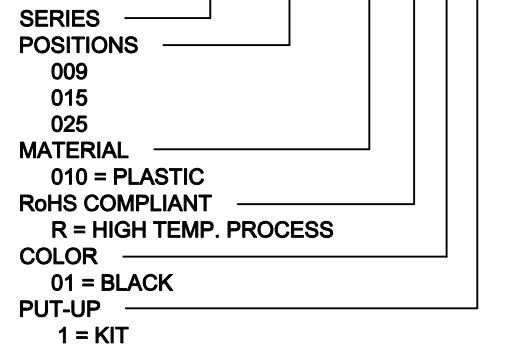
MATERIAL: ABS PLATIC, BLACK

**KIT INCLUDES:**

- (1) BACKSHELL (SLIP-ON)
- (2) 4-40 FEMALE SCREWLOCKS



**958-YYY-010R011**



FOR CLARITY  
HIDDEN LINES  
NOT SHOWN

DO NOT SCALE FROM DRAWING

RoHS COMPLIANT

	THESE DRAWINGS AND SPECIFICATIONS ARE THE PROPERTY OF NorComp AND SHALL NOT BE REPRODUCED, COPIED OR USED AS THE BASIS FOR THE MANUFACTURE OF SALE OF APPARATUS WITHOUT WRITTEN PERMISSION.		DRAWN: <b>C. SMITH</b>	DATE: <b>02-19-08</b>
			CHECKED:	DATE:
<b>NorComp</b>		SCALE: <b>2 : 1</b>	SHEET <b>1</b> OF <b>1</b>	REV <b>0</b>
		DWG NO. <b>958-YYY-010R011</b>		

## X-ON Electronics

Largest Supplier of Electrical and Electronic Components

*Click to view similar products for [D-Sub Backshells](#) category:*

*Click to view products by [NorComp](#) manufacturer:*

Other Similar products are found below :

[600X51137X](#) [600X54009X](#) [66241-12A](#) [M85049/6-38N](#) [M85049/86-12N03](#) [M85049/90-13P03](#) [70.350.0636.4](#) [70.350.2435.1](#) [72.350.1035.2](#)  
[72.352.2435.1](#) [73.359.4035.3](#) [829472-1](#) [PCS-E20W](#) [970-015-040R011](#) [971-009-030R121](#) [971-009-040R011](#) [971-015-040R011](#) [DPH-B-003](#)  
[1437013-9](#) [1484402-8](#) [156-3025-EX](#) [16-500800](#) [165X02659X](#) [165X03329A](#) [165X03399A](#) [165X10259X](#) [165X11359X](#) [165X11759X](#)  
[165X11889X](#) [165X11899X](#) [165X13019X](#) [165X13029X](#) [165X13169X](#) [165X13199X](#) [165X13239X](#) [165X13389X](#) [165X13489X](#)  
[165X14219X](#) [165X14429X](#) [165X14449X](#) [165X17409X](#) [165X17439X](#) [165X17569X](#) [165X17599X](#) [165X17609X](#) [165X17889X](#)  
[165X17979X](#) [L171373](#) [971-025-030R121](#) [300X10989X](#)