

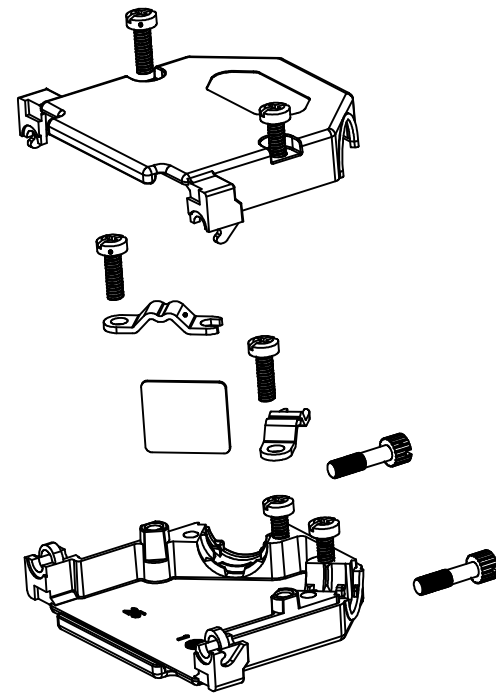
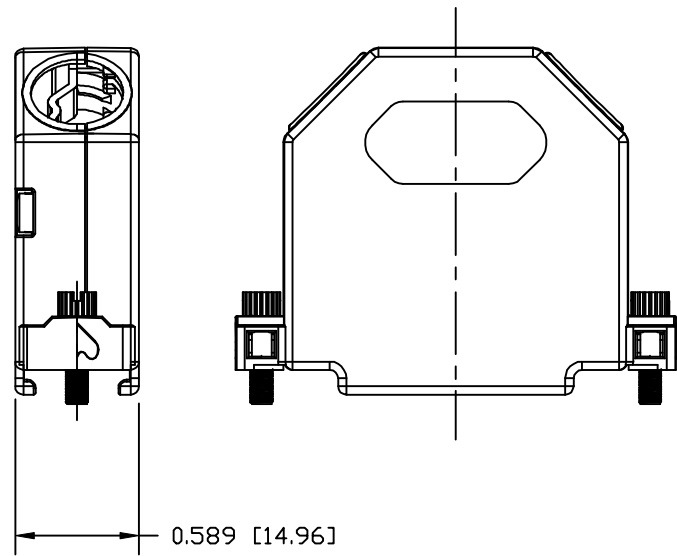
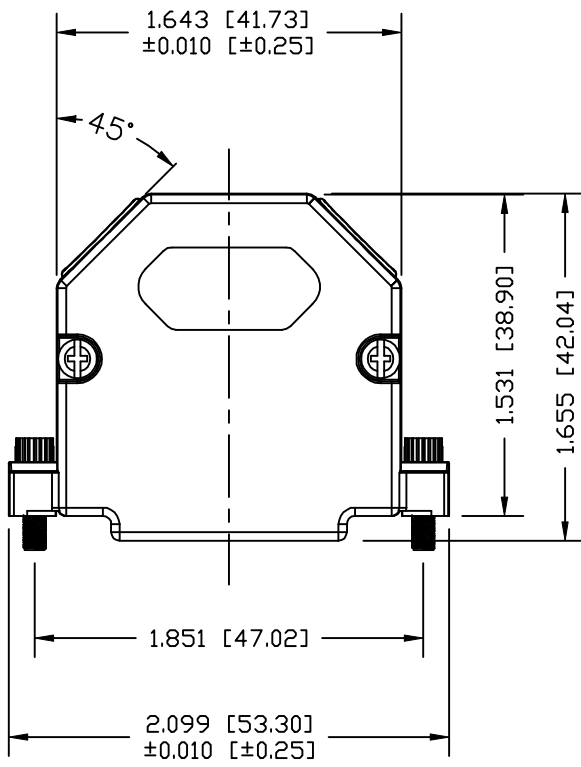
DESCRIPTION: 959 SERIES D-SUB BACKSHELL - 25 POSITION

UNITS = INCHES [MM]

BACKSHELL KIT INCLUDES:

- (2) BACKSHELL HALVES
- (2) 4-40 JACKSCREWS
- (2) HOUSING SCREWS
- (4) STRAIN RELIEF SCREWS
- (2) STRAIN RELIEF CLAMP
- (1) COVER PLATE


MATERIAL: DIE-CAST ZINC ALLOY
 PLATING: NICKEL OVER COPPER
 JACKSCREWS: STEEL, ZINC PLATED
 HOUSING SCREWS: STEEL, ZINC PLATED
 STRAIN RELIEF SCREWS: STEEL, ZINC PLATED
 COVER PLATE: STEEL, ZINC PLATED
 STRAIN RELIEF CLAMP: STEEL, ZINC PLATED



RECOMMENDED CABLE DIAMETER: 0.189 [4.80] - 0.433 [11.00]

GENERAL TOLERANCE
 ANGLE (±5°)
 LINEAR = ±0.015 [±0.38]

RoHS COMPLIANT

	THESE DRAWINGS AND SPECIFICATIONS ARE THE PROPERTY OF NorComp AND SHALL NOT BE REPRODUCED, COPIED OR USED AS THE BASIS FOR THE MANUFACTURE OR SALE OF APPARATUS WITHOUT WRITTEN PERMISSION.		DRAWN: M. SIGMON	DATE: 05-12-15
			CHECKED:	DATE:
NorComp		SCALE	SHEET 1 OF 1	REV 0
		DWG NO. 959-025-030R121		

X-ON Electronics

Largest Supplier of Electrical and Electronic Components

Click to view similar products for [D-Sub Backshells](#) category:

Click to view products by [NorComp](#) manufacturer:

Other Similar products are found below :

[600X51137X](#) [600X54009X](#) [66241-12A](#) [M85049/6-38N](#) [M85049/86-12N03](#) [M85049/90-13P03](#) [70.350.0636.4](#) [70.350.2435.1](#) [72.350.1035.2](#)
[72.352.2435.1](#) [73.359.4035.3](#) [829472-1](#) [PCS-E20W](#) [970-015-040R011](#) [971-009-030R121](#) [971-009-040R011](#) [971-015-040R011](#) [DPH-B-003](#)
[1437013-9](#) [1484402-8](#) [156-3025-EX](#) [16-500800](#) [165X02659X](#) [165X03329A](#) [165X03399A](#) [165X10259X](#) [165X11359X](#) [165X11759X](#)
[165X11889X](#) [165X11899X](#) [165X13019X](#) [165X13029X](#) [165X13169X](#) [165X13199X](#) [165X13239X](#) [165X13389X](#) [165X13489X](#)
[165X14219X](#) [165X14429X](#) [165X14449X](#) [165X17409X](#) [165X17439X](#) [165X17569X](#) [165X17599X](#) [165X17609X](#) [165X17889X](#)
[165X17979X](#) [L171373](#) [971-025-030R121](#) [300X10989X](#)