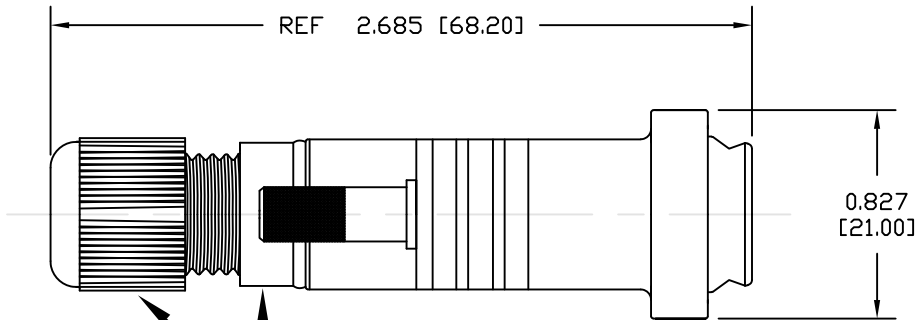
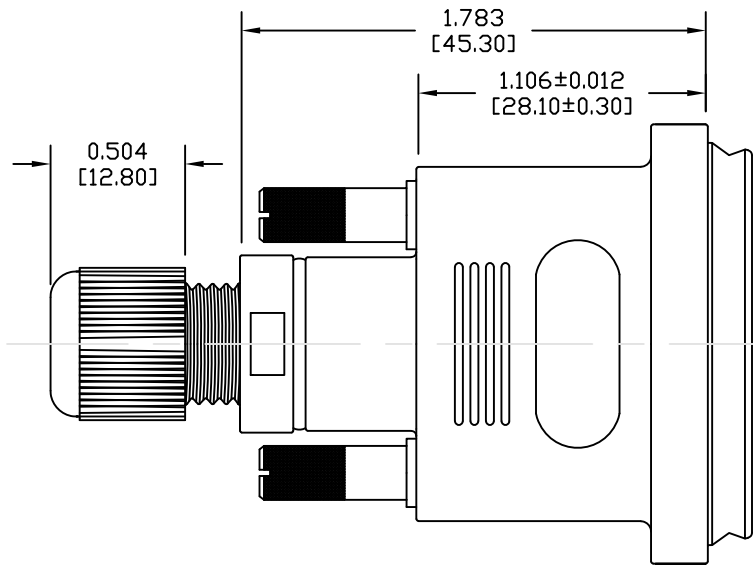


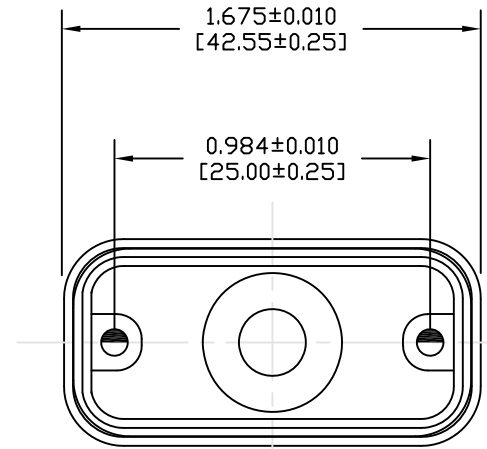
DESCRIPTION: IP67 - 9 POSITION PLASTIC BACKSHELL - ONLY



TORQUE  
SETTING  
6.075-9.547 in.lbs  
[7-11 kgf.cm]

**MATERIAL & FINISH:**

- BACKSHELL: ABS - UL HB RATED, BLACK COLOR
- BUSHING & BAFFLE: SILICONE
- THUMBSCREWS: BRASS, NICKEL PLATED
- TEMPERATURE: ABS: 0°C TO +80°C  
SILICON: -35°C TO +116°C
- CABLE DIAMETER: 0.260 inches [6.60mm] Max.  
0.100 inches [2.54mm] Min.



DO NOT SCALE FROM DRAWING



THESE DRAWINGS AND SPECIFICATIONS ARE THE PROPERTY OF NorComp AND SHALL NOT BE REPRODUCED, COPIED OR USED AS THE BASIS FOR THE MANUFACTURE OF SALE OF APPARATUS WITHOUT WRITTEN PERMISSION.

DRAWN: M. SIGMON		DATE: 12-2-10	
SCALE: NTS	SHEET 1	OF 1	REV 5
DWG NO.		967-009-010R011	

**NorComp**

RoHS COMPLIANT

## X-ON Electronics

Largest Supplier of Electrical and Electronic Components

*Click to view similar products for [D-Sub Backshells](#) category:*

*Click to view products by [NorComp](#) manufacturer:*

Other Similar products are found below :

[600X51137X](#) [600X54009X](#) [66241-12A](#) [M85049/6-38N](#) [M85049/86-12N03](#) [M85049/90-13P03](#) [70.350.0636.4](#) [70.350.2435.1](#) [72.350.1035.2](#)  
[72.352.2435.1](#) [73.359.4035.3](#) [829472-1](#) [PCS-E20W](#) [970-015-040R011](#) [971-009-030R121](#) [971-009-040R011](#) [971-015-040R011](#) [DPH-B-003](#)  
[1437013-9](#) [1484402-8](#) [156-3025-EX](#) [16-500800](#) [165X02659X](#) [165X03329A](#) [165X03399A](#) [165X10259X](#) [165X11359X](#) [165X11759X](#)  
[165X11889X](#) [165X11899X](#) [165X13019X](#) [165X13029X](#) [165X13169X](#) [165X13199X](#) [165X13239X](#) [165X13389X](#) [165X13489X](#)  
[165X14219X](#) [165X14429X](#) [165X14449X](#) [165X17409X](#) [165X17439X](#) [165X17569X](#) [165X17599X](#) [165X17609X](#) [165X17889X](#)  
[165X17979X](#) [L171373](#) [971-025-030R121](#) [300X10989X](#)