

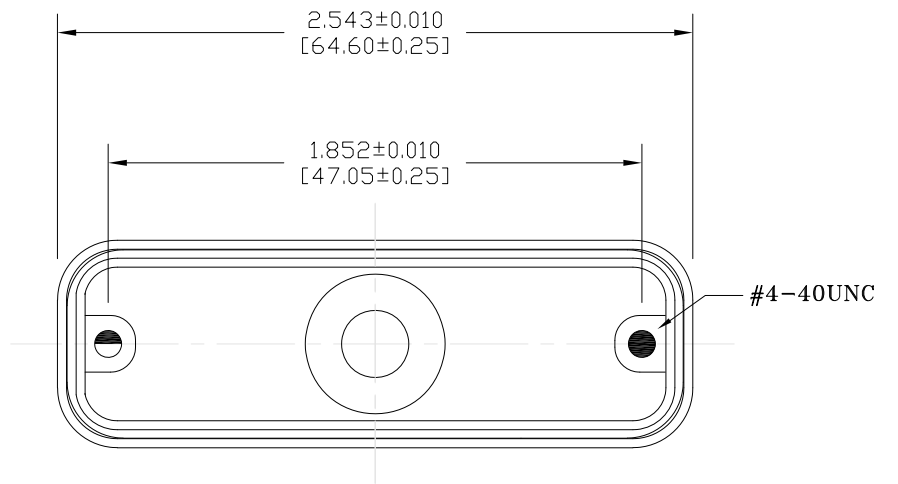
**TORQUE SETTING**  
6.1-9.5 in-lbs [7-11 kgf-cm]

**MATERIAL & FINISH**

BACKSHELL: ABS - UL HB RATED - BLACK  
 BUSHING & BAFFLE: SILICONE  
 THUMBSCREWS: NICKEL PLATED BRASS  
 OPERATION TEMPERATURE: 0°C TO 80°C (BASED ON ABS)  
 CABLE DIAMETER: 0.350 in [8.89mm] MAX  
 0.130 in [3.30mm] MIN

**MATING PANEL:**

\*INTENDED TO MATE TO REAR PANEL MOUNTED DSUB  
 RECOMMENDED MAX PANEL THICKNESS: 0.065"  
 RECOMMENDED MIN PANEL THICKNESS: 0.040"



**RoHS COMPLIANT**

THESE DRAWINGS AND SPECIFICATIONS ARE THE PROPERTY OF NorComp AND SHALL NOT BE REPRODUCED, COPIED OR USED AS THE BASIS FOR THE MANUFACTURE OR SALE OF APPARATUS WITHOUT WRITTEN PERMISSION.

DRAWN: M. SIGMON  
 DATE: 12/15/2010

UNITS = inch [mm]

**DO NOT SCALE FROM DRAWING**

**NorComp**

SCALE: NTS	SHEET 1	OF 1	REV 7
DWG NO. 967-025-010R011			

## X-ON Electronics

Largest Supplier of Electrical and Electronic Components

*Click to view similar products for [D-Sub Backshells](#) category:*

*Click to view products by [NorComp](#) manufacturer:*

Other Similar products are found below :

[600X51137X](#) [600X54009X](#) [66241-12A](#) [M85049/6-38N](#) [M85049/86-12N03](#) [M85049/90-13P03](#) [70.350.0636.4](#) [70.350.2435.1](#) [72.350.1035.2](#)  
[72.352.2435.1](#) [73.359.4035.3](#) [829472-1](#) [PCS-E20W](#) [970-015-040R011](#) [971-009-030R121](#) [971-009-040R011](#) [971-015-040R011](#) [DPH-B-003](#)  
[1437013-9](#) [1484402-8](#) [156-3025-EX](#) [16-500800](#) [165X02659X](#) [165X03329A](#) [165X03399A](#) [165X10259X](#) [165X11359X](#) [165X11759X](#)  
[165X11889X](#) [165X11899X](#) [165X13019X](#) [165X13029X](#) [165X13169X](#) [165X13199X](#) [165X13239X](#) [165X13389X](#) [165X13489X](#)  
[165X14219X](#) [165X14429X](#) [165X14449X](#) [165X17409X](#) [165X17439X](#) [165X17569X](#) [165X17599X](#) [165X17609X](#) [165X17889X](#)  
[165X17979X](#) [L171373](#) [971-025-030R121](#) [300X10989X](#)