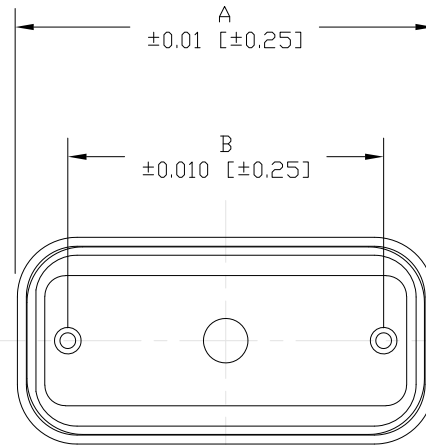
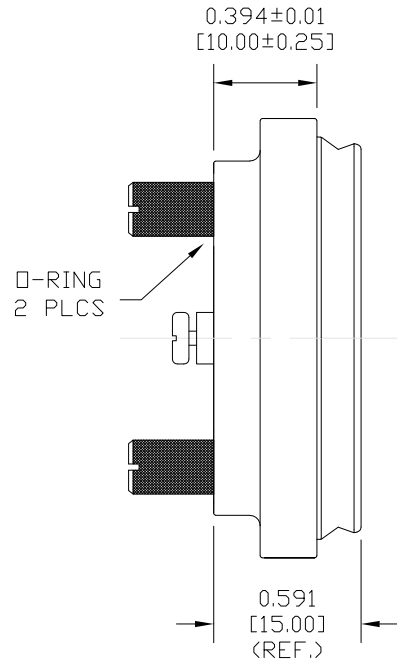


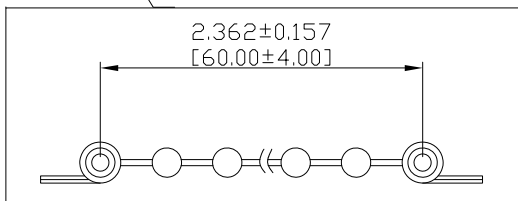
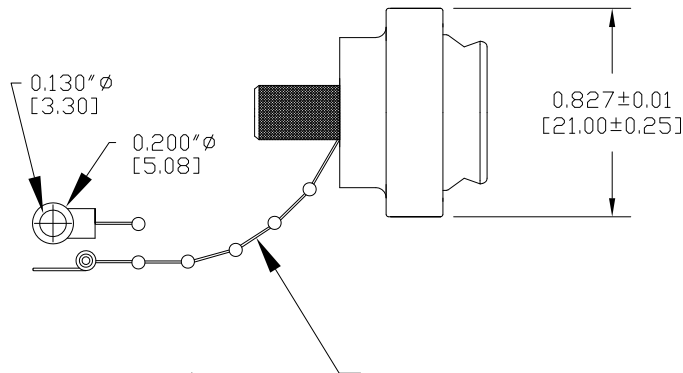
DESCRIPTION: IP67 - CONNECTOR COVER

**MATERIAL & FINISH:**

BACKSHELL: ABS - UL HB RATED, BLACK COLOR  
 BUSHING & BAFFLE: SILICONE  
 THUMBSCREWS: BRASS, NICKEL PLATED  
 ABS TEMPERATURE: -0°C TO 80°C  
 SILICON TEMPERATURE: -35°C TO 116°C



POS.	A	B
9	1.653 [42.0]	0.984 [25.0]
15	1.980 [50.3]	1.311 [33.3]
25	2.521 [64.04]	1.852 [47.05]



967-YYY-CAP

SERIES

POSITIONS

009 (ALSO FITS 15 POS HIGH DENSITY)  
 015 (ALSO FITS 26 POS HIGH DENSITY)  
 025 (ALSO FITS 44 POS HIGH DENSITY)

DO NOT SCALE FROM DRAWING

UNITS = inch [mm]



THESE DRAWINGS AND SPECIFICATIONS ARE THE PROPERTY OF NorComp AND SHALL NOT BE REPRODUCED, COPIED OR USED AS THE BASIS FOR THE MANUFACTURE OF SALE OF APPARATUS WITHOUT WRITTEN PERMISSION.

DRAWN:

P. JENKINS

DATE:

7-21-11

**NorComp**

SCALE:

NTS

SHEET

OF

1

1

REV

3

DWG NO.

967-YYY-CAP

RoHS COMPLIANT

## X-ON Electronics

Largest Supplier of Electrical and Electronic Components

*Click to view similar products for [D-Sub Tools & Hardware](#) category:*

*Click to view products by [NorComp](#) manufacturer:*

Other Similar products are found below :

[000-01-09-132](#) [000-01-21-132](#) [000-01-31-162](#) [572019-00105-70](#) [000-01-37-162](#) [621-250-113-115](#) [D110550-2](#) [D20418-137](#) [780-518-50SG6-WS](#) [86552009](#) [86553115TLF](#) [86553117TLF](#) [1230032-1](#) [1-5021101-2](#) [15-000050](#) [1589283-4](#) [160-000-005R031](#) [16-000230](#) [160-025-004R031](#) [160-020-209R000](#) [160X10909X](#) [164C03939A](#) [177-505-A-2-2](#) [1-966830-8](#) [21018-6](#) [2-1393560-9](#) [JS-1000](#) [L17D204182M3E](#) [L17D53018](#) [300X10779X](#) [160X10189X](#) [160X10419X](#) [162-000-050R000](#) [21018-5](#) [212561-3](#) [248C21550X](#) [CF15P](#) [QLOCKPOST-2](#) [D110277](#) [500-008NF1K-01](#) [500-008NF3R3KS-01](#) [500-017M09FN](#) [500-017M15MHN](#) [500-024M1](#) [500-068M3](#) [5-1393561-5](#) [C115373-0001](#) [C115373-0002](#) [3342-4-KIT](#) [K1003](#)