

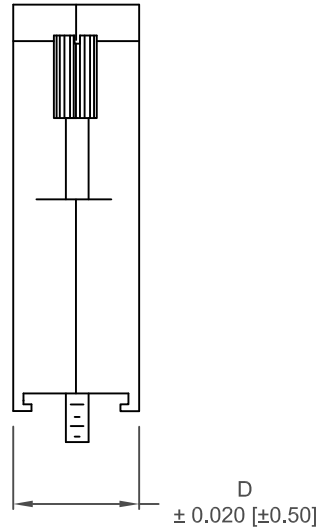
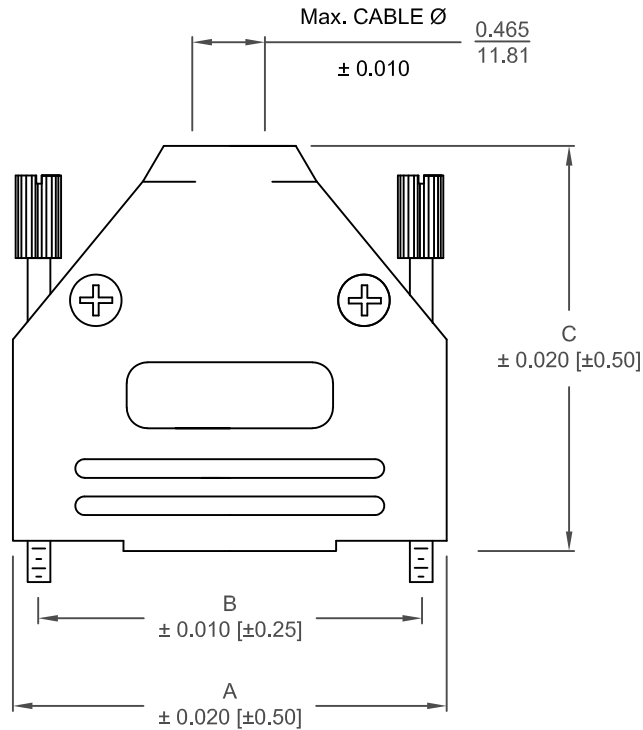
DESCRIPTION: 970 SERIES D-SUB BACKSHELL

**BACKSHELL KIT INCLUDES:**

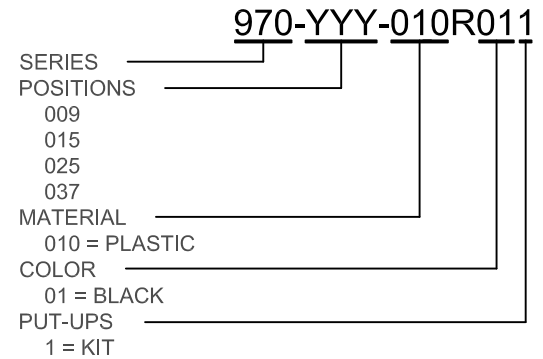
- (2) BACKSHELL HALVES
- (2) 4-40 THUMBSCREWS
- (2) HOUSING SCREWS/NUTS
- (1) SET OF COMPRESSION INSERTS - VARIOUS SIZES  
 $\varnothing 0.157$  [4.0],  $\varnothing 0.197$  [5.0],  $\varnothing 0.276$  [7.0],  $\varnothing 0.354$  [9.0]

MATERIAL: ABS POLYLAC / BLACK  
 UL 94-HB  
 JACKSCREWS: STEEL - BLACK OXIDE  
 M3 HOODSCREWS: STEEL - BLACK OXIDE  
 COMPRESSION INSERT: ABS UL 94-HB  
 M3 NUT: STEEL, BLACK OXIDE  
 OPERATING TEMP: -30°C TO +90°C


**\*\*NOTE: 3 in-lbs IS RECOMMENDED TORQUE FOR HOUSING SCREWS**



| DIMENSIONS (in/mm) |       |       |       |       |
|--------------------|-------|-------|-------|-------|
| No. OF PINS        | A     | B     | C     | D     |
| 9                  | 1.228 | 0.984 | 1.571 | 0.590 |
|                    | 31.19 | 24.99 | 39.90 | 14.99 |
| 15                 | 1.555 | 1.312 | 1.634 | 0.590 |
|                    | 39.50 | 33.32 | 41.50 | 14.99 |
| 25                 | 2.102 | 1.852 | 1.913 | 0.590 |
|                    | 53.39 | 47.04 | 48.59 | 14.99 |
| 37                 | 2.744 | 2.500 | 2.110 | 0.590 |
|                    | 69.70 | 63.50 | 53.59 | 14.99 |



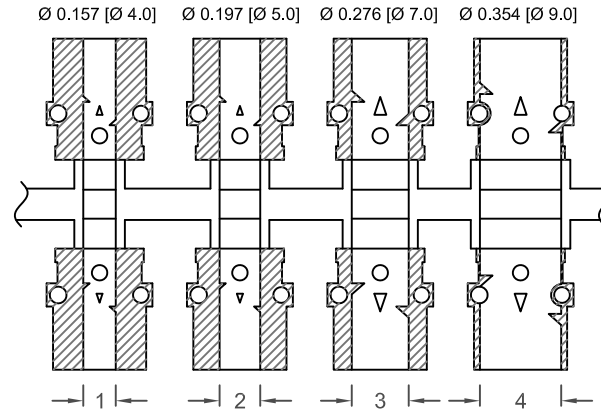
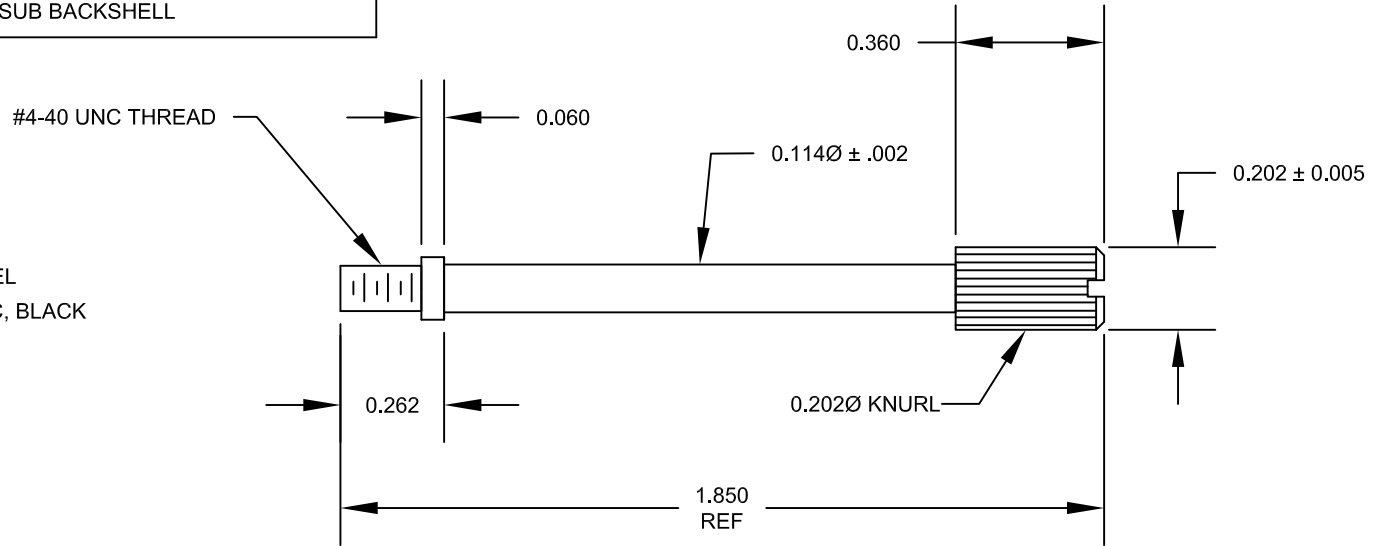
UNITS = INCHES [MM]

|  |   |  |                              |                         |
|--|---|--|------------------------------|-------------------------|
|  | THESE DRAWINGS AND SPECIFICATIONS ARE THE PROPERTY OF NorComp AND SHALL NOT BE REPRODUCED, COPIED OR USED AS THE BASIS FOR THE MANUFACTURE OR SALE OF APPARATUS WITHOUT WRITTEN PERMISSION. |  | DRAWN:<br><b>PAM JENKINS</b> | DATE:<br><b>6-09-05</b> |
|  | <h1>NorComp</h1>  |  | SCALE<br>NTS                 | SHEET<br>1 OF 2         |
| DWG NO. <b>970 -YYY-010R011</b>  |   |  |                              |                         |

**RoHS COMPLIANT**

DESCRIPTION: 970 SERIES D-SUB BACKSHELL

MATERIAL: STEEL  
PLATING: ZINC, BLACK



PLASTIC INSERTS

UNITS = INCHES [MM]



THESE DRAWINGS AND SPECIFICATIONS ARE THE PROPERTY OF NorComp AND SHALL NOT BE REPRODUCED, COPIED OR USED AS THE BASIS FOR THE MANUFACTURE OR SALE OF APPARATUS WITHOUT WRITTEN PERMISSION.

DRAWN:  
PAM JENKINS

DATE:  
6-09-05

**NorComp**

SCALE NTS SHEET 2 OF 2 REV 11

DWG NO. 970 -YYY-010R011

RoHS COMPLIANT

## X-ON Electronics

Largest Supplier of Electrical and Electronic Components

*Click to view similar products for [D-Sub Backshells](#) category:*

*Click to view products by [NorComp](#) manufacturer:*

Other Similar products are found below :

[600X51137X](#) [600X54009X](#) [66241-12A](#) [M85049/6-38N](#) [M85049/86-12N03](#) [M85049/90-13P03](#) [70.350.0636.4](#) [70.350.2435.1](#) [72.350.1035.2](#)  
[72.352.2435.1](#) [73.359.4035.3](#) [829472-1](#) [PCS-E20W](#) [970-015-040R011](#) [971-009-030R121](#) [971-009-040R011](#) [971-015-040R011](#) [DPH-B-003](#)  
[1437013-9](#) [1484402-8](#) [156-3025-EX](#) [16-500800](#) [165X02659X](#) [165X03329A](#) [165X03399A](#) [165X10259X](#) [165X11359X](#) [165X11759X](#)  
[165X11889X](#) [165X11899X](#) [165X13019X](#) [165X13029X](#) [165X13169X](#) [165X13199X](#) [165X13239X](#) [165X13389X](#) [165X13489X](#)  
[165X14219X](#) [165X14429X](#) [165X14449X](#) [165X17409X](#) [165X17439X](#) [165X17569X](#) [165X17599X](#) [165X17609X](#) [165X17889X](#)  
[165X17979X](#) [L171373](#) [971-025-030R121](#) [300X10989X](#)