

DESCRIPTION: 970 SERIES D-SUB BACKSHELL

BACKSHELL KIT INCLUDES:

- (2) BACKSHELL HALVES
- (2) 4-40 THUMBSCREWS
- (2) HOUSING SCREWS/NUTS
- (1) SET OF COMPRESSION INSERTS - VARIOUS SIZES
 $\varnothing 0.157$ [4.0], $\varnothing 0.197$ [5.0], $\varnothing 0.276$ [7.0], $\varnothing 0.354$ [9.0]

MATERIAL: NICKEL PLATED ABS VH-0800
UL 94-HB

JACKSCREWS: ZINC PLATED STEEL

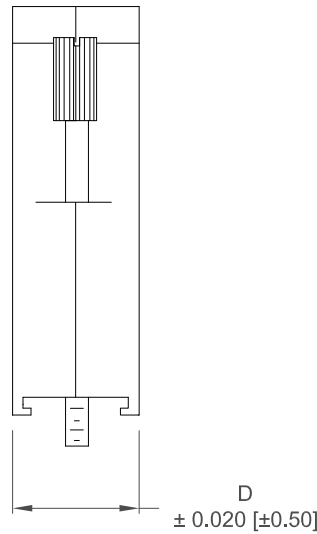
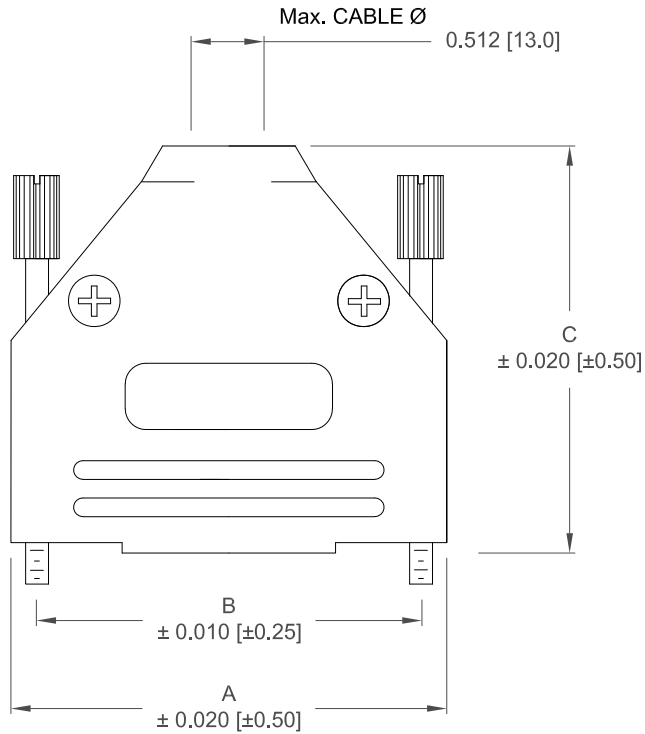
M3 HOODSCREWS: ZINC PLATED STEEL

COMPRESSION INSERT: ABS UL 94-HB

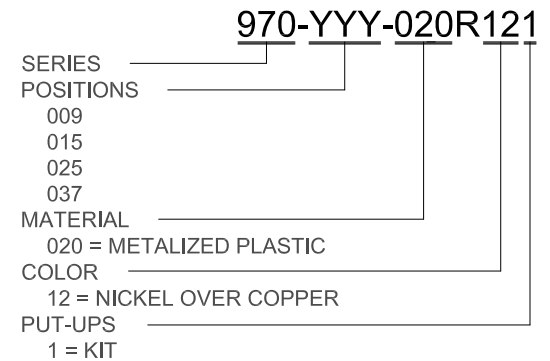
M3 NUT: ZINC PLATED STEEL

OPERATING TEMP: -55°C TO +110°C

****NOTE: 3 in-lbs IS RECOMMENDED TORQUE FOR HOUSING SCREWS**



| DIMENSIONS (in/mm) | | | | |
|--------------------|-------|-------|-------|-------|
| No. OF PINS | A | B | C | D |
| 9 | 1.240 | 0.984 | 1.594 | 0.591 |
| | 31.50 | 24.99 | 40.50 | 15.00 |
| 15 | 1.575 | 1.312 | 1.594 | 0.591 |
| | 40.00 | 33.32 | 40.50 | 15.00 |
| 25 | 2.126 | 1.852 | 1.949 | 0.591 |
| | 54.00 | 47.04 | 49.50 | 15.00 |
| 37 | 2.776 | 2.500 | 2.146 | 0.630 |
| | 70.50 | 63.50 | 54.50 | 16.00 |



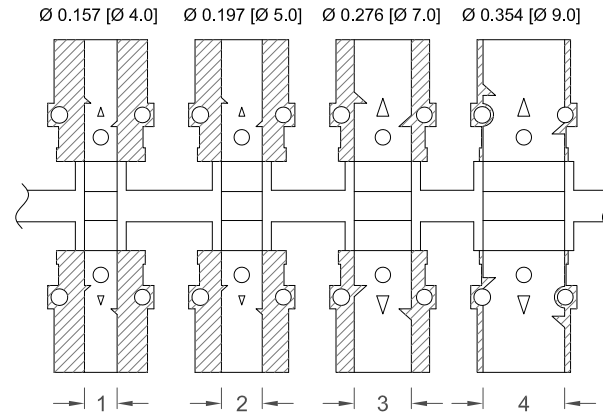
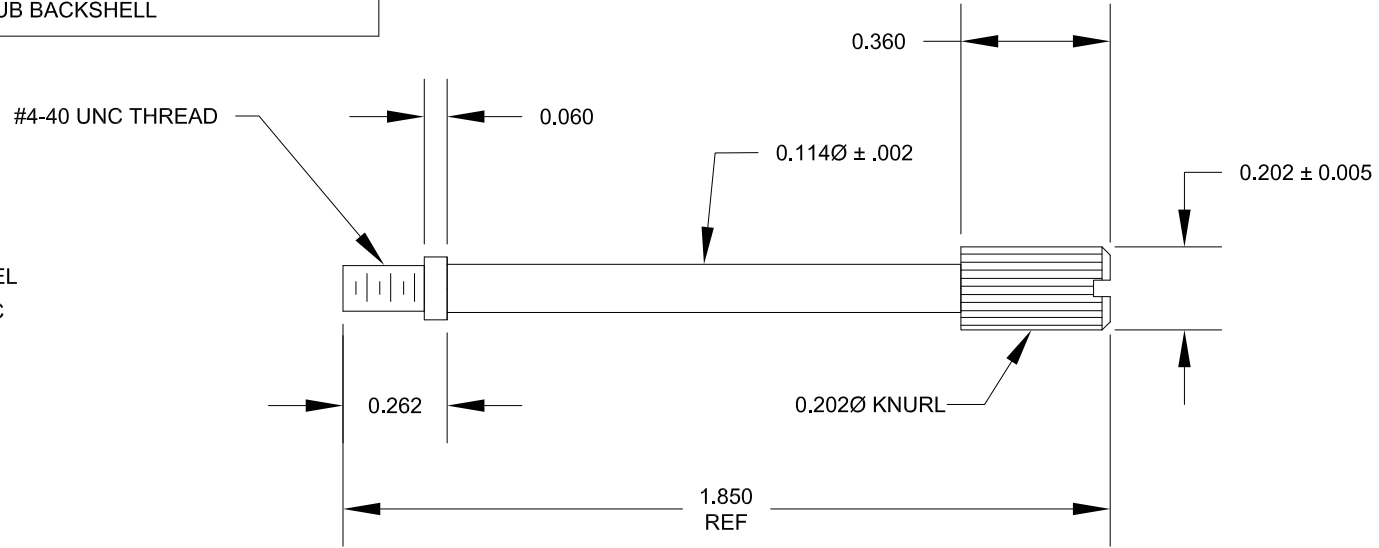
UNITS = INCHES [MM]

| | | | | |
|---------|---|--|------------------------------|-------------------------|
| | THESE DRAWINGS AND SPECIFICATIONS ARE THE PROPERTY OF NorComp AND SHALL NOT BE REPRODUCED, COPIED OR USED AS THE BASIS FOR THE MANUFACTURE OR SALE OF APPARATUS WITHOUT WRITTEN PERMISSION. | | DRAWN: PAM JENKINS | DATE: 6-09-05 |
| | <h1>NorComp</h1> | | SCALE NTS | SHEET 1 OF 2 |
| DWG NO. | | | 970-YYY-020R121 | |

RoHS COMPLIANT

DESCRIPTION: 970 SERIES D-SUB BACKSHELL

MATERIAL: STEEL
PLATING: ZINC



PLASTIC INSERTS

UNITS = INCHES [MM]



THESE DRAWINGS AND SPECIFICATIONS ARE THE PROPERTY OF NorComp AND SHALL NOT BE REPRODUCED, COPIED OR USED AS THE BASIS FOR THE MANUFACTURE OR SALE OF APPARATUS WITHOUT WRITTEN PERMISSION.

| | | | |
|------------------------------|-------------------|-------------------------|------------------|
| DRAWN: PAM JENKINS | | DATE: 6-09-05 | |
| SCALE NTS | SHEET 2 | OF 2 | REV 15 |
| DWG NO. | | 970-YYY-020R121 | |

RoHS COMPLIANT

NorComp

X-ON Electronics

Largest Supplier of Electrical and Electronic Components

Click to view similar products for [D-Sub Backshells](#) category:

Click to view products by [NorComp](#) manufacturer:

Other Similar products are found below :

[600X51137X](#) [600X54009X](#) [66241-12A](#) [M85049/6-38N](#) [M85049/86-12N03](#) [M85049/90-13P03](#) [70.350.0636.4](#) [70.350.2435.1](#) [72.350.1035.2](#)
[72.352.2435.1](#) [73.359.4035.3](#) [829472-1](#) [PCS-E20W](#) [970-015-040R011](#) [971-009-030R121](#) [971-009-040R011](#) [971-015-040R011](#) [DPH-B-003](#)
[1437013-9](#) [1484402-8](#) [156-3025-EX](#) [16-500800](#) [165X02659X](#) [165X03329A](#) [165X03399A](#) [165X10259X](#) [165X11359X](#) [165X11759X](#)
[165X11889X](#) [165X11899X](#) [165X13019X](#) [165X13029X](#) [165X13169X](#) [165X13199X](#) [165X13239X](#) [165X13389X](#) [165X13489X](#)
[165X14219X](#) [165X14429X](#) [165X14449X](#) [165X17409X](#) [165X17439X](#) [165X17569X](#) [165X17599X](#) [165X17609X](#) [165X17889X](#)
[165X17979X](#) [L171373](#) [971-025-030R121](#) [300X10989X](#)