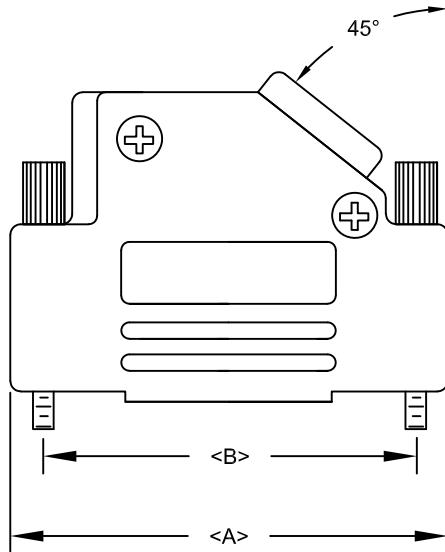


DESCRIPTION: 971 SERIES D-SUB BACKSHELL

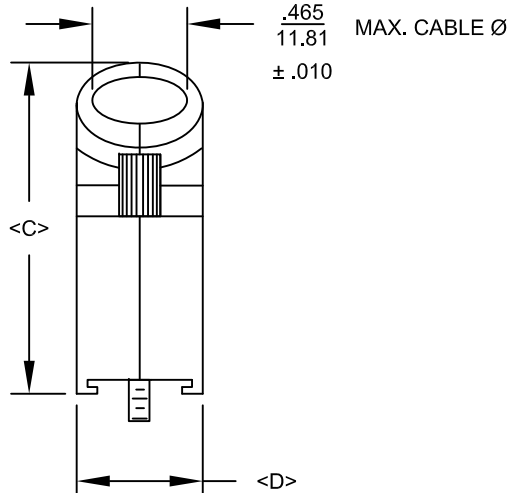
BACKSHELL KIT INCLUDES:

- (2) BACKSHELL HALVES
- (2) 4-40 THUMBSCREWS
- (2) HOUSING SCREWS & 2 NUTS
- (1) COMPRESSION RING - VARIOUS SIZES
 $\varnothing 0.157$ [4.0], $\varnothing 0.197$ [5.0], $\varnothing 0.276$ [7.0], $\varnothing 0.354$ [9.0]

NOTE: 9 POSITION HAS ONLY 1 THUMBSCREW
 (OPPOSITE CABLE ENTRY)



****NOTE: 3.0 IN/LBS IS
 RECOMMENDED TORQUE VALUE
 FOR HOUSING SCREWS/NUTS****



971-YYY-010R011

SERIES _____
 POSITIONS _____
 009 _____
 015 _____
 025 _____
 037 _____
 MATERIAL _____
 010 = PLASTIC _____
 COLOR: _____
 01 = BLACK _____
 PUT-UPS _____
 1 = KIT _____

DIMENSIONS(mm/in) *tolerances are in mm				
SIZE	A ^{+1.70} _{-0.50}	B ^{+0.25} _{-0.010}	C ^{+2.40} _{-0.50}	D ^{+0.85} _{-0.30}
9	31.00	24.99	36.30	15.00
	1.220	0.984	1.429	0.591
15	39.50	33.32	40.30	15.00
	1.555	1.312	1.587	0.591
25	53.20	47.04	40.30	15.00
	2.094	1.852	1.587	0.591
37	69.70	63.50	40.30	15.00
	2.744	2.500	1.587	0.591

- PLASTIC: ABS POLYLAC - BLACK - UL 94-HB
- JACKSCREWS: STEEL - BLACK
- HOOD SCREWS: STEEL - BLACK
- COMPRESSION INSERTS: ABS UL 94-HB
- NUTS: STEEL - BLACK
- OPERATING TEMP: -55°C TO +110 °C

RoHS COMPLIANT

	THESE DRAWINGS AND SPECIFICATIONS ARE THE PROPERTY OF NorComp AND SHALL NOT BE REPRODUCED, COPIED OR USED AS THE BASIS FOR THE MANUFACTURE OR SALE OF APPARATUS WITHOUT WRITTEN PERMISSION.		DRAWN: PAM JENKINS	DATE: 6-10-05
	NorComp		SCALE: NTS	SHEET 1 OF 1
DWG NO. 971-YYY-010R011				

X-ON Electronics

Largest Supplier of Electrical and Electronic Components

Click to view similar products for [D-Sub Backshells](#) category:

Click to view products by [NorComp](#) manufacturer:

Other Similar products are found below :

[600X51137X](#) [600X54009X](#) [66241-12A](#) [M85049/6-38N](#) [M85049/86-12N03](#) [M85049/90-13P03](#) [70.350.0636.4](#) [70.350.2435.1](#) [72.350.1035.2](#)
[72.352.2435.1](#) [73.359.4035.3](#) [829472-1](#) [PCS-E20W](#) [970-015-040R011](#) [971-009-030R121](#) [971-009-040R011](#) [971-015-040R011](#) [DPH-B-003](#)
[1437013-9](#) [1484402-8](#) [156-3025-EX](#) [16-500800](#) [165X02659X](#) [165X03329A](#) [165X03399A](#) [165X10259X](#) [165X11359X](#) [165X11759X](#)
[165X11889X](#) [165X11899X](#) [165X13019X](#) [165X13029X](#) [165X13169X](#) [165X13199X](#) [165X13239X](#) [165X13389X](#) [165X13489X](#)
[165X14219X](#) [165X14429X](#) [165X14449X](#) [165X17409X](#) [165X17439X](#) [165X17569X](#) [165X17599X](#) [165X17609X](#) [165X17889X](#)
[165X17979X](#) [L171373](#) [971-025-030R121](#) [300X10989X](#)