

DESCRIPTION: 971 SERIES D-SUB BACKSHELL

UNITS = INCHES [MM]

971-YYY-020R121

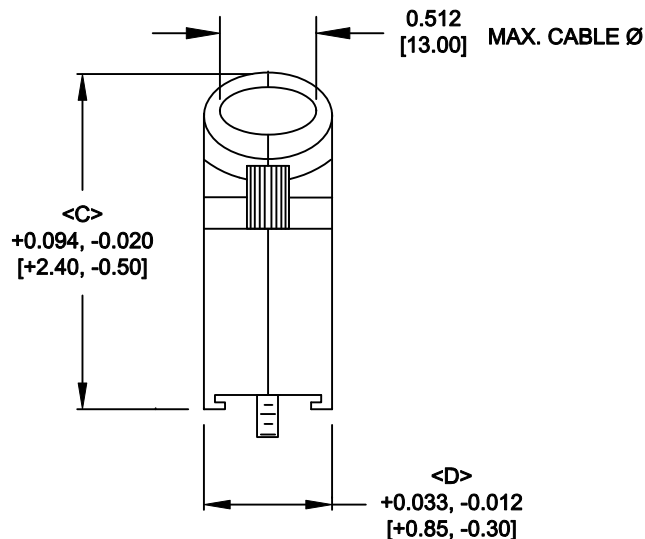
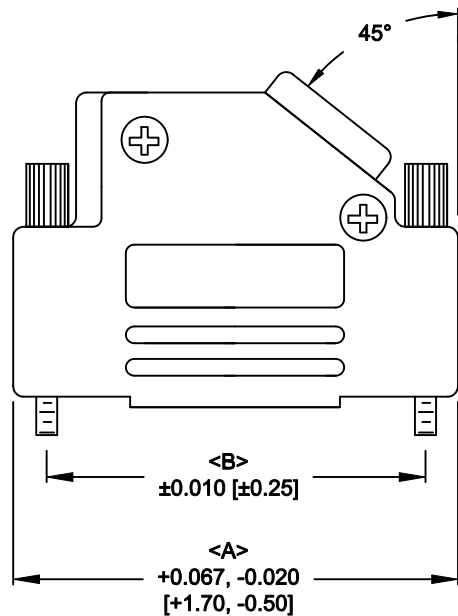
BACKSHELL KIT INCLUDES:

- (2) BACKSHELL HALVES
- (2) 4-40 THUMBSCREWS
- (2) HOUSING SCREWS
- (1) COMPRESSION RING - VARIOUS SIZES
 $\varnothing 0.157$ [4.0], $\varnothing 0.197$ [5.0], $\varnothing 0.276$ [7.0], $\varnothing 0.354$ [9.0]

****NOTE: 3.0 IN/LBS IS
 RECOMMENDED TORQUE VALUE
 FOR HOUSING SCREWS/NUTS****

SERIES _____
 POSITIONS _____
 009
 015
 025
 037
 MATERIAL _____
 020 = METALIZED PLASTIC
 COLOR: _____
 12 = NICKEL OVER COPPER
 PUT-UPS _____
 1 = KIT

NOTE: 9 POSITION HAS ONLY 1 THUMBSCREW
 (OPPOSITE CABLE ENTRY)



POS.	A	B	C	D
9	1.220	.984	1.496	.614
	30.99	24.99	38.00	15.60
15	1.595	1.312	1.618	.614
	40.51	33.32	41.10	15.60
25	2.114	1.852	1.646	.614
	53.70	47.04	41.81	15.60
37	2.748	2.500	1.646	.614
	69.80	63.50	41.81	15.60

PLASTIC: ABS VH-0800 - NICKEL PLATED - UL 94-HB

JACKSCREWS: STEEL

HOOD SCREWS: STEEL

COMPRESSION INSERTS: ABS UL 94-HB

NUTS: STEEL

OPERATING TEMP: -30°C TO + 90 °C

RoHS COMPLIANT



THESE DRAWINGS AND SPECIFICATIONS ARE THE PROPERTY OF NorComp AND SHALL NOT BE REPRODUCED, COPIED OR USED AS THE BASIS FOR THE MANUFACTURE OR SALE OF APPARATUS WITHOUT WRITTEN PERMISSION.

DRAWN:
PAM JENKINS

DATE:
6-10-05

CHECKED:

DATE:

NorComp

SCALE SHEET 1 OF 1 REV 10

DWG NO. **971-YYY-020R121**

X-ON Electronics

Largest Supplier of Electrical and Electronic Components

Click to view similar products for [D-Sub Backshells](#) category:

Click to view products by [NorComp](#) manufacturer:

Other Similar products are found below :

[600X51137X](#) [600X54009X](#) [66241-12A](#) [M85049/6-38N](#) [M85049/86-12N03](#) [M85049/90-13P03](#) [70.350.0636.4](#) [70.350.2435.1](#) [72.350.1035.2](#)
[72.352.2435.1](#) [73.359.4035.3](#) [829472-1](#) [PCS-E20W](#) [970-015-040R011](#) [971-009-030R121](#) [971-009-040R011](#) [971-015-040R011](#) [DPH-B-003](#)
[1437013-9](#) [1484402-8](#) [156-3025-EX](#) [16-500800](#) [165X02659X](#) [165X03329A](#) [165X03399A](#) [165X10259X](#) [165X11359X](#) [165X11759X](#)
[165X11889X](#) [165X11899X](#) [165X13019X](#) [165X13029X](#) [165X13169X](#) [165X13199X](#) [165X13239X](#) [165X13389X](#) [165X13489X](#)
[165X14219X](#) [165X14429X](#) [165X14449X](#) [165X17409X](#) [165X17439X](#) [165X17569X](#) [165X17599X](#) [165X17609X](#) [165X17889X](#)
[165X17979X](#) [L171373](#) [971-025-030R121](#) [300X10989X](#)