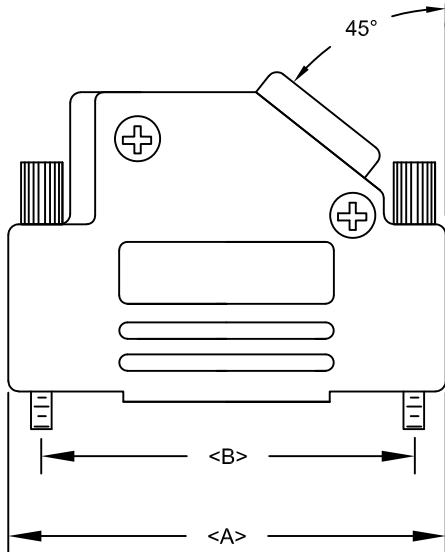


DESCRIPTION: 971 SERIES D-SUB BACKSHELL

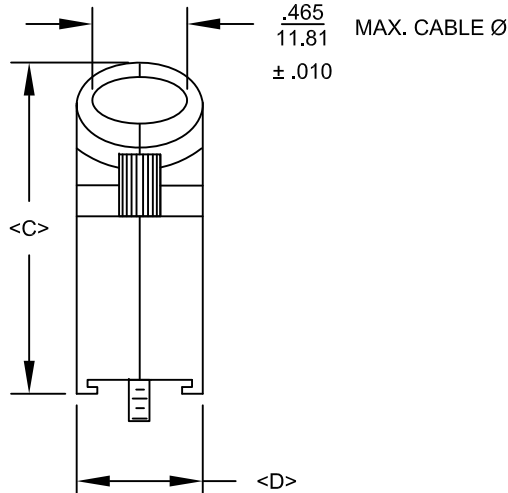
BACKSHELL KIT INCLUDES:

- (2) BACKSHELL HALVES
- (2) 4-40 THUMBSCREWS
- (2) HOUSING SCREWS & 2 NUTS
- (1) COMPRESSION RING - VARIOUS SIZES
 $\varnothing 0.157$ [4.0], $\varnothing 0.197$ [5.0], $\varnothing 0.276$ [7.0], $\varnothing 0.354$ [9.0]

NOTE: 9 POSITION HAS ONLY 1 THUMBSCREW
 (OPPOSITE CABLE ENTRY)



****NOTE: 3.0 IN/LBS IS
 RECOMMENDED TORQUE VALUE
 FOR HOUSING SCREWS/NUTS****



971-YYY-010R011

SERIES _____
 POSITIONS _____
 009 _____
 015 _____
 025 _____
 037 _____
 MATERIAL _____
 010 = PLASTIC _____
 COLOR: _____
 01 = BLACK _____
 PUT-UPS _____
 1 = KIT _____

| DIMENSIONS(mm/in) *tolerances are in mm | | | | |
|---|-------------------------------------|--------------------------------------|-------------------------------------|-------------------------------------|
| SIZE | A ^{+1.70} _{-0.50} | B ^{+0.25} _{-0.010} | C ^{+2.40} _{-0.50} | D ^{+0.85} _{-0.30} |
| 9 | 31.00 | 24.99 | 36.30 | 15.00 |
| | 1.220 | 0.984 | 1.429 | 0.591 |
| 15 | 39.50 | 33.32 | 40.30 | 15.00 |
| | 1.555 | 1.312 | 1.587 | 0.591 |
| 25 | 53.20 | 47.04 | 40.30 | 15.00 |
| | 2.094 | 1.852 | 1.587 | 0.591 |
| 37 | 69.70 | 63.50 | 40.30 | 15.00 |
| | 2.744 | 2.500 | 1.587 | 0.591 |

- PLASTIC: ABS POLYLAC - BLACK - UL 94-HB
- JACKSCREWS: STEEL - BLACK
- HOOD SCREWS: STEEL - BLACK
- COMPRESSION INSERTS: ABS UL 94-HB
- NUTS: STEEL - BLACK
- OPERATING TEMP: -55°C TO +110 °C

RoHS COMPLIANT

| | | | | |
|-------------------------|---|--|-----------------------|------------------|
| | THESE DRAWINGS AND SPECIFICATIONS ARE THE PROPERTY OF NorComp AND SHALL NOT BE REPRODUCED, COPIED OR USED AS THE BASIS FOR THE MANUFACTURE OR SALE OF APPARATUS WITHOUT WRITTEN PERMISSION. | | DRAWN: PAM JENKINS | DATE: 6-10-05 |
| | NorComp | | SCALE: NTS | SHEET 1 OF 1 |
| DWG NO. 971-YYY-010R011 | | | | |

X-ON Electronics

Largest Supplier of Electrical and Electronic Components

Click to view similar products for [D-Sub Backshells](#) category:

Click to view products by [NorComp](#) manufacturer:

Other Similar products are found below :

[600X51137X](#) [600X54009X](#) [66241-12A](#) [M85049/6-38N](#) [M85049/86-12N03](#) [M85049/90-13P03](#) [70.350.0636.4](#) [70.350.2435.1](#) [72.350.1035.2](#)
[72.352.2435.1](#) [73.359.4035.3](#) [829472-1](#) [PCS-E20W](#) [970-015-040R011](#) [971-009-030R121](#) [971-009-040R011](#) [971-015-040R011](#) [DPH-B-003](#)
[1437013-9](#) [1484402-8](#) [156-3025-EX](#) [16-500800](#) [165X02659X](#) [165X03329A](#) [165X03399A](#) [165X10259X](#) [165X11359X](#) [165X11759X](#)
[165X11889X](#) [165X11899X](#) [165X13019X](#) [165X13029X](#) [165X13169X](#) [165X13199X](#) [165X13239X](#) [165X13389X](#) [165X13489X](#)
[165X14219X](#) [165X14429X](#) [165X14449X](#) [165X17409X](#) [165X17439X](#) [165X17569X](#) [165X17599X](#) [165X17609X](#) [165X17889X](#)
[165X17979X](#) [L171373](#) [971-025-030R121](#) [300X10989X](#)