

DESCRIPTION: 971 SERIES D-SUB BACKSHELL

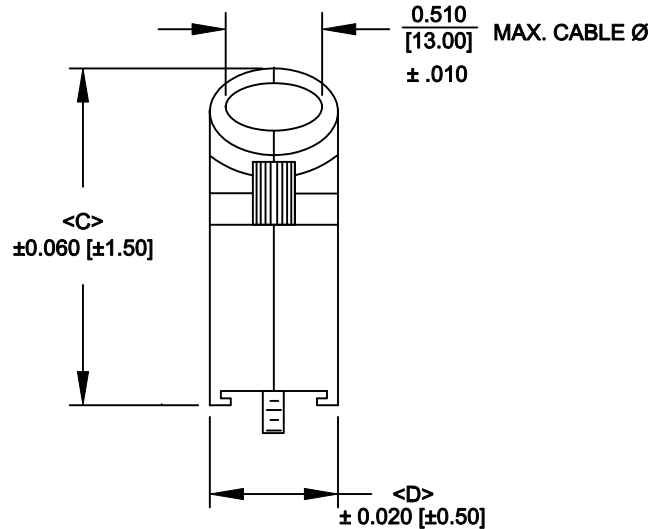
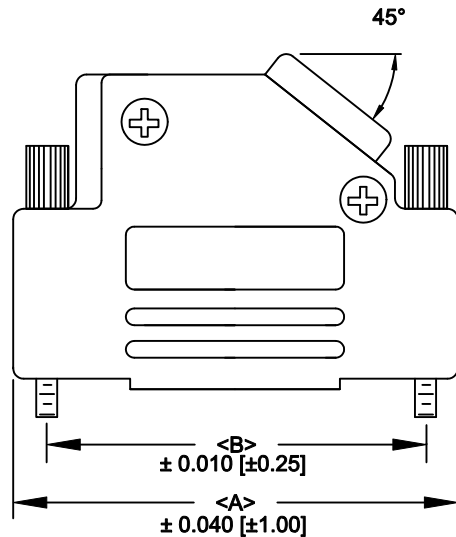
BACKSHELL KIT INCLUDES:

- (2) BACKSHELL HALVES
- (2) 4-40 THUMBSCREWS
- (2) HOUSING SCREWS
- (1) COMPRESSION INSERTS - VARIOUS SIZES
 $\varnothing 0.157$ [4.0], $\varnothing 0.197$ [5.0], $\varnothing 0.276$ [7.0], $\varnothing 0.354$ [9.0]

NOTE: 9 POSITION HAS ONLY 1 THUMBSCREW
 (OPPOSITE CABLE ENTRY)

971-YYY-030R121


SERIES _____
 POSITIONS _____
 009 _____
 015 _____
 025 _____
 037 _____
 MATERIAL _____
 030 = ZINC _____
 COLOR: _____
 12 = NICKEL OVER COPPER _____
 PUT-UPS _____
 1 = KIT _____



POS.	A	B	C	D
9	1.220	.984	1.429	.570
	30.99	24.99	36.30	14.48
15	1.556	1.312	1.587	.570
	39.50	33.32	40.30	14.48
25	2.094	1.852	1.587	.570
	53.20	47.04	40.30	14.48
37	2.744	2.500	1.587	.570
	69.70	63.50	40.30	14.48

MATERIAL: DIE CAST ZINC ALLOY
 PLATING: NICKEL OVER COOPER
 JACKSCREWS: STEEL, ZINC PLATED
 HOOD SCREWS: STEEL, ZINC PLATED
 COMPRESSION INSERTS: ABS UL 94-HB
 OPERATING TEMP: -40°C to +120°C

RoHS COMPLIANT

	THESE DRAWINGS AND SPECIFICATIONS ARE THE PROPERTY OF NorComp AND SHALL NOT BE REPRODUCED, COPIED OR USED AS THE BASIS FOR THE MANUFACTURE OR SALE OF APPARATUS WITHOUT WRITTEN PERMISSION.		DRAWN: PAM JENKINS	DATE: 6-10-05
				CHECKED:
NorComp		SCALE	SHEET 1 OF 1	REV 9
		DWG NO. 971-YYY-030R121		

X-ON Electronics

Largest Supplier of Electrical and Electronic Components

Click to view similar products for [D-Sub Backshells](#) category:

Click to view products by [NorComp](#) manufacturer:

Other Similar products are found below :

[600X51137X](#) [600X54009X](#) [66241-12A](#) [M85049/6-38N](#) [M85049/86-12N03](#) [M85049/90-13P03](#) [70.350.0636.4](#) [70.350.2435.1](#) [72.350.1035.2](#)
[72.352.2435.1](#) [73.359.4035.3](#) [829472-1](#) [PCS-E20W](#) [970-015-040R011](#) [971-009-030R121](#) [971-009-040R011](#) [971-015-040R011](#) [DPH-B-003](#)
[1437013-9](#) [1484402-8](#) [156-3025-EX](#) [16-500800](#) [165X02659X](#) [165X03329A](#) [165X03399A](#) [165X10259X](#) [165X11359X](#) [165X11759X](#)
[165X11889X](#) [165X11899X](#) [165X13019X](#) [165X13029X](#) [165X13169X](#) [165X13199X](#) [165X13239X](#) [165X13389X](#) [165X13489X](#)
[165X14219X](#) [165X14429X](#) [165X14449X](#) [165X17409X](#) [165X17439X](#) [165X17569X](#) [165X17599X](#) [165X17609X](#) [165X17889X](#)
[165X17979X](#) [L171373](#) [971-025-030R121](#) [300X10989X](#)