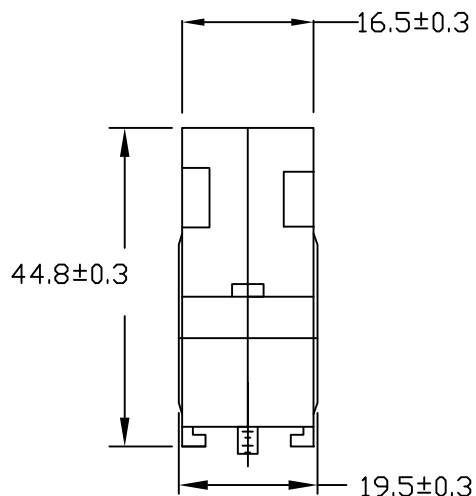
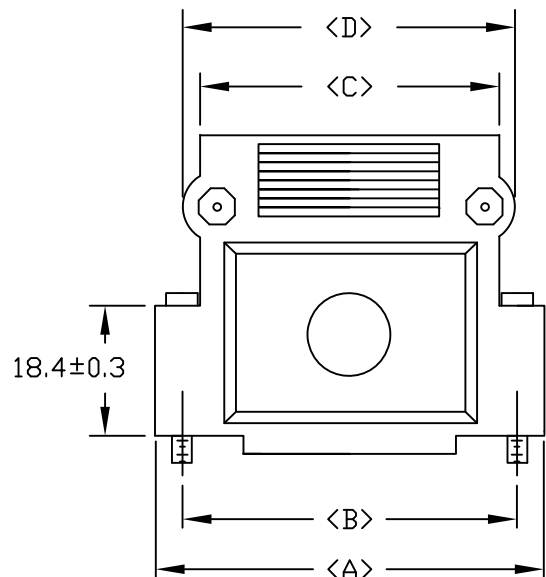


BACKSHELL KIT INCLUDES:
 (2) BACKSHELL HALVES
 (2) 4-40 MATING SCREWS
 (2) HOUSING SCREWS
 (2) HOUSING NUTS

DIMENSIONS [MM]					
SIZE	A ±0.3	B ±0.3	C ±0.3	D ±0.3	E ±0.3
9	33.5	25.0	19.3	24.0	9.7
15	41.0	33.3	28.1	33.0	21.6
25	54.5	47.1	41.5	46.2	34.3
37	71.3	63.5	58.0	63.0	51.0

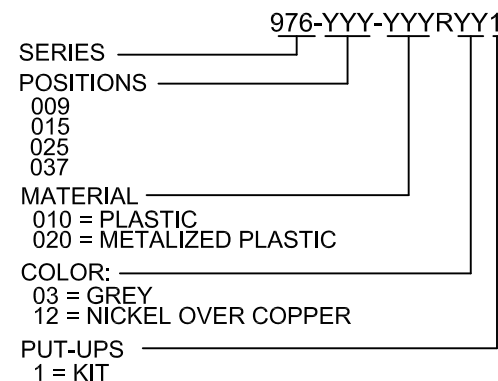


METALIZED PLASTIC:

MATERIALS: ABS HIGH TEMPERATURE PLASTIC UL 94HB
PLATING: CHROME - ELECTROPLATED

PLASTIC:

MATERIALS: ABS HIGH TEMPERATURE PLASTIC UL 94HB - GREY



RoHS COMPLIANT

UNITS = [MM]

DO NOT SCALE FROM DRAWING



THESE DRAWINGS AND SPECIFICATIONS ARE THE PROPERTY OF NorComp AND SHALL NOT BE REPRODUCED, COPIED OR USED AS THE BASIS FOR THE MANUFACTURE OR SALE OF APPARATUS WITHOUT WRITTEN PERMISSION.

DRAWN:

J. KADEL

DATE:

09/05/2018

NorComp

SCALE: NTS

SHEET 1 OF 1

REV 3

DWG NO.

976-YYY-0Y0RYY1

X-ON Electronics

Largest Supplier of Electrical and Electronic Components

Click to view similar products for [D-Sub Backshells](#) category:

Click to view products by [NorComp](#) manufacturer:

Other Similar products are found below :

[600X51137X](#) [600X54009X](#) [66241-12A](#) [M85049/6-38N](#) [M85049/86-12N03](#) [M85049/90-13P03](#) [70.350.0636.4](#) [70.350.2435.1](#) [72.350.1035.2](#)
[72.352.2435.1](#) [73.359.4035.3](#) [829472-1](#) [PCS-E20W](#) [970-015-040R011](#) [971-009-030R121](#) [971-009-040R011](#) [971-015-040R011](#) [DPH-B-003](#)
[1437013-9](#) [1484402-8](#) [156-3025-EX](#) [16-500800](#) [165X02659X](#) [165X03329A](#) [165X03399A](#) [165X10259X](#) [165X11359X](#) [165X11759X](#)
[165X11889X](#) [165X11899X](#) [165X13019X](#) [165X13029X](#) [165X13169X](#) [165X13199X](#) [165X13239X](#) [165X13389X](#) [165X13489X](#)
[165X14219X](#) [165X14429X](#) [165X14449X](#) [165X17409X](#) [165X17439X](#) [165X17569X](#) [165X17599X](#) [165X17609X](#) [165X17889X](#)
[165X17979X](#) [L171373](#) [971-025-030R121](#) [300X10989X](#)