

**BACKSHELL KIT INCLUDES:**

- (2) BACKSHELL HALVES
- (2) HOUSING SCREWS
- (2) HOUSING NUTS
- (2) 4-40 MOUNTING SCREWS
- (2) SADDLE WASHERS
- (2) STRAIN RELIEF CLAMPS
- (2) STRAIN RELIEF SCREWS

**METALIZED PLASTIC:**

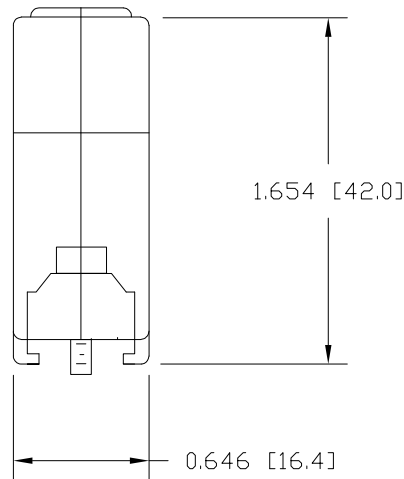
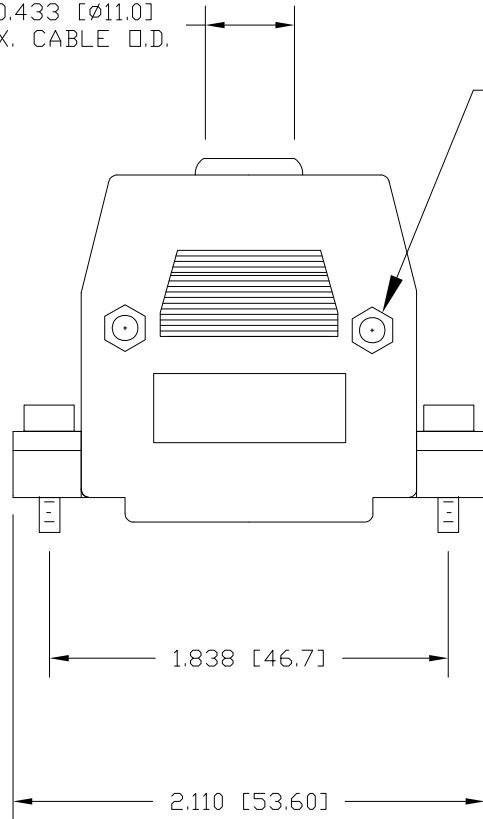
MATERIAL: ABS HIGH TEMPERATURE PLASTIC UL94HB  
 METALIZED PLATING: NICKEL OVER COPPER  
 OPERATING TEMP: -35°C TO 85°C

**PLASTIC:**

MATERIAL: ABS HIGH TEMPERATURE PLASTIC UL94HB  
 OPERATING TEMP: -35°C TO 85°C

∅0.433 [∅11.0]  
 MAX. CABLE O.D.

**\*\*PLEASE NOTE FOR METALIZED VERSION  
 THIS GEOMETRY WILL BE A CIRCLE, NOT A HEX**



**977-025-0Y0 R YY 1**

SERIES \_\_\_\_\_  
 POSITIONS \_\_\_\_\_  
 025 \_\_\_\_\_  
 MATERIAL \_\_\_\_\_  
 010 = PLASTIC  
 020 = METALIZED PLASTIC  
 RoHS COMPLIANT \_\_\_\_\_  
 COLOR \_\_\_\_\_  
 03 = GREY  
 12 = METALIZED  
 PUT-UP \_\_\_\_\_  
 1 = KIT

**RoHS COMPLIANT**

UNITS = inch [mm]

**DO NOT SCALE FROM DRAWING**



THESE DRAWINGS AND SPECIFICATIONS ARE THE PROPERTY OF NorComp AND SHALL NOT BE REPRODUCED, COPIED OR USED AS THE BASIS FOR THE MANUFACTURE OR SALE OF APPARATUS WITHOUT WRITTEN PERMISSION.

DRAWN:

J. KADEL

DATE:

08/22/2019

**NorComp**

SCALE:  
 NTS

SHEET OF  
 1 1

REV  
 1

DWG NO.

**977-025-0Y0RYY1**

## X-ON Electronics

Largest Supplier of Electrical and Electronic Components

*Click to view similar products for [D-Sub Backshells](#) category:*

*Click to view products by [NorComp](#) manufacturer:*

Other Similar products are found below :

[600X51137X](#) [600X54009X](#) [66241-12A](#) [M85049/6-38N](#) [M85049/86-12N03](#) [M85049/90-13P03](#) [70.350.0636.4](#) [70.350.2435.1](#) [72.350.1035.2](#)  
[72.352.2435.1](#) [73.359.4035.3](#) [829472-1](#) [PCS-E20W](#) [970-015-040R011](#) [971-009-030R121](#) [971-009-040R011](#) [971-015-040R011](#) [DPH-B-003](#)  
[1437013-9](#) [1484402-8](#) [156-3025-EX](#) [16-500800](#) [165X02659X](#) [165X03329A](#) [165X03399A](#) [165X10259X](#) [165X11359X](#) [165X11759X](#)  
[165X11889X](#) [165X11899X](#) [165X13019X](#) [165X13029X](#) [165X13169X](#) [165X13199X](#) [165X13239X](#) [165X13389X](#) [165X13489X](#)  
[165X14219X](#) [165X14429X](#) [165X14449X](#) [165X17409X](#) [165X17439X](#) [165X17569X](#) [165X17599X](#) [165X17609X](#) [165X17889X](#)  
[165X17979X](#) [L171373](#) [971-025-030R121](#) [300X10989X](#)