

DESCRIPTION: 979 SERIES D-SUB BACKSHELL - DIE CAST

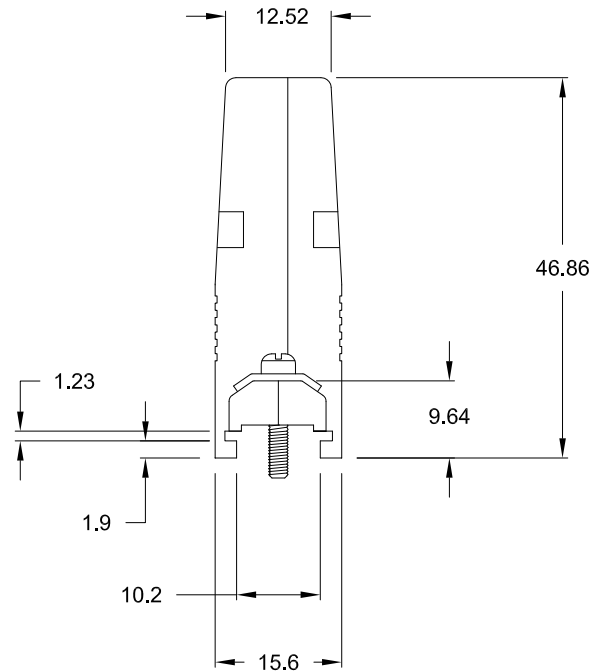
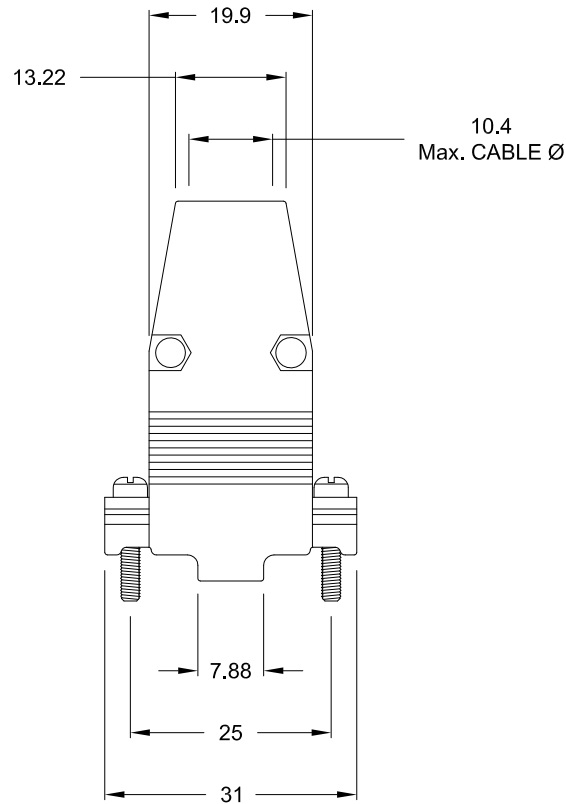
ALL TOLERANCES =  $\pm 0.3$   
UNLESS OTHERWISE INDICATED

DESIGNED TO ACCOMMODATE STANDARD:  
D-SUB - Shell Size 1

**BACKSHELL KIT INCLUDES:**

- 2 - BACKSHELL HALVES
- 2 - 4-40 MATING SCREWS
- 2 - SADDLE WASHERS
- 2 - HOUSING SCREWS
- 2 - HOUSING NUTS
- 1 - GROMMET TREE - VARIOUS SIZES  
(NON-CONDUCTIVE GROMMETS)

MATERIAL: DIE-CAST ZINC ALLOY  
PLATING: NICKEL  
OPERATING TEMPERATURE: -45°C TO +120°C



**979-009-030 R 12 1**

SERIES \_\_\_\_\_  
POSITIONS \_\_\_\_\_  
009 \_\_\_\_\_

MATERIAL \_\_\_\_\_  
030 = ZINC  
RoHS COMPLIANT \_\_\_\_\_  
R = HIGH TEMP. PROCESS

PLATING \_\_\_\_\_  
12 = NICKEL

PUT-UPS \_\_\_\_\_  
1 = KIT

UNITS = mm

**DO NOT SCALE FROM DRAWING**

**RoHS COMPLIANT**

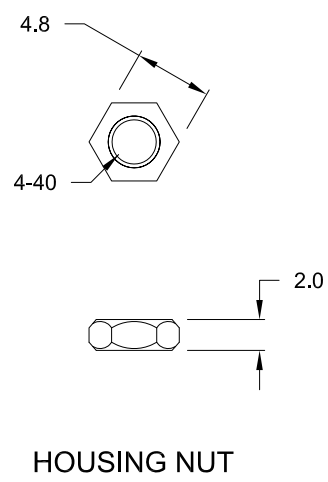
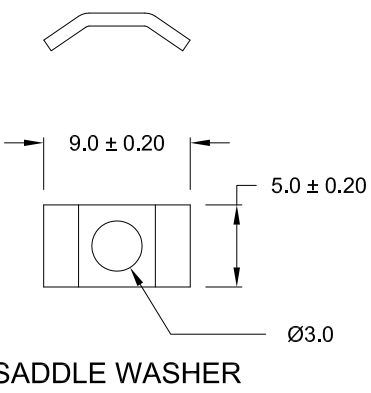
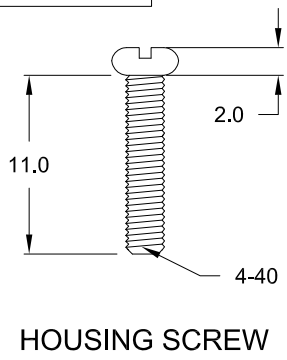
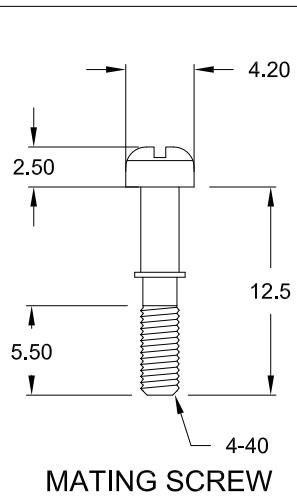


THESE DRAWINGS AND SPECIFICATIONS ARE THE PROPERTY OF NorComp AND SHALL NOT BE REPRODUCED, COPIED OR USED AS THE BASIS FOR THE MANUFACTURE OF SALE OF APPARATUS WITHOUT WRITTEN PERMISSION.

**NorComp**

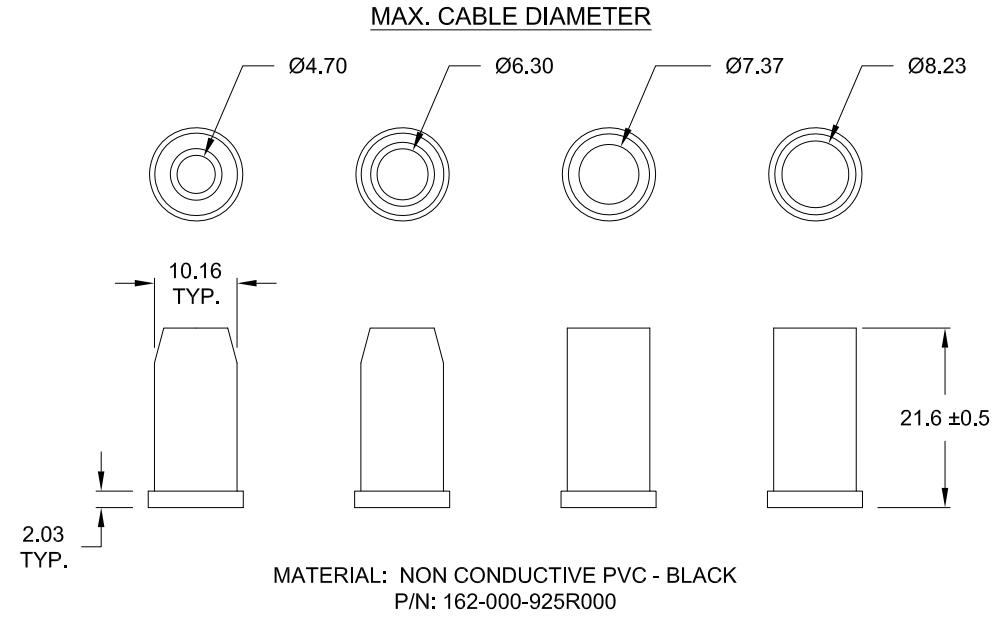
|                                |                   |                          |                 |
|--------------------------------|-------------------|--------------------------|-----------------|
| DRAWN:<br><b>C. SMITH</b>      |                   | DATE:<br><b>04-20-10</b> |                 |
| SCALE:<br><b>NTS</b>           | SHEET<br><b>1</b> | OF<br><b>2</b>           | REV<br><b>6</b> |
| DWG NO. <b>979-009-030R121</b> |                   |                          |                 |

DESCRIPTION: 979 SERIES D-SUB BACKSHELL - HARDWARE



ALL HARDWARE:  
MATERIAL = STEEL  
PLATING = NICKEL

RoHS COMPLIANT



UNITS = mm

DO NOT SCALE FROM DRAWING

|                                |   |  |                           |                            |
|--------------------------------|---|--|---------------------------|----------------------------|
|                                | THESE DRAWINGS AND SPECIFICATIONS ARE THE PROPERTY OF NorComp AND SHALL NOT BE REPRODUCED, COPIED OR USED AS THE BASIS FOR THE MANUFACTURE OF SALE OF APPARATUS WITHOUT WRITTEN PERMISSION. |  | DRAWN:<br><b>C. SMITH</b> | DATE:<br><b>04-20-10</b>   |
|                                | NorComp   |  | SCALE:<br><b>NTS</b>      | SHEET <b>2</b> OF <b>2</b> |
| DWG NO. <b>979-009-030R121</b> |   |  |                           |                            |

## X-ON Electronics

Largest Supplier of Electrical and Electronic Components

*Click to view similar products for [D-Sub Backshells](#) category:*

*Click to view products by [NorComp](#) manufacturer:*

Other Similar products are found below :

[600X51137X](#) [600X54009X](#) [66241-12A](#) [M85049/6-38N](#) [M85049/86-12N03](#) [M85049/90-13P03](#) [70.350.0636.4](#) [70.350.2435.1](#) [72.350.1035.2](#)  
[72.352.2435.1](#) [73.359.4035.3](#) [829472-1](#) [PCS-E20W](#) [970-015-040R011](#) [971-009-030R121](#) [971-009-040R011](#) [971-015-040R011](#) [DPH-B-003](#)  
[1437013-9](#) [1484402-8](#) [156-3025-EX](#) [16-500800](#) [165X02659X](#) [165X03329A](#) [165X03399A](#) [165X10259X](#) [165X11359X](#) [165X11759X](#)  
[165X11889X](#) [165X11899X](#) [165X13019X](#) [165X13029X](#) [165X13169X](#) [165X13199X](#) [165X13239X](#) [165X13389X](#) [165X13489X](#)  
[165X14219X](#) [165X14429X](#) [165X14449X](#) [165X17409X](#) [165X17439X](#) [165X17569X](#) [165X17599X](#) [165X17609X](#) [165X17889X](#)  
[165X17979X](#) [L171373](#) [971-025-030R121](#) [300X10989X](#)