

NOTE:

METALIZED PLASTIC:

MATERIAL:

ABS HIGH TEMP PLASTIC 94HB

METALIZED PLATING:

NICKEL OVER COPPER

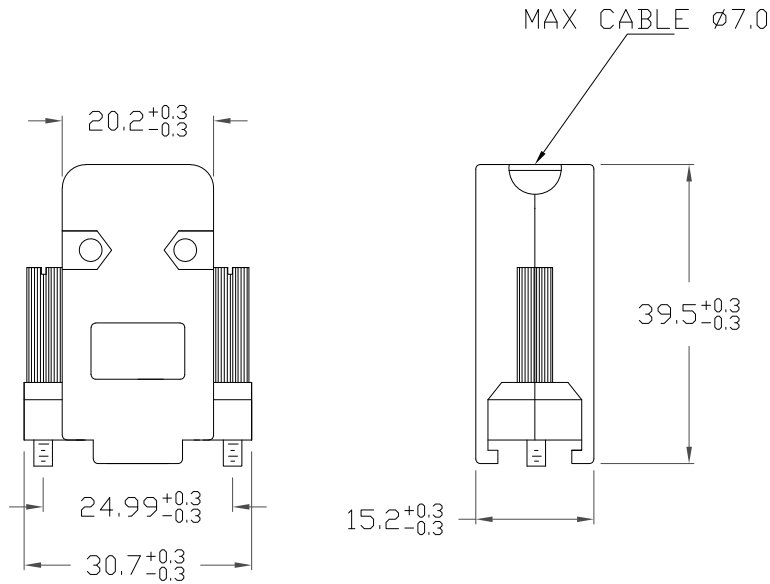
PLASTIC:

MATERIAL:

ABS HIGH TEMP PLASTIC 94HB

BACKSHELL KIT INCLUDES:

- (2x) BACKSHELL HALVES
- (2x) HOUSING SCREWS
- (2x) HOUSING NUTS
- (2x) #4-40 THUMBSCREWS
- (2x) STRAIN RELIEF CLAMPS
- (2x) STRAIN RELIEF SCREWS



993-009-YYYYRYY1

SERIES

MATERIAL

010 = PLASTIC

020 = METALIZED PLASTIC

COLOR

03 = GREY

12 = NICKEL OVER COPPER

RoHS COMPLIANT

UNITS = mm

DO NOT SCALE FROM DRAWING



THESE DRAWINGS AND SPECIFICATIONS ARE THE PROPERTY OF NorComp AND SHALL NOT BE REPRODUCED, COPIED OR USED AS THE BASIS FOR THE MANUFACTURE OR SALE OF APPARATUS WITHOUT WRITTEN PERMISSION.

DRAWN:

P. JENKINS

DATE:

09/15/2005

NorComp

SCALE:
NTS

SHEET OF
1 1

REV
4

DWG NO.

993-009-YYYYRYY1

X-ON Electronics

Largest Supplier of Electrical and Electronic Components

Click to view similar products for [D-Sub Backshells](#) category:

Click to view products by [NorComp](#) manufacturer:

Other Similar products are found below :

[600X51137X](#) [600X54009X](#) [66241-12A](#) [M85049/6-38N](#) [M85049/86-12N03](#) [M85049/90-13P03](#) [70.350.0636.4](#) [70.350.2435.1](#) [72.350.1035.2](#)
[72.352.2435.1](#) [73.359.4035.3](#) [829472-1](#) [PCS-E20W](#) [970-015-040R011](#) [971-009-030R121](#) [971-009-040R011](#) [971-015-040R011](#) [DPH-B-003](#)
[1437013-9](#) [1484402-8](#) [156-3025-EX](#) [16-500800](#) [165X02659X](#) [165X03329A](#) [165X03399A](#) [165X10259X](#) [165X11359X](#) [165X11759X](#)
[165X11889X](#) [165X11899X](#) [165X13019X](#) [165X13029X](#) [165X13169X](#) [165X13199X](#) [165X13239X](#) [165X13389X](#) [165X13489X](#)
[165X14219X](#) [165X14429X](#) [165X14449X](#) [165X17409X](#) [165X17439X](#) [165X17569X](#) [165X17599X](#) [165X17609X](#) [165X17889X](#)
[165X17979X](#) [L171373](#) [971-025-030R121](#) [300X10989X](#)