

**NOTE:**

METALIZED PLASTIC:

MATERIAL:

ABS HIGH TEMP PLASTIC 94HB

METALIZED PLATING:

CHROME

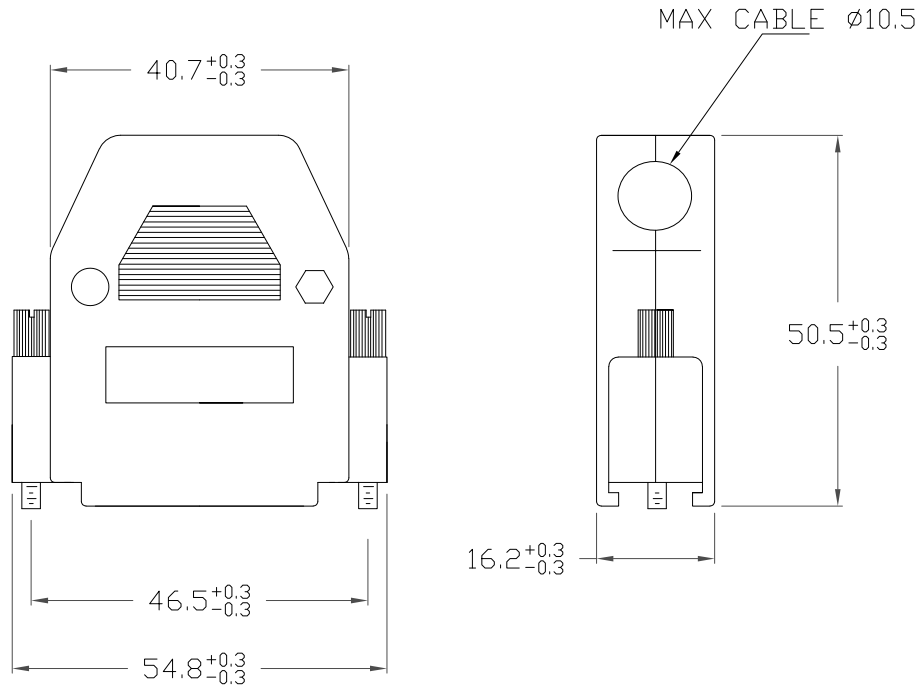
PLASTIC:

MATERIAL:

ABS HIGH TEMP PLASTIC 94HB

**BACKSHELL KIT INCLUDES:**

- (2x) BACKSHELL HALVES
- (2x) HOUSING SCREWS
- (2x) HOUSING NUTS
- (2x) #4-40 THUMBSCREWS
- (2x) STRAIN RELIEF CLAMPS
- (2x) STRAIN RELIEF SCREWS



**993-025-YYYYRYY1**

SERIES \_\_\_\_\_

MATERIAL \_\_\_\_\_

010 = PLASTIC

020 = METALIZED PLASTIC

COLOR \_\_\_\_\_

03 = GREY

12 = CHROME

**RoHS COMPLIANT**

UNITS = mm

**DO NOT SCALE FROM DRAWING**



THESE DRAWINGS AND SPECIFICATIONS ARE THE PROPERTY OF NorComp AND SHALL NOT BE REPRODUCED, COPIED OR USED AS THE BASIS FOR THE MANUFACTURE OR SALE OF APPARATUS WITHOUT WRITTEN PERMISSION.

DRAWN:

**P. JENKINS**

DATE:

**09/15/2005**

**NorComp**

SCALE: NTS

SHEET 1 OF 1

REV 2

DWG NO.

**993-025-YYYYRYY1**

## X-ON Electronics

Largest Supplier of Electrical and Electronic Components

*Click to view similar products for [D-Sub Backshells](#) category:*

*Click to view products by [NorComp](#) manufacturer:*

Other Similar products are found below :

[600X51137X](#) [600X54009X](#) [66241-12A](#) [M85049/6-38N](#) [M85049/86-12N03](#) [M85049/90-13P03](#) [70.350.0636.4](#) [70.350.2435.1](#) [72.350.1035.2](#)  
[72.352.2435.1](#) [73.359.4035.3](#) [829472-1](#) [PCS-E20W](#) [970-015-040R011](#) [971-009-030R121](#) [971-009-040R011](#) [971-015-040R011](#) [DPH-B-003](#)  
[1437013-9](#) [1484402-8](#) [156-3025-EX](#) [16-500800](#) [165X02659X](#) [165X03329A](#) [165X03399A](#) [165X10259X](#) [165X11359X](#) [165X11759X](#)  
[165X11889X](#) [165X11899X](#) [165X13019X](#) [165X13029X](#) [165X13169X](#) [165X13199X](#) [165X13239X](#) [165X13389X](#) [165X13489X](#)  
[165X14219X](#) [165X14429X](#) [165X14449X](#) [165X17409X](#) [165X17439X](#) [165X17569X](#) [165X17599X](#) [165X17609X](#) [165X17889X](#)  
[165X17979X](#) [L171373](#) [971-025-030R121](#) [300X10989X](#)