

DESCRIPTION: **994 SERIES ETHERNET STRAIGHT BACKSHELL**

- BACKSHELL KIT INCLUDES:**
- (2) BACKSHELL HALVES
  - (2) HOUSING SCREWS
  - (2) HOUSING NUTS
  - (2) STRAIN RELIEF CLAMPS
  - (2) STRAIN RELIEF SCREWS

994-YYY-YYYRYY1

SERIES \_\_\_\_\_

POSITIONS \_\_\_\_\_

009

015

025

MATERIAL \_\_\_\_\_

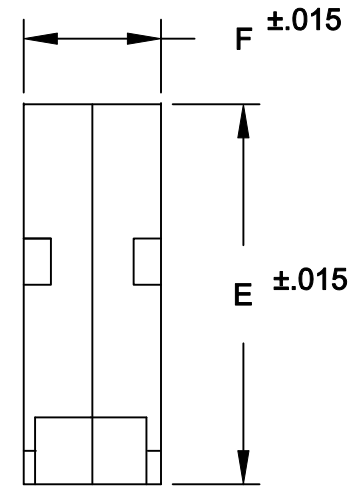
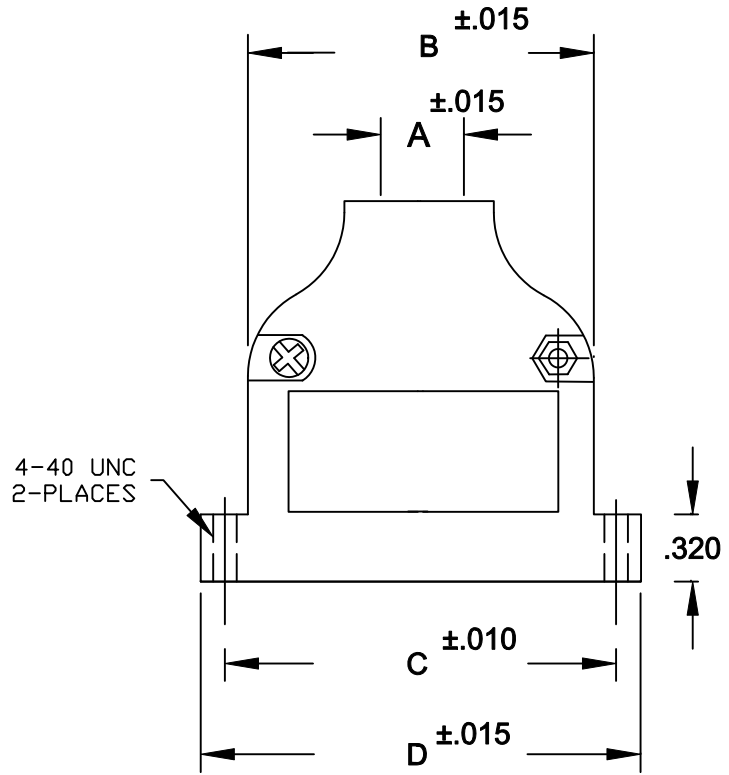
030 = ZINC

COLOR: \_\_\_\_\_

12 = NICKEL OVER COPPER

PUT-UPS \_\_\_\_\_

1 = KIT



SIZE	A	B	C	D	E	F
9 POS	.433	.790	.984	1.244	1.82	.614
15 POS	.433	1.135	1.312	1.575	1.82	.665
25 POS	.433	1.640	1.852	2.106	1.82	.630

**MATERIAL: DIE-CAST ZINC ALLOY**

**NICKEL PLATED**

**RoHS COMPLIANT**

	THESE DRAWINGS AND SPECIFICATIONS ARE THE PROPERTY OF NorComp AND SHALL NOT BE REPRODUCED, COPIED OR USED AS THE BASIS FOR THE MANUFACTURE OR SALE OF APPARATUS WITHOUT WRITTEN PERMISSION.		DRAWN: <b>PAM JENKINS</b>	DATE: <b>9-15-05</b>	
	<h1>NorComp</h1>			CHECKED:	DATE:
SCALE				SHEET OF	REV
DWG NO. <b>994-0YY-030R121</b>				<b>3</b>	

## X-ON Electronics

Largest Supplier of Electrical and Electronic Components

*Click to view similar products for [D-Sub Backshells](#) category:*

*Click to view products by [NorComp](#) manufacturer:*

Other Similar products are found below :

[600X51137X](#) [600X54009X](#) [66241-12A](#) [M85049/6-38N](#) [M85049/86-12N03](#) [M85049/90-13P03](#) [70.350.0636.4](#) [70.350.2435.1](#) [72.350.1035.2](#)  
[72.352.2435.1](#) [73.359.4035.3](#) [829472-1](#) [PCS-E20W](#) [970-015-040R011](#) [971-009-030R121](#) [971-009-040R011](#) [971-015-040R011](#) [DPH-B-003](#)  
[1437013-9](#) [1484402-8](#) [156-3025-EX](#) [16-500800](#) [165X02659X](#) [165X03329A](#) [165X03399A](#) [165X10259X](#) [165X11359X](#) [165X11759X](#)  
[165X11889X](#) [165X11899X](#) [165X13019X](#) [165X13029X](#) [165X13169X](#) [165X13199X](#) [165X13239X](#) [165X13389X](#) [165X13489X](#)  
[165X14219X](#) [165X14429X](#) [165X14449X](#) [165X17409X](#) [165X17439X](#) [165X17569X](#) [165X17599X](#) [165X17609X](#) [165X17889X](#)  
[165X17979X](#) [L171373](#) [971-025-030R121](#) [300X10989X](#)