

DESCRIPTION: 15 POS HIGH DENSITY OVER (2) PS/2

SPECIFICATIONS:

ELECTRICAL:

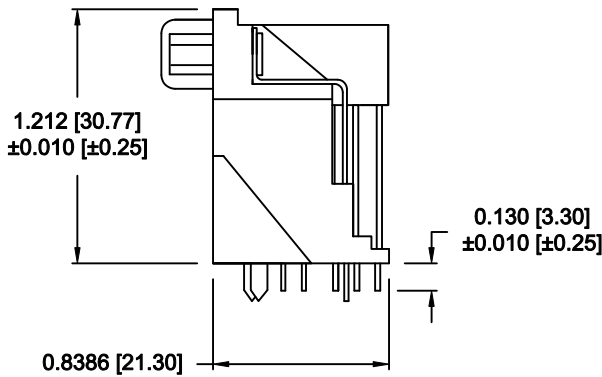
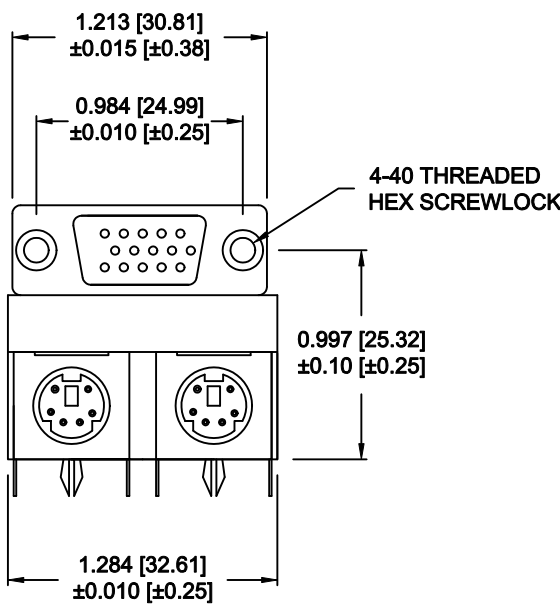
- CURRENT RATING: 3 AMPS
- INSULATOR RESISTANCE: 5,000 MegOHMS Min.
- DIELECTRIC WITHSTANDING: 1,00VAC FOR 60SEC.
- CONTACT RESISTANCE: 25MillioHMS Max.
- OPERATING TEMPERATURE: -55° ~ +105° C

MATERIAL:

- CONTACTS: BRASS
- INSULATOR: NYLON 9T, UL94V-0
- PROCESS TEMPERATURE: 230°C
- HIGH DENSITY D-SUB: BLUE
- MINI-DIN = LEFT PORT: PURPLE
- RIGHT PORT: GREEN
- SHELL: COLD ROLL STEEL

PLATING:

- CONTACTS: GOLD FLASH
- SHELL: NICKEL

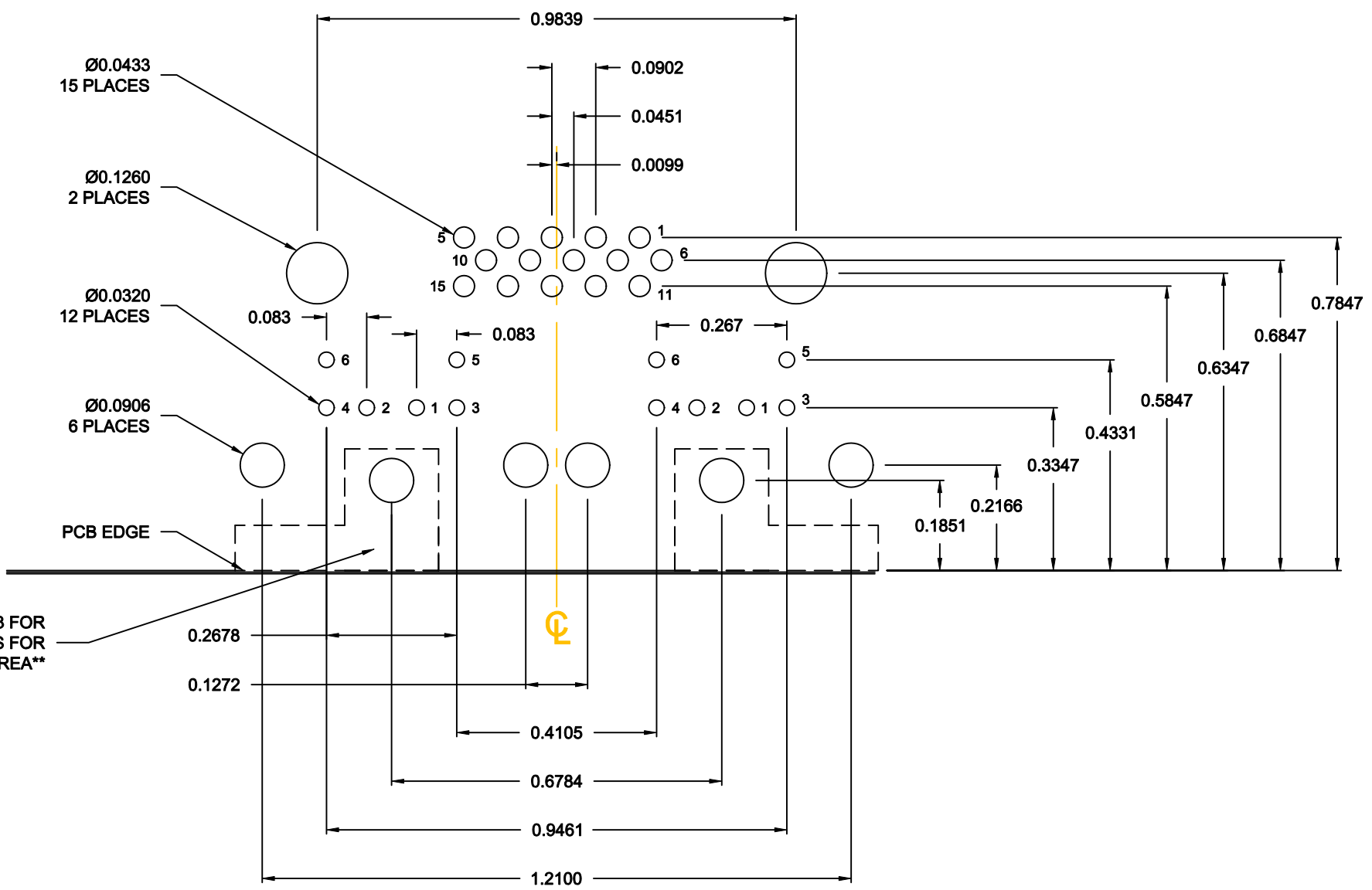


DO NOT SCALE FROM DRAWING

	THESE DRAWINGS AND SPECIFICATIONS ARE THE PROPERTY OF NorComp AND SHALL NOT BE REPRODUCED, COPIED OR USED AS THE BASIS FOR THE MANUFACTURE OF SALE OF APPARATUS WITHOUT WRITTEN PERMISSION.		DRAWN: PAM JENKINS	DATE: 11-15-05
			CHECKED:	DATE:
NorComp		SCALE: 1 : 1	SHEET 1 OF 4	REV 7
		DWG NO. 999-H15-PS2L571		

RoHS COMPLIANT

DESCRIPTION: FOOTPRINT FOR HIGH RISE PS/2



SEE PAGE 3 FOR DIMENSIONS FOR THIS AREA

DO NOT SCALE FROM DRAWING



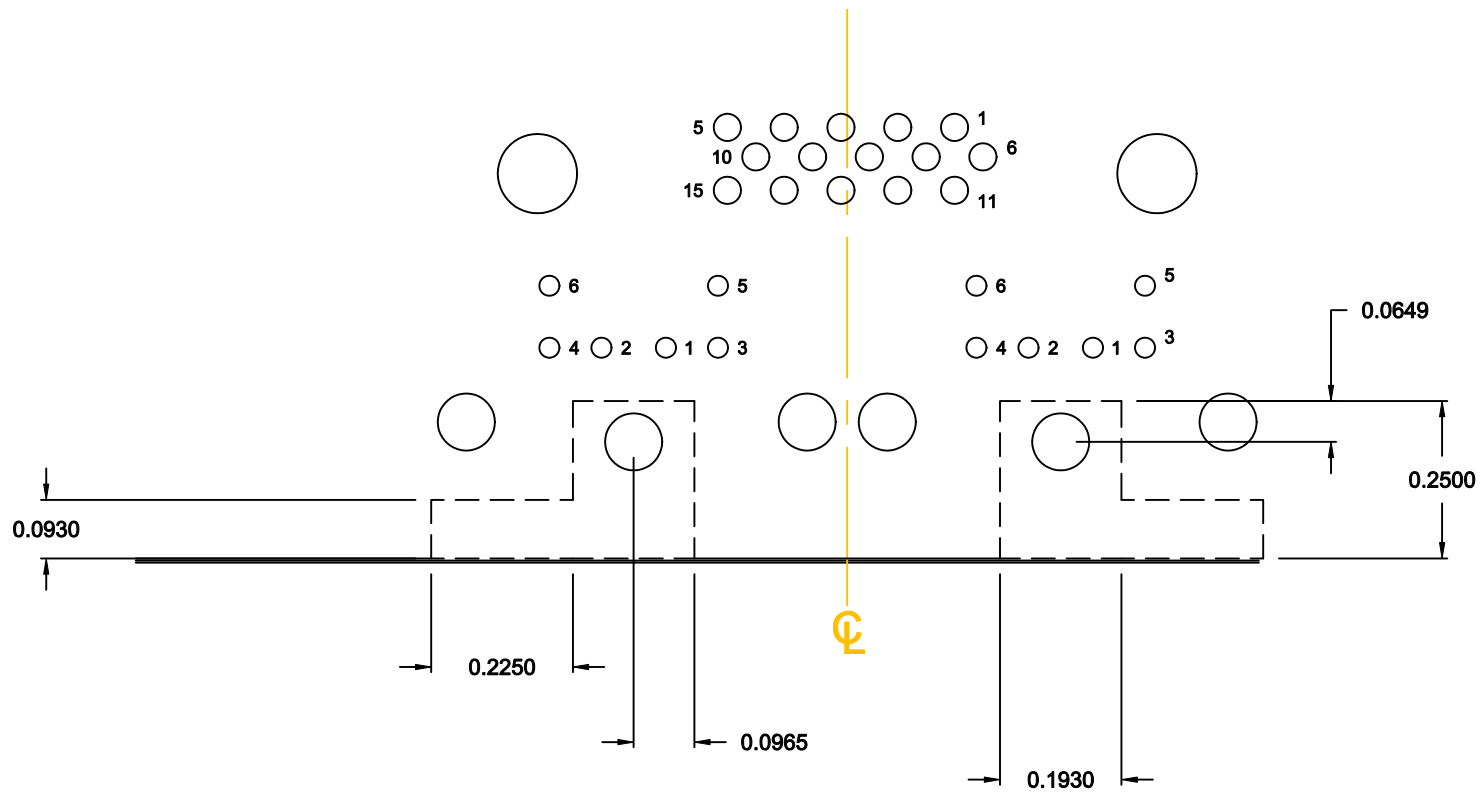
THESE DRAWINGS AND SPECIFICATIONS ARE THE PROPERTY OF NorComp AND SHALL NOT BE REPRODUCED, COPIED OR USED AS THE BASIS FOR THE MANUFACTURE OF SALE OF APPARATUS WITHOUT WRITTEN PERMISSION.

DRAWN: PAM JENKINS		DATE: 11-15-05	
CHECKED:		DATE:	
SCALE: 1:1	SHEET 2	OF 4	REV 7
DWG NO. 999-H15-PS2L571			

NorComp

RoHS COMPLIANT

DESCRIPTION: FOOTPRINT FOR HIGH RISE PS/2



DO NOT SCALE FROM DRAWING



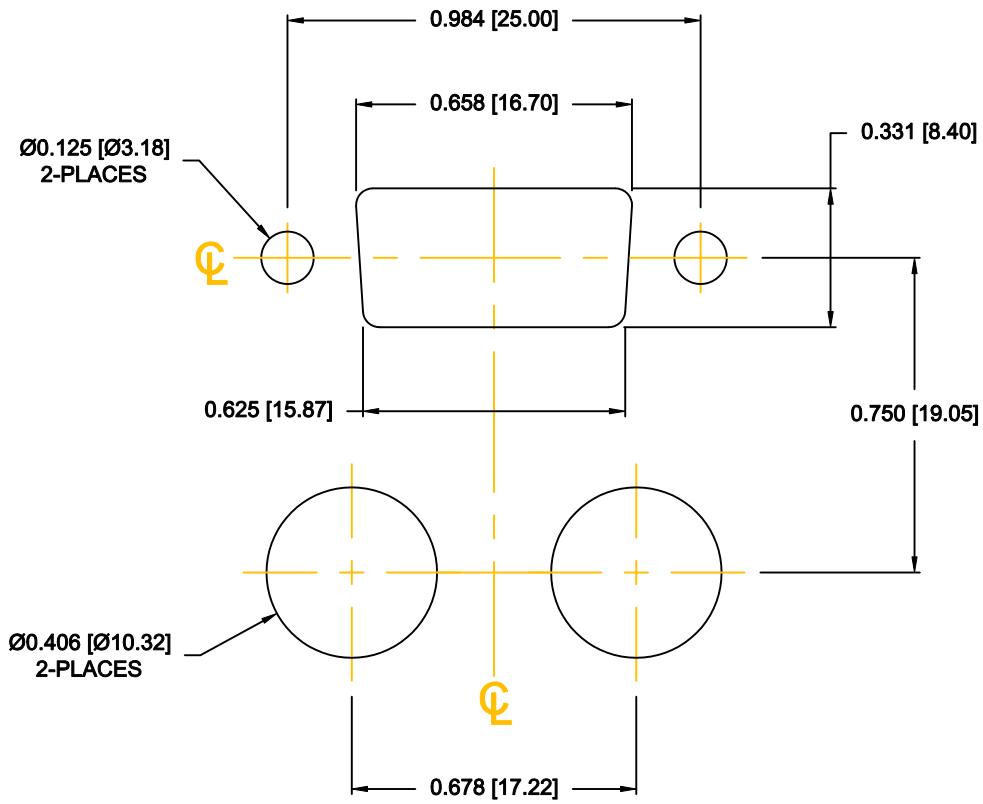
THESE DRAWINGS AND SPECIFICATIONS ARE THE PROPERTY OF NorComp AND SHALL NOT BE REPRODUCED, COPIED OR USED AS THE BASIS FOR THE MANUFACTURE OF SALE OF APPARATUS WITHOUT WRITTEN PERMISSION.

DRAWN: PAM JENKINS		DATE: 11-15-05	
CHECKED:		DATE:	
SCALE: 1:1	SHEET 3 OF 4	REV 7	
DWG NO. 999-H15-PS2L571			


RoHS COMPLIANT

NorComp

DESCRIPTION: PANEL CUTOUT FOR HIGH RISE PS/2



DO NOT SCALE FROM DRAWING

	THESE DRAWINGS AND SPECIFICATIONS ARE THE PROPERTY OF NorComp AND SHALL NOT BE REPRODUCED, COPIED OR USED AS THE BASIS FOR THE MANUFACTURE OF SALE OF APPARATUS WITHOUT WRITTEN PERMISSION.		DRAWN: C. SMITH	DATE: 08-31-06
			CHECKED:	DATE:
<h1>NorComp</h1>		SCALE: 2 : 1	SHEET 4 OF 4	REV 7
		DWG NO. 999-H15-PS2L571		

RoHS COMPLIANT

X-ON Electronics

Largest Supplier of Electrical and Electronic Components

Click to view similar products for [D-Sub Dualport Connectors](#) category:

Click to view products by [NorComp](#) manufacturer:

Other Similar products are found below :

[787672-3](#) [164A15909X](#) [K42X-E15S/S-A4NJ](#) [K42X-E9SS-A4NJ](#) [242A14060X](#) [164A15819X](#) [DLS2SS5AN21X](#) [241A22450X](#) [242A14180X](#)
[241A14190X](#) [DLS4SS5AN21X](#) [178-037-513R491](#) [178-037-613R491](#) [178-009-413R571](#) [178-009-513R571](#) [178-009-613R491](#) [178-009-613R691](#) [178-015-513R571](#) [178-015-613R571](#) [178-025-413R571](#) [178-025-513R571](#) [179-009-613R571](#) [179-025-513R571](#) [179-037-513R571](#)
[K42X-E15S/S-A4N](#) [L17H2220131](#) [178-015-513R491](#) [178-025-613R481](#) [178-025-613R571](#) [178-037-513R571](#) [178-037-513R671](#)
[L17H2220120](#) [L17H2ED0130](#) [L17H1440130](#) [L17H1770231](#) [L17H2110120](#) [L17H2440120TM](#) [L17H1431134](#) [L17H1212130](#) [L17H2212120](#)
[L17H1222134](#) [L17H2662120TM](#) [L17H2550120](#) [L17H2440120](#) [L17H2440121](#) [L17H1120134](#) [L17H2120120](#) [L17H2120230](#) [L17H1440134](#)
[L17H2990130](#)