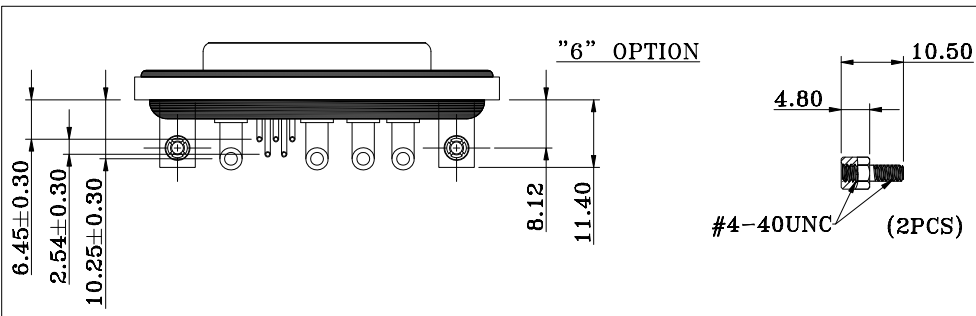
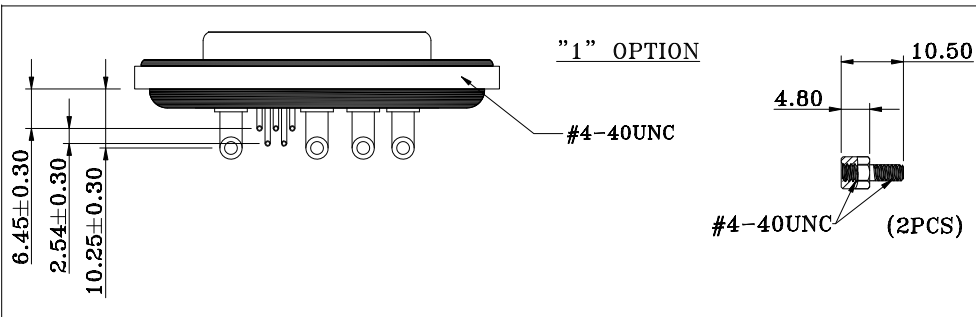


CONTACT Ø AT TERMINATION SIDE  
 SIGNAL CONTACTS = Ø0.65  
 20 AMP = Ø2.80  
 40 AMP = Ø3.75

**HARDWARE OPTIONS**



**NOTE:**

**MATERIAL**

- |                  |                              |
|------------------|------------------------------|
| HOUSING          | PBT UL94V-0, BLACK           |
| FLANGE           | PBT UL94V-0, BLACK           |
| CONTACT          | BRASS, PLATING P/N KEY BELOW |
| SHELL            | STEEL, NICKEL                |
| O-RING           | SILICONE                     |
| SEALING COMPOUND | EPOXY                        |
| HARDWARE         | BRASS; NICKEL PLATED         |

**ELECTRICAL**

- |                              |                |
|------------------------------|----------------|
| SIGNAL CONTACT RATED CURRENT | 5A             |
| POWER CONTACT RATED CURRENT  | P/N KEY BELOW  |
| VOLTAGE                      | 1000 VAC 1 MIN |
| INSULATOR RESISTANCE         | 5 Gohms MIN.   |
| SIGNAL CONTACT RESISTANCE    | 10 mOhms MAX.  |
| POWER CONTACT RESISTANCE     | 1.0 mOhms MAX. |
| WATER PROOF                  | IP67           |

**ENVIRONMENT**

- |                       |                |
|-----------------------|----------------|
| OPERATION TEMPERATURE | -25°C TO +85°C |
|-----------------------|----------------|

**CDFR9W4213LYYY**

- SERIES \_\_\_\_\_
- CDF = COMBO DSUB FLANGE
- CONTACT TYPE \_\_\_\_\_
- R = RIGHT ANGLE PCB MOUNT
- POSITION \_\_\_\_\_
- 9W4
- GENDER \_\_\_\_\_
- 2 = FEMALE
- POWER CONTACT AMPERAGE \_\_\_\_\_
- 2 = 20 AMPS
- 4 = 40 AMPS
- HARDWARE OPTIONS \_\_\_\_\_
- 1 = 4-40 THREADED INSERTS/4-40 JACKSCREWS
- 6 = 4-40 THREADED BRACKETS & BOARD LOCKS/4-40 JACKSCREWS
- CONTACT PLATING OPTIONS \_\_\_\_\_
- 1 = GOLD FLASH
- 2 = 30u" GOLD PLATING

**RoHS COMPLIANT**

**TOLERANCES**

- X. ±0.40  
 .X ±0.30  
 .XX ±0.20  
 .XXX ±0.10

UNITS = mm

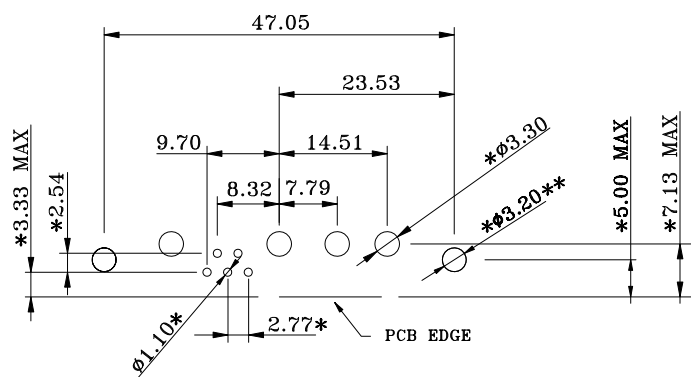
**DO NOT SCALE FROM DRAWING**

	THESE DRAWINGS AND SPECIFICATIONS ARE THE PROPERTY OF NorComp AND SHALL NOT BE REPRODUCED, COPIED OR USED AS THE BASIS FOR THE MANUFACTURE OR SALE OF APPARATUS WITHOUT WRITTEN PERMISSION.	DRAWN: J. KADEL
		DATE: 04/22/2020

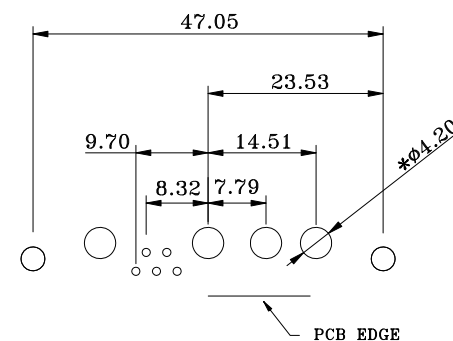
	SCALE: NTS	SHEET OF 1 2	REV 0
	DWG NO. CDFR9W4213LYYY		

**\*\* $\phi$ 3.20MM HOLES NOT NEEDED FOR "1" HARDWARE OPTION**

**20 AMP CONFIGURATION**



**40 AMP CONFIGURATION**



**RECOMMENDED PCB LAYOUT**

**\*TYPICAL // HOLE SIZE MAY NOT BE SUITABLE FOR YOUR SPECIFIC APPLICATION**

**RoHS COMPLIANT**



THESE DRAWINGS AND SPECIFICATIONS ARE THE PROPERTY OF NorComp AND SHALL NOT BE REPRODUCED, COPIED OR USED AS THE BASIS FOR THE MANUFACTURE OR SALE OF APPARATUS WITHOUT WRITTEN PERMISSION.

DRAWN:  
**J. KADEL**  
DATE:  
**04/22/2020**

**TOLERANCES**  
X.  $\pm$ 0.40  
.X  $\pm$ 0.30  
.XX  $\pm$ 0.20  
.XXX  $\pm$ 0.10

UNITS = mm

**DO NOT SCALE FROM DRAWING**

**NorComp**

SCALE:  
NTS  
DWG NO.

SHEET OF  
2 2

REV  
0

**CDFR9W4213LYYY**

## X-ON Electronics

Largest Supplier of Electrical and Electronic Components

*Click to view similar products for [D-Sub Mixed Contact Connectors](#) category:*

*Click to view products by [NorComp](#) manufacturer:*

Other Similar products are found below :

[790-025SF-5P5NMN](#) [790-025SJ-7P7NML](#) [DAM-7W2PC](#) [L717TWB5W5P3R](#) [L717TWB5W5PRM84](#) [L717TWP3W3P](#)  
[3003W3PXX56N40X](#) [3005W5PXX99E40X](#) [3005W5SXX99A30X](#) [3005W5SXX99E40X](#) [3013W6SCM99A10X](#) [3036W4PCM41A10X](#)  
[3036W4SCM99A10X](#) [FCE17-E2W2SS-2N0](#) [212522-7](#) [PII-468-1](#) [3003W3PXX43A10X](#) [3003W3SXX56N40X](#) [3005W5PXX88N40X](#)  
[3008W8SXX57A30X](#) [3009W4PCT57P20X](#) [3011W1SXX99A10X](#) [3017W2SAR69C40X](#) [3024W7SCM99A10X](#) [321WA4PXX99A60X](#)  
[3F3SSC22S41A30X](#) [L717TWA7W2PP2SY3R](#) [DBM-17W2S-1A8N-A190-A197-1](#) [421WA4PCR50E20X](#) [09691009009](#) [09691100022500](#)  
[09693009176](#) [09692009147](#) [09693909015](#) [6017W2PCM41B30X](#) [790-061SH-36W2NMNA](#) [790-044SE-7P3MNPB](#) [790-043PE-11P2MPA](#)  
[790-043PB-2P2MPB](#) [790-029SB-2P2MEPA](#) [790-028PK-9P9MPA](#) [790-028PH-54P2MGA](#) [790-028PH-36P2MNA](#) [790-028PB-2P2MPA](#) [790-](#)  
[027SH-5W5MTEP](#) [790-026PH-54P2ZNUG](#) [790-026PH-54P2MP](#) [790-026PH-36P2ZNUG](#) [790-026PH-36P2MG](#) [790-026PD-3P3MP](#)