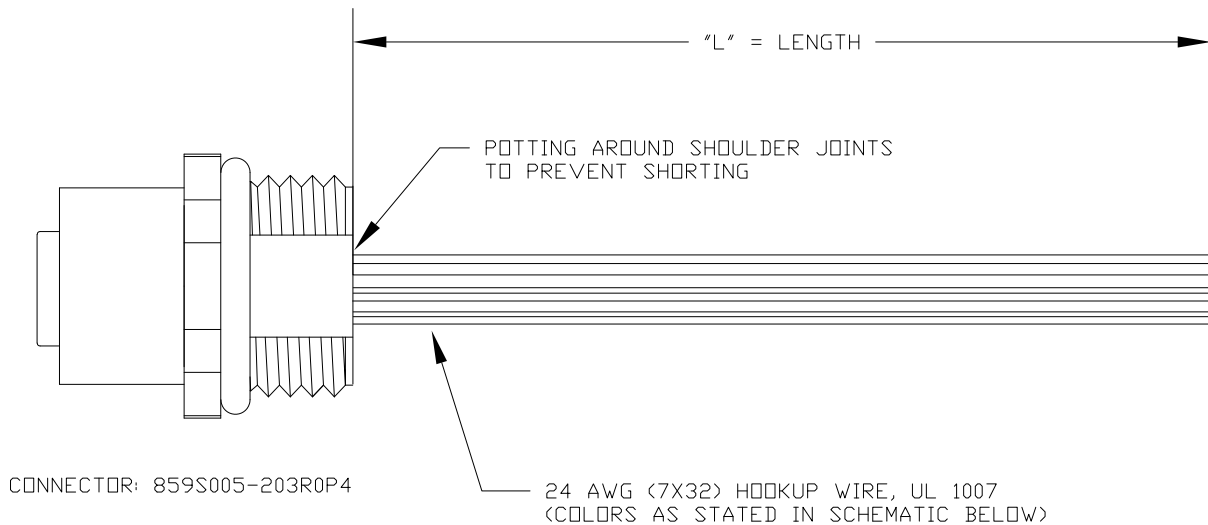
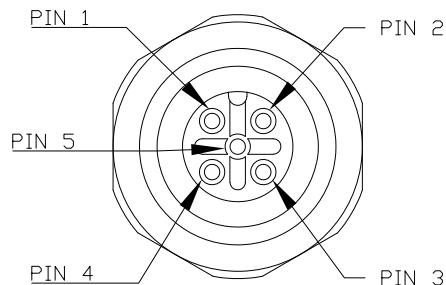


DESCRIPTION: M12 5 POSITION BRASS FEMALE PIGTAIL



**SEE PAGE 2 FOR DETAILS

WIRING SCHEMATIC

| 1 | 2 |
|-----------|-----------|
| PIN | PIN |
| 1 = BROWN | 1 = RED |
| 2 = WHITE | 2 = GREEN |
| 3 = BLUE | 3 = BLACK |
| 4 = BLACK | 4 = WHITE |
| 5 = GREY | 5 = GREY |

FPM12A05IYYAF0Y
 INCHES
 01 = WIRING SCHEMATIC 1
 02 = WIRING SCHEMATIC 2
 LENGTH
 EX: 06 = 6 INCHES
 12 = 12 INCHES

NOTE: PACKAGED 10 PER BAG

RoHS COMPLIANT

UNITS IN INCHES [MM] DO NOT SCALE FROM DRAWING



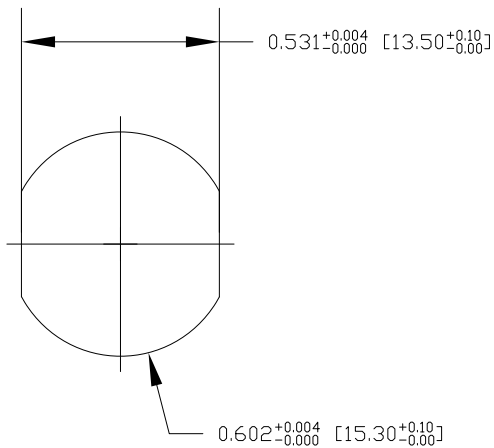
THESE DRAWINGS AND SPECIFICATIONS ARE THE PROPERTY OF NorComp AND SHALL NOT BE REPRODUCED, COPIED OR USED AS THE BASIS FOR THE MANUFACTURE OR SALE OF APPARATUS WITHOUT WRITTEN PERMISSION.

DRAWN:
G. BROWN
 DATE:
 01/23/2019

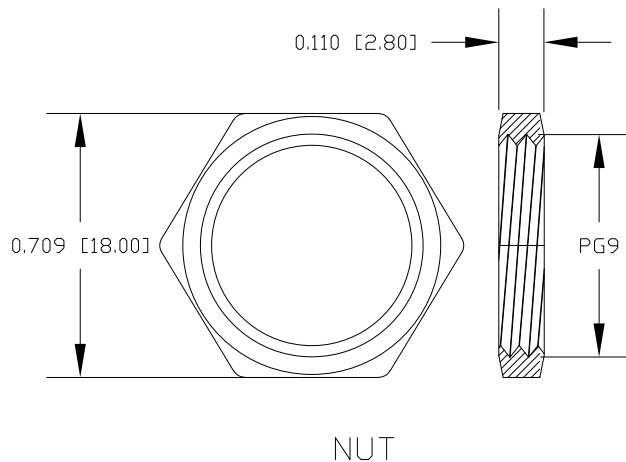
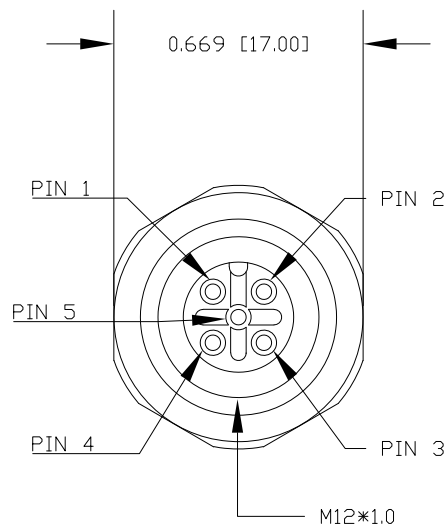
NorComp

| | | | |
|----------------------------|------------|---------|----------|
| SCALE: NTS | SHEET 1 | OF 2 | REV 2 |
| DWG NO. FPM12A05IYYAF0Y | | | |

DESCRIPTION: M12 5 POSITION BRASS FEMALE PIGTAIL

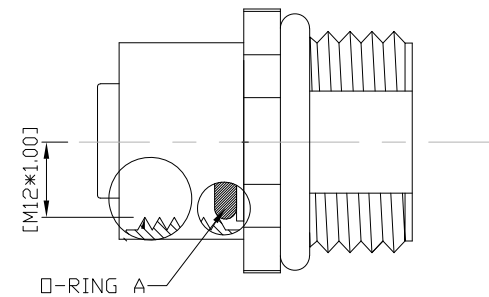
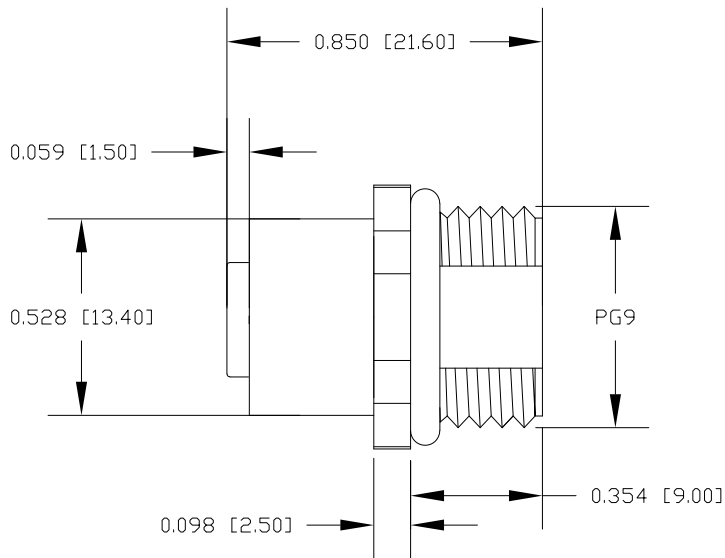


RECOMMENDED PANEL CUT-OUT



NOTE:

| | |
|------------------------|------------------------|
| MATERIAL | |
| HOUSING: | PBT UL94V-0, BLACK |
| CONTACT: | BRASS |
| NUT: | BRASS |
| SHELL: | BRASS |
| O-RING: | EPDM, BLACK |
| FINISH | |
| CONTACT: | GOLD PLATED, 10μ" Min. |
| UNDER PLATE: | NICKEL |
| NUT: | NICKEL PLATED |
| SHELL: | NICKEL PLATED |
| ELECTRICAL | |
| RATED CURRENT: | 4A |
| RATED VOLTAGE: | 60V |
| INSULATION RESISTANCE: | 100MΩ MIN |
| CONTACT RESISTANCE: | 10mΩ MAX |
| WATER PROOF: | IP67/68 |
| ENVIRONMENT | |
| OPERATION TEMPERATURE: | -40°C ~ +85°C |



RoHS COMPLIANT

UNITS IN INCHES [MM] DO NOT SCALE FROM DRAWING



THESE DRAWINGS AND SPECIFICATIONS ARE THE PROPERTY OF NorComp AND SHALL NOT BE REPRODUCED, COPIED OR USED AS THE BASIS FOR THE MANUFACTURE OR SALE OF APPARATUS WITHOUT WRITTEN PERMISSION.

DRAWN:
G. BROWN
DATE:
01/23/2019

NorComp

| | | | |
|---------------|------------|-----------------|----------|
| SCALE: NTS | SHEET 2 | OF 2 | REV 2 |
| DWG NO. | | FPM12A05IYYAF0Y | |

X-ON Electronics

Largest Supplier of Electrical and Electronic Components

Click to view similar products for [Circular Metric Connectors](#) category:

Click to view products by [NorComp](#) manufacturer:

Other Similar products are found below :

[600X518037X](#) [6STD15PCR99B70A](#) [8R4000A16M020](#) [8R5000A16M005](#) [1200910002](#) [1203580030](#) [1200910008](#) [1200910011](#) [1300140094](#)
[130203-0054](#) [1300140026](#) [1300150099](#) [RF-12S1N8A90DU](#) [1-3637-600-5205](#) [1612618](#) [21036836414](#) [8R4006A16M010](#) [1604232](#)
[1R3006A20M005](#) [RF-12P1N8A90DU](#) [41-40011](#) [42-00006](#) [42-01015](#) [4-22279-4](#) [4-22281-1](#) [4-22284-9](#) [43-00113](#) [43-01088](#) [43-01203](#) [41-](#)
[40013](#) [42-00008](#) [43-00343](#) [43-01026](#) [43-01162](#) [43-01173](#) [43-10000](#) [XS3P-M421-2](#) [600X518050X](#) [SACC-DSI-FS-5P-PG9-L180 SC](#)
[8R5006A16M020](#) [8R5006A16M005](#) [8R4000A16M010](#) [6-22279-3](#) [1605332](#) [N03FA03144](#) [1300140077](#) [43-16213](#) [43-01338](#) [XS2RD4265](#)
[XS2R-D426-1](#)