

WIRING SCHEMATIC

1		2	
PIN		PIN	
1	= BROWN	1	= RED
2	= WHITE	2	= GREEN
3	= BLUE	3	= BLACK
4	= BLACK	4	= WHITE
5	= GREY	5	= GREY

FPM12A05IYYDR0Y

INCHES ———

01 = WIRING SCHEMATIC 1  
02 = WIRING SCHEMATIC 2

LENGTH  
EX: 06 = 6 INCHES  
12 = 12 INCHES

NOTE: PACKAGED 10 PER BAG

**RoHS COMPLIANT**

UNITS IN INCHES [MM] DO NOT SCALE FROM DRAWING



THESE DRAWINGS AND SPECIFICATIONS ARE THE PROPERTY OF NorComp AND SHALL NOT BE REPRODUCED, COPIED OR USED AS THE BASIS FOR THE MANUFACTURE OR SALE OF APPARATUS WITHOUT WRITTEN PERMISSION.

DRAWN:  
**G. BROWN**  
DATE:  
01/23/2019

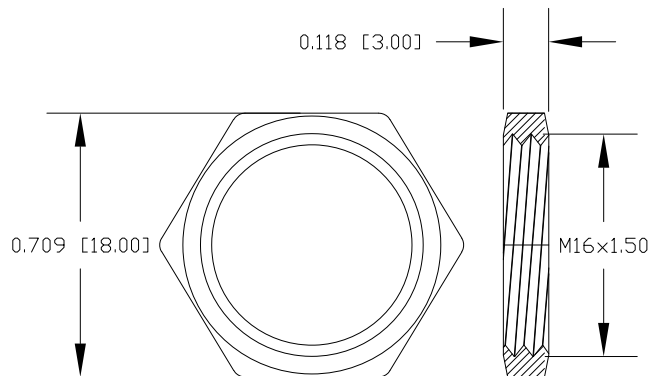
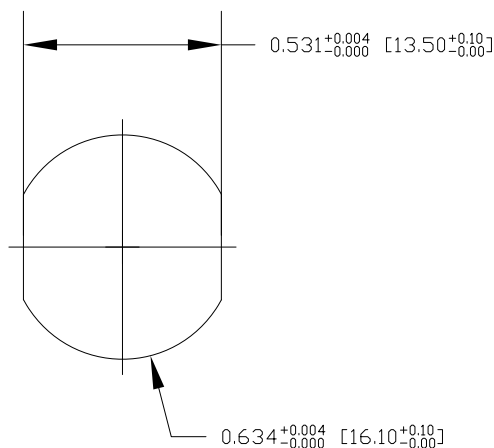
**NorComp**

SCALE: NTS	SHEET 1	OF 2	REV 2
DWG NO. <b>FPM12A05IYYDR0Y</b>			

DESCRIPTION: M12 5 POSITION STAINLESS STEEL FEMALE PIGTAIL

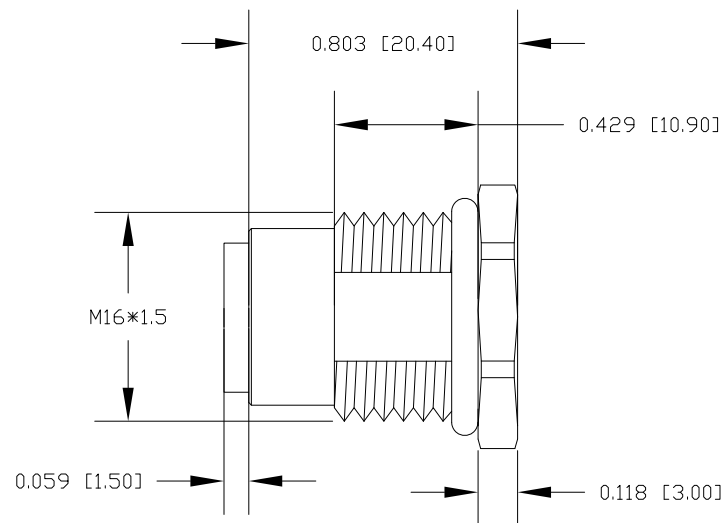
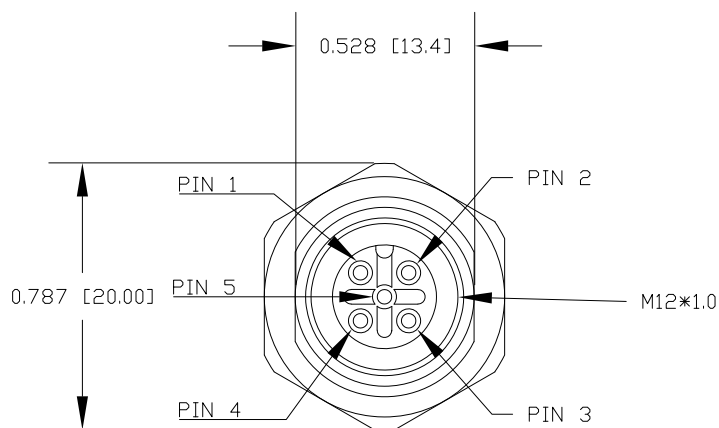
NOTE:

MATERIAL  
 HOUSING: PBT UL94V-0, BLACK  
 CONTACT: BRASS  
 NUT: STAINLESS STEEL 316  
 SHELL: STAINLESS STEEL 316  
 O-RING: EPDM, BLACK  
 FINISH  
 CONTACT: GOLD PLATED 10μ" Min.  
 UNDER PLATE: NICKEL  
 ELECTRICAL  
 RATED CURRENT: 4A  
 RATED VOLTAGE: 60V  
 INSULATION RESISTANCE: 100MΩ MIN  
 CONTACT RESISTANCE: 10mΩ MAX  
 WATER PROOF: IP67/68  
 ENVIRONMENT  
 OPERATION TEMPERATURE: -40°C ~ +85°C



NUT

RECOMMENDED PANEL CUT-OUT



RoHS COMPLIANT

UNITS IN INCHES [MM] DO NOT SCALE FROM DRAWING



THESE DRAWINGS AND SPECIFICATIONS ARE THE PROPERTY OF NorComp AND SHALL NOT BE REPRODUCED, COPIED OR USED AS THE BASIS FOR THE MANUFACTURE OR SALE OF APPARATUS WITHOUT WRITTEN PERMISSION.

DRAWN:  
**G. BROWN**  
 DATE:  
 01/23/2019

NorComp

SCALE: NTS	SHEET 2	OF 2	REV 2
DWG NO.		FPM12A05IYYDR0Y	

## X-ON Electronics

Largest Supplier of Electrical and Electronic Components

*Click to view similar products for [Circular Metric Connectors](#) category:*

*Click to view products by [NorComp](#) manufacturer:*

Other Similar products are found below :

[600X518037X](#) [6STD15PCR99B70A](#) [8R4000A16M020](#) [8R5000A16M005](#) [1200910002](#) [1203580030](#) [1200910008](#) [1200910011](#) [1300140094](#)  
[130203-0054](#) [1300140026](#) [1300150099](#) [RF-12S1N8A90DU](#) [1-3637-600-5205](#) [1612618](#) [21036836414](#) [8R4006A16M010](#) [1604232](#)  
[1R3006A20M005](#) [RF-12P1N8A90DU](#) [41-40011](#) [42-00006](#) [42-01015](#) [4-22279-4](#) [4-22281-1](#) [4-22284-9](#) [43-00113](#) [43-01088](#) [43-01203](#) [41-](#)  
[40013](#) [42-00008](#) [43-00343](#) [43-01026](#) [43-01162](#) [43-01173](#) [43-10000](#) [XS3P-M421-2](#) [600X518050X](#) [SACC-DSI-FS-5P-PG9-L180 SC](#)  
[8R5006A16M020](#) [8R5006A16M005](#) [8R4000A16M010](#) [6-22279-3](#) [1605332](#) [N03FA03144](#) [1300140077](#) [43-16213](#) [43-01338](#) [XS2RD4265](#)  
[XS2R-D426-1](#)