

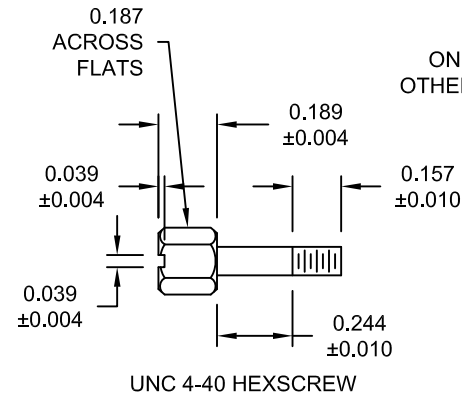
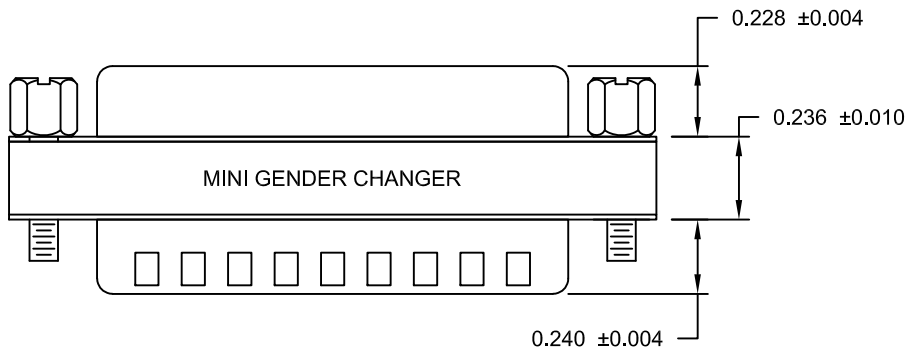
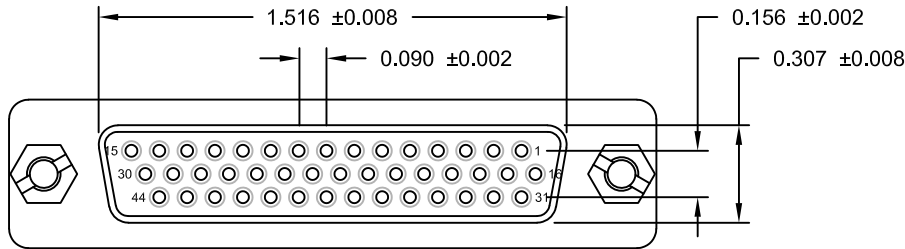
DESCRIPTION: 44-PIN MALE / FEMALE HIGH DENSITY GENDER CHANGER

SPECIFICATION:

INSULATOR: PBT GLASS FIBER REINFORCED
 UL 94V0
 CONTACT: BRASS
 CONTACT PLATING: GOLD PLATED OVER NICKEL
 SHELL: TIN PLATED SHELL
 CURRENT RATING: 3 AMP
 DIELECTRIC STRENGTH: 1,000VAC FOR 1 MINUTE
 INSULATION RESISTANCE: 1,000 MegOHMS MIN @500 VDC
 TEMPERATURE: -55° C - +105° C

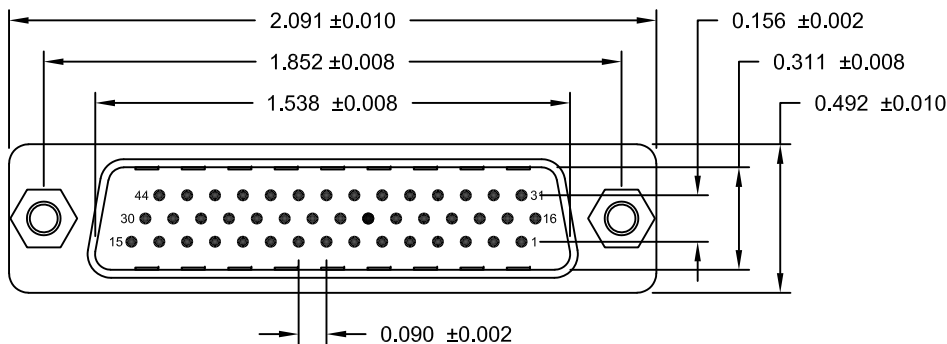
NOTE:

LABEL: YELLOW COLOR WITH
 BLACK CHARACTORS
 ONE SIDE: MINI GENDER CHANGER
 OTHER SIDE: U.S.A. PATENT 5199906



44-PIN MALE		44-PIN FEMALE
1	-----	1
2	-----	2
3	-----	3
~		
43	-----	43
44	-----	44
SHELL	-----	SHELL

PIN OUT



DO NOT SCALE FROM DRAWING



THESE DRAWINGS AND SPECIFICATIONS ARE THE PROPERTY OF NorComp AND SHALL NOT BE REPRODUCED, COPIED OR USED AS THE BASIS FOR THE MANUFACTURE OF SALE OF APPARATUS WITHOUT WRITTEN PERMISSION.

DRAWN: C. SMITH		DATE: 10-15-07	
SCALE: NTS	SHEET 1	OF 1	REV 2
DWG NO. GCHDLP44M44F			

RoHS COMPLIANT

NorComp

X-ON Electronics

Largest Supplier of Electrical and Electronic Components

Click to view similar products for D-Sub Adapters & Gender Changers category:

Click to view products by [NorComp](#) manufacturer:

Other Similar products are found below :

[243A10120X](#) [243A11070X](#) [243A13290X](#) [243A13460X](#) [300X10729X](#) [300X10759X](#) [GCHDLP26F26F](#) [30-9532P](#) [40-9586FP](#) [500-135](#) [40-9526HDMP](#) [56F715-003](#) [243A11800X](#) [243A10560X](#) [40-9526HDSP](#) [243A11060X](#) [243A10580X](#) [56-725-001](#) [SC485](#) [173114-0088](#) [173114-0099](#) [76000670](#) [76000700](#) [NADB9MF](#) [2902323](#) [2902326](#) [40-9538F](#) [NADB15FF-B](#) [NADB9FF-B](#) [243A10030X](#) [76000671](#) [163A50029X](#) [16-501373](#) [FCC17-E09AD-210](#) [FCE17-A15AD-250](#) [FCE17-B25AD-210](#) [FCE17-B25AD-250](#) [FCE17B25AD290](#) [FCE17-E09AD-210](#) [FCE5709500430](#) [2310387](#) [GCHDLP44M44M](#) [GCLP25M25F](#) [FCC17A15AD2E0](#) [FCC17C37AD280](#) [FCC17-E09AD-280](#) [FCC17E09AD293](#) [FCC17E09AD4D0](#) [FCE17-A15AD-290](#) [FCE17-E09AD-240](#)