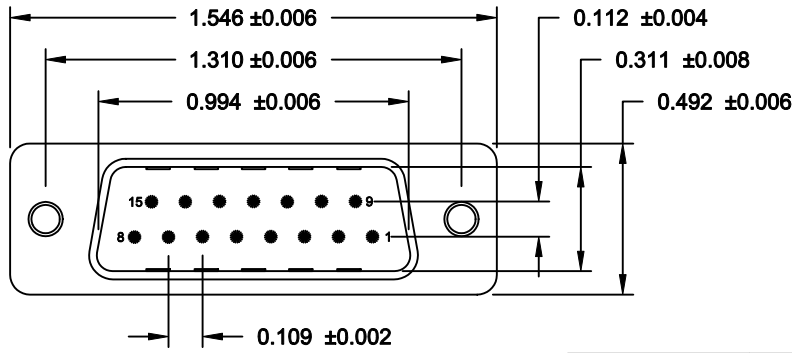
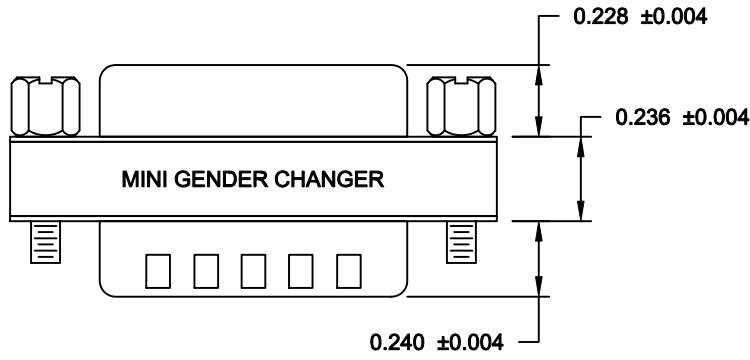
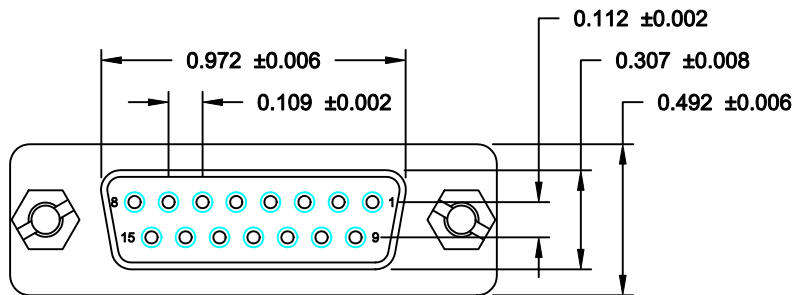


DESCRIPTION: 15-PIN MALE / FEMALE GENDER CHANGER

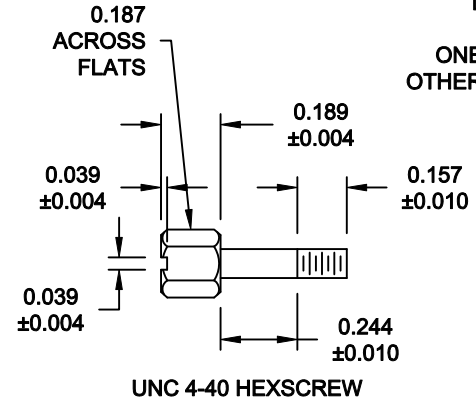


SPECIFICATION:

INSULATOR: PBT GLASS FIBER REINFORCED UL 94VO
 CONTACT: BRASS
 CONTACT PLATING: GOLD PLATED OVER NICKEL
 SHELL: TIN PLATED SHELL
 CURRENT RATING: 5 AMP
 DIELECTRIC STRENGTH: 1,000VAC FOR 1 MINUTE
 INSULATION RESISTANCE: 1,000 MegOHMS MIN @500 VDC
 TEMPERATURE: -55° C - +105° C

NOTE:

LABEL: YELLOW COLOR WITH BLACK CHARACTORS
 ONE SIDE: MINI GENDER CHANGER
 OTHER SIDE: U.S.A. PATENT 5199906



| 15-PIN MALE | | 15-PIN FEMALE |
|-------------|-------|---------------|
| 1 | ----- | 1 |
| 2 | ----- | 2 |
| 3 | ----- | 3 |
| ~ | | |
| 14 | ----- | 14 |
| 15 | ----- | 15 |
| SHELL | ----- | SHELL |

PIN OUT

DO NOT SCALE FROM DRAWING

| | | | | |
|------------------|---|---------------------------|-------------------------------|--------------------------|
| | THESE DRAWINGS AND SPECIFICATIONS ARE THE PROPERTY OF NorComp AND SHALL NOT BE REPRODUCED, COPIED OR USED AS THE BASIS FOR THE MANUFACTURE OF SALE OF APPARATUS WITHOUT WRITTEN PERMISSION. | | DRAWN: C. SMITH | DATE: 10-15-07 |
| | | | CHECKED: | DATE: |
| <h1>NorComp</h1> | | SCALE: 1.5 : 1 | SHEET 1 OF 1 | REV 1 |
| | | DWG NO. GCLP15M15F | | |

RoHS COMPLIANT

X-ON Electronics

Largest Supplier of Electrical and Electronic Components

Click to view similar products for D-Sub Adapters & Gender Changers category:

Click to view products by [NorComp](#) manufacturer:

Other Similar products are found below :

[243A10120X](#) [243A11070X](#) [243A13290X](#) [243A13460X](#) [300X10729X](#) [300X10759X](#) [GCHDLP26F26F](#) [30-9532P](#) [40-9586FP](#) [500-135](#) [40-9526HDMP](#) [56F715-003](#) [243A11800X](#) [243A10560X](#) [40-9526HDSP](#) [243A11060X](#) [243A10580X](#) [56-725-001](#) [SC485](#) [173114-0088](#) [173114-0099](#) [76000670](#) [76000700](#) [NADB9MF](#) [2902323](#) [2902326](#) [40-9538F](#) [NADB15FF-B](#) [NADB9FF-B](#) [243A10030X](#) [76000671](#) [163A50029X](#) [16-501373](#) [FCC17-E09AD-210](#) [FCE17-A15AD-250](#) [FCE17-B25AD-210](#) [FCE17-B25AD-250](#) [FCE17B25AD290](#) [FCE17-E09AD-210](#) [FCE5709500430](#) [2310387](#) [GCHDLP44M44M](#) [GCLP25M25F](#) [FCC17A15AD2E0](#) [FCC17C37AD280](#) [FCC17-E09AD-280](#) [FCC17E09AD293](#) [FCC17E09AD4D0](#) [FCE17-A15AD-290](#) [FCE17B25AD250G](#)