

\*Ø0.65 AT CONTACT PCB TERMINATION LOCATION

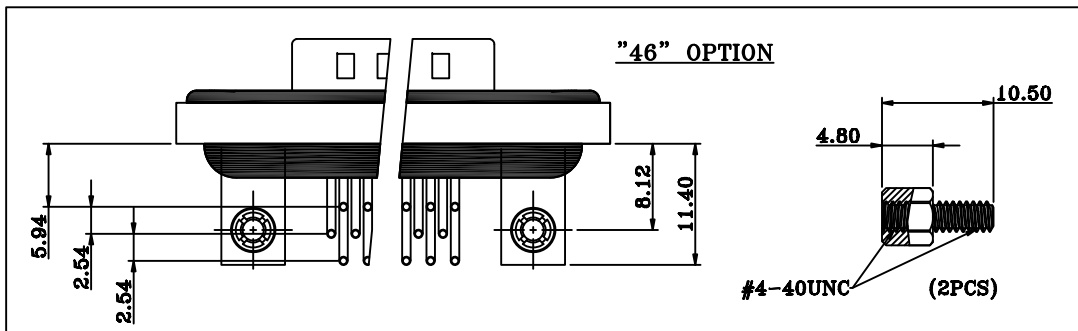
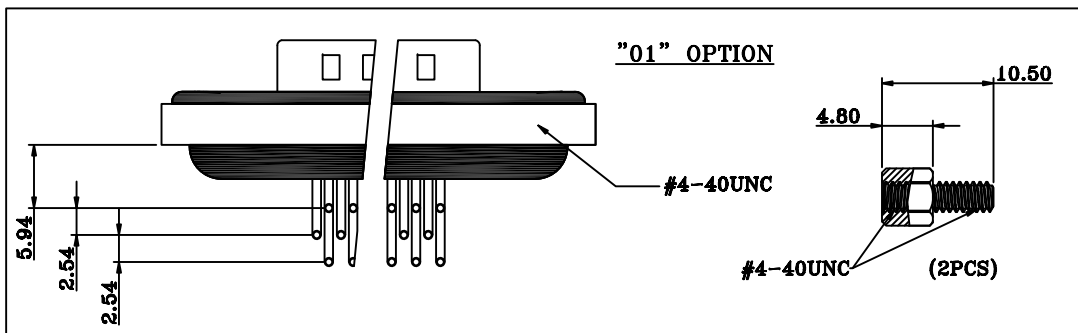
DIMENSIONS(mm)			
SIZE	A	B	C
15	39.50	25.00	16.90
26	48.00	33.30	25.25
44	61.50	47.05	38.95
62	77.80	63.50	55.40

**NOTE:**

**MATERIAL**

HOUSING	PBT UL94V-0, BLACK
FLANGE	PBT UL94V-0, BLACK
CONTACT	BRASS, PLATING P/N KEY BELOW
SHELL	STEEL, NICKEL
O-RING	SILICONE
SEALING COMPOUND	EPOXY
HARDWARE	BRASS; NICKEL PLATED

**HARDWARE OPTIONS**



**ELECTRICAL**

RATED CURRENT	3A
VOLTAGE	1000 VAC 1 MIN
INSULATOR RESISTANCE	5 GOhms MIN.
CONTACT RESISTANCE	10 mOhms MAX.
WATER PROOF	IP67

**ENVIRONMENT**

OPERATION TEMPERATURE	-25°C TO +85°C
-----------------------	----------------

**HDF-RYY-113LYYY**

**SERIES**

HDF = HD DSUB FLANGE

**CONTACT TYPE**

R = RIGHT ANGLE PCB MOUNT

**POSITIONS**

- 15
- 26
- 44
- 62

**GENDER**

1 = MALE

**HARDWARE OPTIONS**

- 01 = 4-40 THREADED INSERTS/4-40 JACKSCREWS
- 46 = 4-40 THREADED BRACKETS & BOARD LOCKS/4-40 JACKSCREWS

**CONTACT PLATING OPTIONS**

- 1 = GOLD FLASH
- 2 = 30u" GOLD PLATING

**RoHS COMPLIANT**



THESE DRAWINGS AND SPECIFICATIONS ARE THE PROPERTY OF NorComp AND SHALL NOT BE REPRODUCED, COPIED OR USED AS THE BASIS FOR THE MANUFACTURE OR SALE OF APPARATUS WITHOUT WRITTEN PERMISSION.

DRAWN:

J. KADEL

DATE:

03/02/2020

**TOLERANCES**

- X. ±0.40
- .X ±0.30
- .XX ±0.20
- .XXX ±0.10

UNITS = mm

DO NOT SCALE FROM DRAWING

**NorComp**

SCALE: NTS

SHEET 1 OF 2

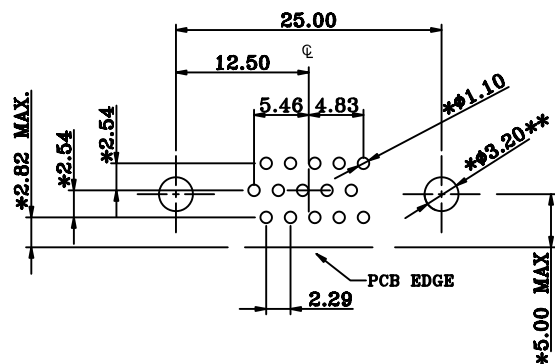
REV 0

DWG NO.

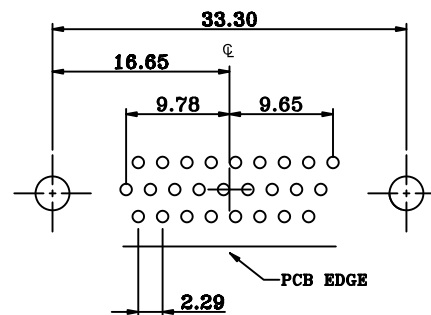
HDF-RYY-113LYYY

**\*\*Ø3.20MM HOLES NOT NEEDED FOR "01" HARDWARE OPTION**

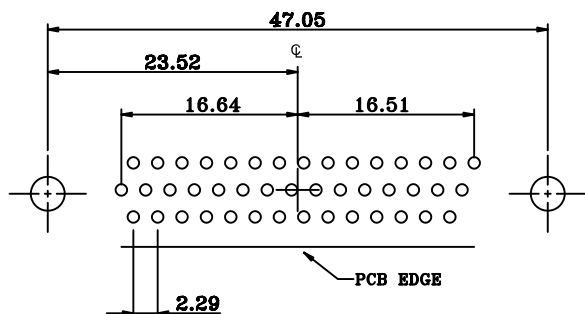
**15 POSITION**



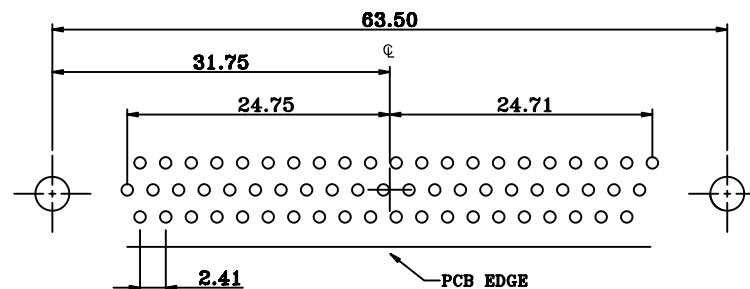
**26 POSITION**



**44 POSITION**



**62 POSITION**



**RECOMMENDED PCB LAYOUT**

**\*TYPICAL // HOLE SIZE MAY NOT BE SUITABLE FOR YOUR SPECIFIC APPLICATION**

**RoHS COMPLIANT**



THESE DRAWINGS AND SPECIFICATIONS ARE THE PROPERTY OF NorComp AND SHALL NOT BE REPRODUCED, COPIED OR USED AS THE BASIS FOR THE MANUFACTURE OR SALE OF APPARATUS WITHOUT WRITTEN PERMISSION.

DRAWN:  
J. KADEL  
DATE:  
03/02/2020

**TOLERANCES**  
X. ±0.40  
.X ±0.30  
.XX ±0.20  
.XXX ±0.10

UNITS = mm

**DO NOT SCALE FROM DRAWING**

**NorComp**

SCALE: NTS	SHEET 2	OF 2	REV 0
DWG NO.		HDF-RYY-113LYYY	

## X-ON Electronics

Largest Supplier of Electrical and Electronic Components

*Click to view similar products for [D-Sub High Density Connectors](#) category:*

*Click to view products by [NorComp](#) manufacturer:*

Other Similar products are found below :

[97-3250-11](#) [163A16809X](#) [163A17089X](#) [164A17199X](#) [242A25680X](#) [L717HDB44POL2R210](#) [L717HDEH15POL2](#) [L777HDE15P](#)  
[L77HDE15SC309](#) [163A16759X](#) [163A16839X](#) [163A16989X](#) [163A17079X](#) [164A17329X](#) [164A18219X](#) [241A16440X](#) [241A16550X](#)  
[241A16680X](#) [241A20810X](#) [241A25740X](#) [CT25-44P](#) [MDBE15PE766](#) [L177HDE15SOL2RM23](#) [L177HRC62S](#) [L177HRC62SVFM](#)  
[L177HRCG62S](#) [L717HDEG15POL2RM5](#) [L77HDA26SVF](#) [L77HDE15SD1CO](#) [L77HDEH15SOL2RM832](#) [443895-3](#) [106698-1](#) [280-012K2C](#)  
[L177HRB44S](#) [164A17039X](#) [09562004701510](#) [164A17969X](#) [L777HRC62P](#) [241A17960X](#) [164A18269X](#) [280-019S1S9MEN](#) [L777HDEG15P](#)  
[280-018P3S25MEGN](#) [206504-2](#) [40-9515HDSP](#) [2057140-1](#) [C115370-6002](#) [DFMA104SNMBFR172FR022](#) [HDC9F200E2S](#)  
[L717HDAG26POL2RM8](#)