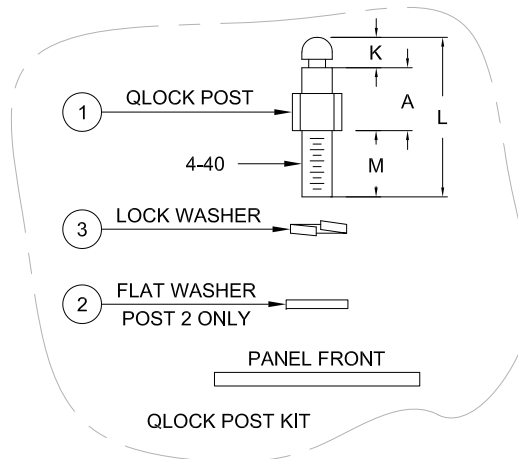
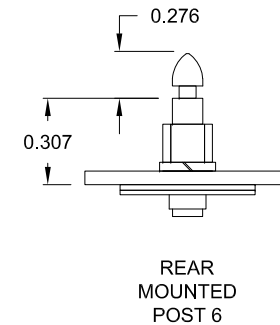
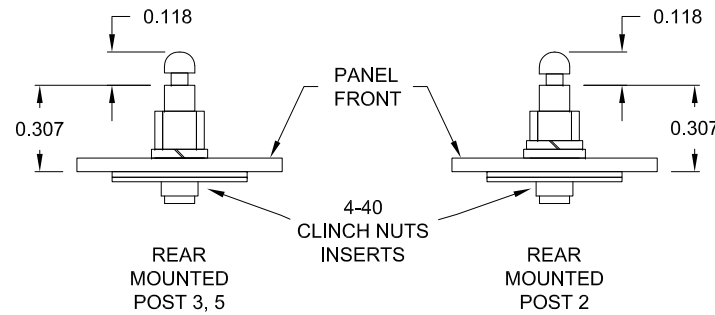
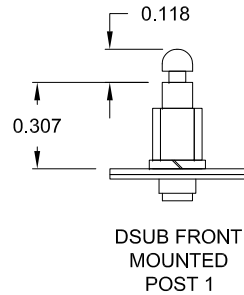


MATERIAL CHARACTERISTICS

POST: STEEL, TIN PLATED
 FLAT WASHER: STAINLESS STEEL
 LOCK WASHER: STAINLESS STEEL

QUICK RELEASE POST KIT							
KIT PART NUMBER	QUANTITY IN KIT			QLOCK POST DIMENSIONS (IN)			
	①	②	③	A	K	L	M
QLOCKPOST440-1	2	0	2	0.276	0.118	0.591	0.197
QLOCKPOST440-2	2	2	2	0.217	0.118	0.591	0.256
QLOCKPOST440-3	2	0	2	0.217	0.118	0.591	0.256
QLOCKPOST440-5	2	0	2	0.189	0.118	0.591	0.283
QLOCKPOST440-6	2	0	2	0.189	0.276	0.748	0.283

CONNECTORS NOT SHOWN FOR CLARITY



NOTE:
 FOR USE ON CONNECTORS WITH PRE-INSTALLED REAR MOUNTED 4-40 CLINCH NUT INSERTS.

RoHS COMPLIANT

UNITS = inch

DO NOT SCALE FROM DRAWING



THESE DRAWINGS AND SPECIFICATIONS ARE THE PROPERTY OF NorComp AND SHALL NOT BE REPRODUCED, COPIED OR USED AS THE BASIS FOR THE MANUFACTURE OR SALE OF APPARATUS WITHOUT WRITTEN PERMISSION.

DRAWN:
B. BRIDGES

DATE:
 09/19/2017

NorComp

SCALE:
 NTS

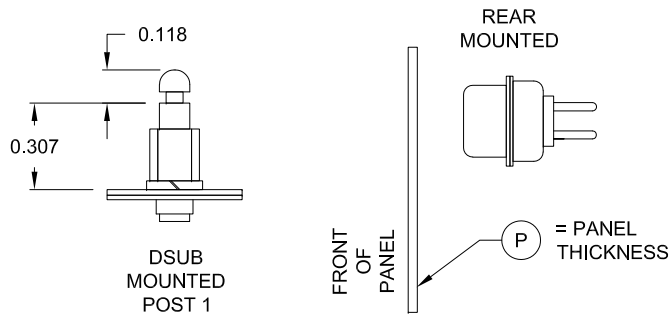
SHEET OF
 1 2

REV
 10

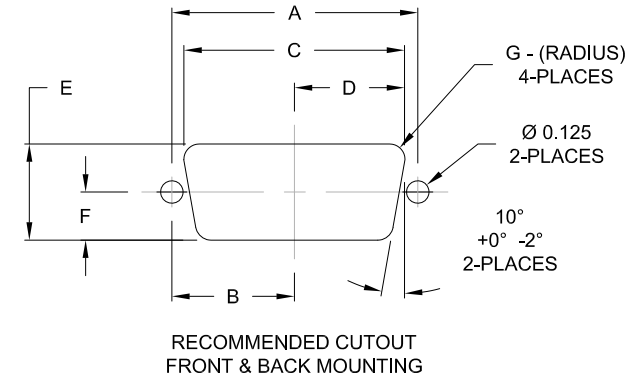
DWG NO.

QLOCKPOST440-Y

KIT PART NUMBER	PANEL THICKNESS	MOUNT LOCATION
	(P)	
QLOCKPOST440-1	N/A	DSUB FRONT
QLOCKPOST440-2	0.039-0.051	REAR
QLOCKPOST440-3	0.059-0.071	REAR
QLOCKPOST440-5	0.086-0.098	REAR
QLOCKPOST440-6	0.086-0.098	REAR



POSITIONS	LOCATION	PANEL CUT OUT DIMENSIONS						
		A	B	C	D	E	F	G
9 STD / 15 H.D.	FRONT	0.984	0.492	0.874	0.437	0.513	0.257	0.083
	BACK	0.984	0.492	0.806	0.403	0.449	0.225	0.132
15 STD / 26 H.D.	FRONT	1.312	0.656	1.202	0.601	0.513	0.257	0.083
	BACK	1.312	0.656	1.134	0.567	0.449	0.225	0.132
25 STD / 44 H.D.	FRONT	1.852	0.926	1.743	0.872	0.513	0.257	0.083
	BACK	1.852	0.926	1.674	0.842	0.449	0.225	0.132
37 STD / 62 H.D.	FRONT	2.500	1.250	2.391	1.196	0.513	0.257	0.083
	BACK	2.500	1.250	2.326	1.163	0.449	0.225	0.132



RoHS COMPLIANT



THESE DRAWINGS AND SPECIFICATIONS ARE THE PROPERTY OF NorComp AND SHALL NOT BE REPRODUCED, COPIED OR USED AS THE BASIS FOR THE MANUFACTURE OR SALE OF APPARATUS WITHOUT WRITTEN PERMISSION.

DRAWN:
B. BRIDGES
DATE:
09/19/2017

UNITS = inch

DO NOT SCALE FROM DRAWING

NorComp

SCALE: NTS	SHEET 2	OF 2	REV 10
DWG NO.			QLOCKPOST440-Y

X-ON Electronics

Largest Supplier of Electrical and Electronic Components

Click to view similar products for [D-Sub Tools & Hardware](#) category:

Click to view products by [NorComp](#) manufacturer:

Other Similar products are found below :

[000-01-09-132](#) [000-01-21-132](#) [000-01-31-162](#) [572019-00105-70](#) [000-01-37-162](#) [621-250-113-115](#) [D110550-2](#) [D20418-137](#) [780-518-50SG6-WS](#) [86552009](#) [86553115TLF](#) [86553117TLF](#) [1230032-1](#) [1-5021101-2](#) [15-000050](#) [1589283-4](#) [160-000-005R031](#) [16-000230](#) [160-025-004R031](#) [160-020-209R000](#) [160X10909X](#) [164C03939A](#) [177-505-A-2-2](#) [1-966830-8](#) [21018-6](#) [2-1393560-9](#) [JS-1000](#) [L17D204182M3E](#) [L17D53018](#) [300X10779X](#) [160X10189X](#) [160X10419X](#) [162-000-050R000](#) [21018-5](#) [212561-3](#) [248C21550X](#) [CF15P](#) [QLOCKPOST-2](#) [D110277](#) [500-008NF1K-01](#) [500-008NF3R3KS-01](#) [500-017M09FN](#) [500-017M15MHN](#) [500-024M1](#) [500-068M3](#) [5-1393561-5](#) [C115373-0001](#) [C115373-0002](#) [3342-4-KIT](#) [K1003](#)