

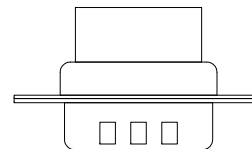
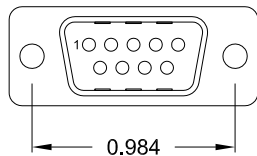
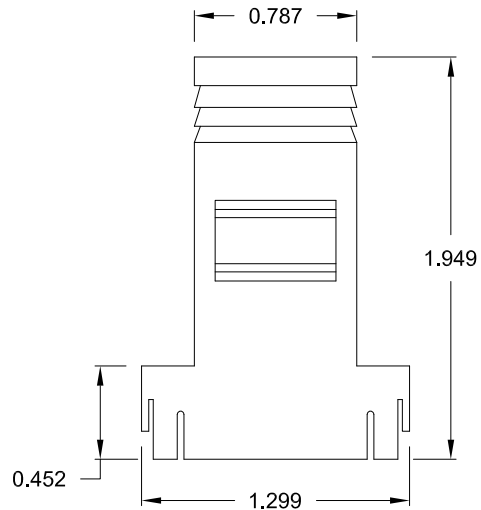
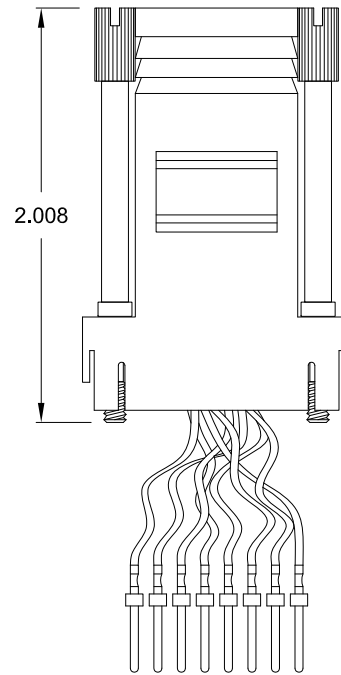
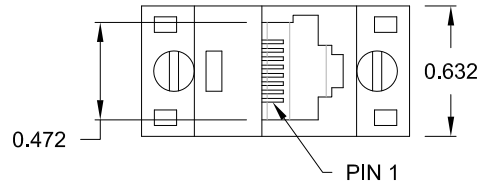
DESCRIPTION: RJ-45 TO 9-POSITION MALE D-SUB – PLASTIC & METALIZED PLASTIC

**MATERIAL:**

HOOD: ABS UL 94V-HB

**RJADK09P70808Y1**

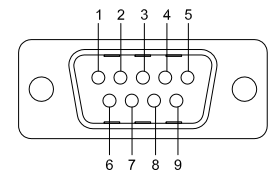
SERIES \_\_\_\_\_  
 POSITIONS \_\_\_\_\_  
 09  
 GENDER \_\_\_\_\_  
 P = MALE  
 D-SUB TERMINALS \_\_\_\_\_  
 7 = CRIMP & POKE (CONTACTS PRE-CRIMPED)  
 MODULAR POSITIONS \_\_\_\_\_  
 08  
 MODULAR POSITIONS LOADED \_\_\_\_\_  
 08  
 COLOR \_\_\_\_\_  
 1 = BLACK  
 2 = METALIZED (SHIELD RATING: 60dB)  
 3 = GRAY  
 D-SUB CONTACT PLATING \_\_\_\_\_  
 1 = GOLD FLASH  
 3 = 10u" DSUB CONTACT // 50u" RJ-45 CONTACT



**RJ45**

1. BLUE
2. ORANGE
3. BLACK
4. RED
5. GREEN
6. YELLOW
7. BROWN
8. WHITE

**DB-09M**



FRONT VIEW

UNITS = inch



THESE DRAWINGS AND SPECIFICATIONS ARE THE PROPERTY OF NorComp AND SHALL NOT BE REPRODUCED, COPIED OR USED AS THE BASIS FOR THE MANUFACTURE OF SALE OF APPARATUS WITHOUT WRITTEN PERMISSION.

DRAWN: <b>C. SMITH</b>		DATE: <b>05-17-07</b>	
SCALE: <b>N.T.S.</b>	SHEET <b>1</b>	OF <b>1</b>	REV <b>2</b>
DWG NO. <b>RJADK09P70808Y1</b>			

DO NOT SCALE FROM DRAWING

**RoHS COMPLIANT**

**NorComp**

## X-ON Electronics

Largest Supplier of Electrical and Electronic Components

*Click to view similar products for D-Sub Adapters & Gender Changers category:*

*Click to view products by [NorComp](#) manufacturer:*

Other Similar products are found below :

[243A10120X](#) [243A11070X](#) [243A13290X](#) [243A13460X](#) [300X10729X](#) [300X10759X](#) [GCHDLP26F26F](#) [30-9532P](#) [40-9586FP](#) [500-135](#) [40-9526HDMP](#) [56F715-003](#) [243A11800X](#) [243A10560X](#) [40-9526HDSP](#) [243A11060X](#) [56-745-005](#) [243A10580X](#) [56-725-001](#) [SC485](#) [173114-0088](#) [173114-0099](#) [76000670](#) [76000700](#) [NADB9MF](#) [2902323](#) [2902326](#) [40-9538F](#) [163A50049X](#) [NADB15FF-B](#) [NADB9FF-B](#) [243A10030X](#) [76000671](#) [163A50029X](#) [16-501373](#) [FCC17-E09AD-210](#) [FCE17-A15AD-250](#) [FCE17-B25AD-210](#) [FCE17-B25AD-250](#) [FCE17B25AD290](#) [FCE17-E09AD-210](#) [FCE5709500430](#) [2310387](#) [GCHDLP44M44M](#) [GCLP25M25F](#) [FCC17A15AD2E0](#) [FCC17C37AD280](#) [FCC17-E09AD-280](#) [FCC17E09AD293](#) [FCC17E09AD4D0](#)