

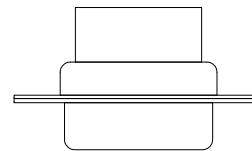
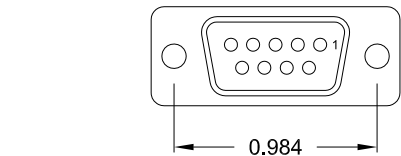
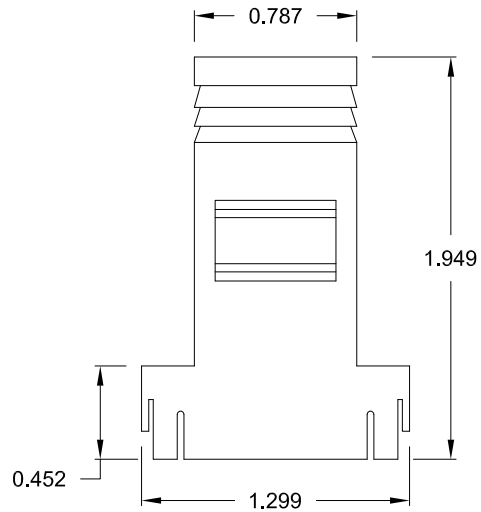
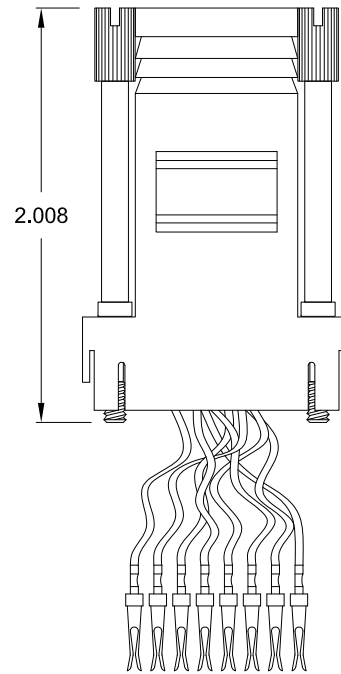
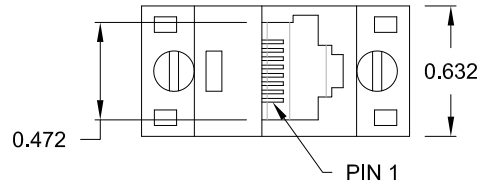
DESCRIPTION: RJ-45 TO 9-POSITION FEMALE D-SUB - PLASTIC & METALIZED PLASTIC

MATERIAL:

HOOD: ABS UL 94V-HB

RJADK09S70808Y1

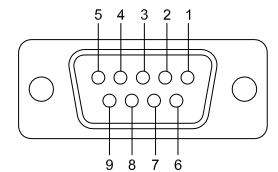
SERIES _____
 POSITIONS _____
 09
 GENDER _____
 S = FEMALE
 D-SUB TERMINALS _____
 7 = CRIMP & POKE (CONTACTS PRE-CRIMPED)
 MODULAR POSITIONS _____
 08
 MODULAR POSITIONS LOADED _____
 08
 COLOR _____
 1 = BLACK
 2 = METALIZED (SHIELD RATING: 60dB)
 3 = GRAY
 D-SUB CONTACT PLATING _____
 1 = GOLD FLASH
 3 = 10 μ " DSUB CONTACT // 50 μ " RJ-45 CONTACT



RJ45

1. BLUE
2. ORANGE
3. BLACK
4. RED
5. GREEN
6. YELLOW
7. BROWN
8. WHITE

DB-09F



FRONT VIEW

UNITS = inch

DO NOT SCALE FROM DRAWING

RoHS COMPLIANT

	THESE DRAWINGS AND SPECIFICATIONS ARE THE PROPERTY OF NorComp AND SHALL NOT BE REPRODUCED, COPIED OR USED AS THE BASIS FOR THE MANUFACTURE OF SALE OF APPARATUS WITHOUT WRITTEN PERMISSION.		DRAWN: C. SMITH	DATE: 05-17-07
	<h1>NorComp</h1>		SCALE: N.T.S.	SHEET 1 OF 1
DWG NO. RJADK09S70808Y1				

X-ON Electronics

Largest Supplier of Electrical and Electronic Components

Click to view similar products for D-Sub Adapters & Gender Changers category:

Click to view products by [NorComp](#) manufacturer:

Other Similar products are found below :

[243A10120X](#) [243A11070X](#) [243A13290X](#) [243A13460X](#) [300X10729X](#) [300X10759X](#) [GCHDLP26F26F](#) [30-9532P](#) [40-9586FP](#) [500-135](#) [40-9526HDMP](#) [56F715-003](#) [243A11800X](#) [243A10560X](#) [40-9526HDSP](#) [243A11060X](#) [243A10580X](#) [56-725-001](#) [SC485](#) [173114-0088](#) [173114-0099](#) [76000670](#) [76000700](#) [NADB9MF](#) [2902323](#) [2902326](#) [40-9538F](#) [NADB15FF-B](#) [NADB9FF-B](#) [243A10030X](#) [76000671](#) [163A50029X](#) [16-501373](#) [FCC17-E09AD-210](#) [FCE17-A15AD-250](#) [FCE17-B25AD-210](#) [FCE17-B25AD-250](#) [FCE17B25AD290](#) [FCE17-E09AD-210](#) [FCE5709500430](#) [2310387](#) [GCHDLP44M44M](#) [GCLP25M25F](#) [FCC17A15AD2E0](#) [FCC17C37AD280](#) [FCC17-E09AD-280](#) [FCC17E09AD293](#) [FCC17E09AD4D0](#) [FCE17-A15AD-290](#) [FCE17-E09AD-240](#)