

DIMENSIONS(mm)			
SIZE	A	B	C
9	39.50	25.00	16.90
15	48.00	33.30	25.25
25	61.50	47.05	38.95
37	77.80	63.50	55.40

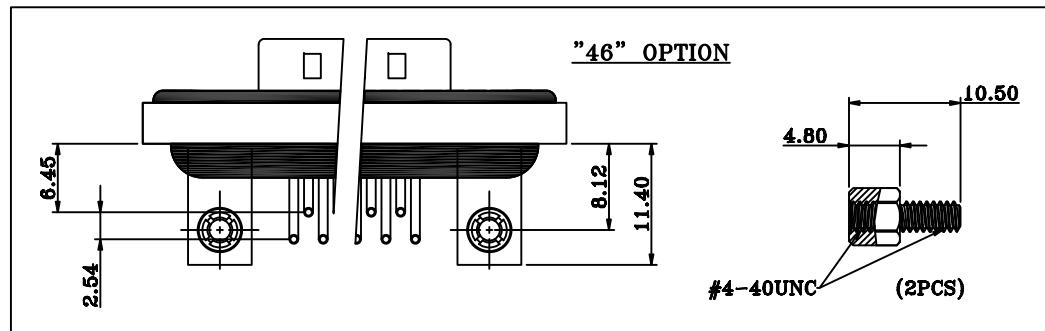
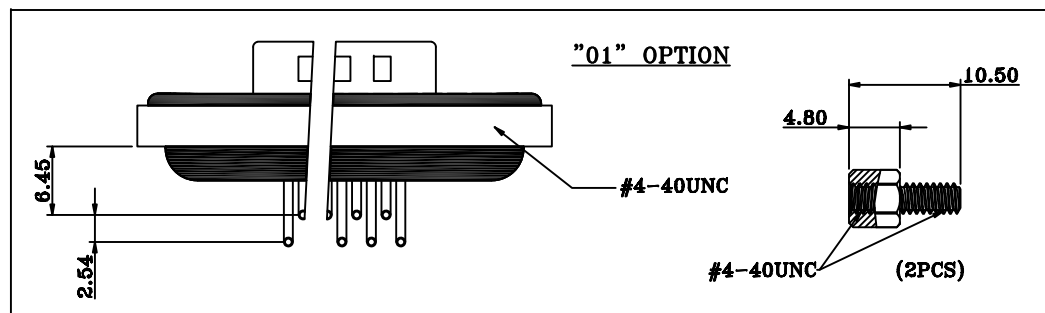
NOTE:

MATERIAL

HOUSING
 FLANGE
 CONTACT
 SHELL
 O-RING
 SEALING COMPOUND
 HARDWARE

PBT UL94V-0, BLACK
 PBT UL94V-0, BLACK
 BRASS, PLATING P/N KEY BELOW
 STEEL, NICKEL
 SILICONE
 EPOXY
 BRASS; NICKEL PLATED

HARDWARE OPTIONS



ELECTRICAL

RATED CURRENT 5A
 VOLTAGE 1000 VAC 1 MIN
 INSULATOR RESISTANCE 5 GOhms MIN.
 CONTACT RESISTANCE 10 mOhms MAX.
 WATER PROOF IP67

ENVIRONMENT

OPERATION TEMPERATURE -25°C TO +85°C

SDF-RYY-113LYYY

SERIES

SDF = STANDARD DSUB FLANGE

CONTACT TYPE

R = RIGHT ANGLE PCB MOUNT

POSITIONS

09
 15
 25
 37

GENDER

1 = MALE

HARDWARE OPTIONS

01 = 4-40 THREADED INSERTS/4-40 JACKSCREWS
 46 = 4-40 THREADED BRACKETS &
 BOARD LOCKS/4-40 JACKSCREWS

CONTACT PLATING OPTIONS

1 = GOLD FLASH
 2 = 30u" GOLD PLATING

RoHS COMPLIANT



THESE DRAWINGS AND SPECIFICATIONS ARE THE PROPERTY OF NorComp AND SHALL NOT BE REPRODUCED, COPIED OR USED AS THE BASIS FOR THE MANUFACTURE OR SALE OF APPARATUS WITHOUT WRITTEN PERMISSION.

DRAWN:

J. KADEL

DATE:

03/02/2020

TOLERANCES

X. ±0.40
 .X ±0.30
 .XX ±0.20
 .XXX ±0.10

UNITS = mm

DO NOT SCALE FROM DRAWING

NorComp

SCALE: NTS

SHEET 1 OF 2

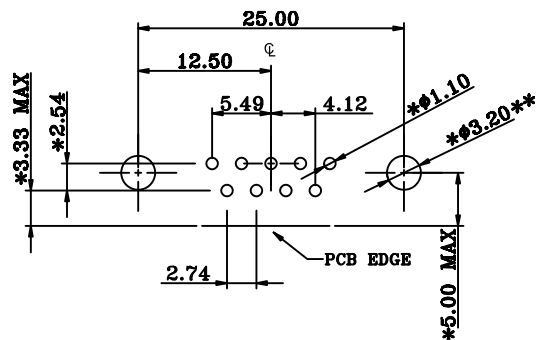
REV 0

DWG NO.

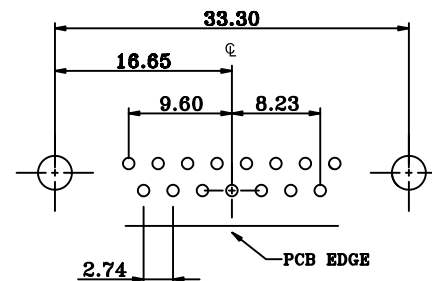
SDF-RYY-113LYYY

**** ϕ 3.20MM HOLES NOT NEEDED FOR "01" HARDWARE OPTION**

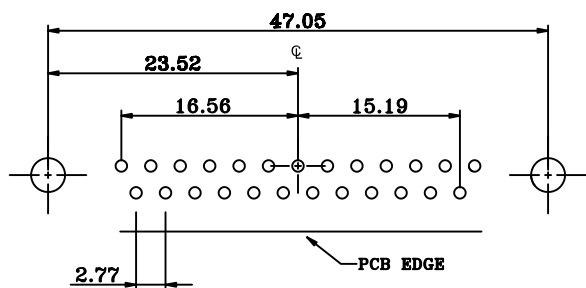
09 POSITION



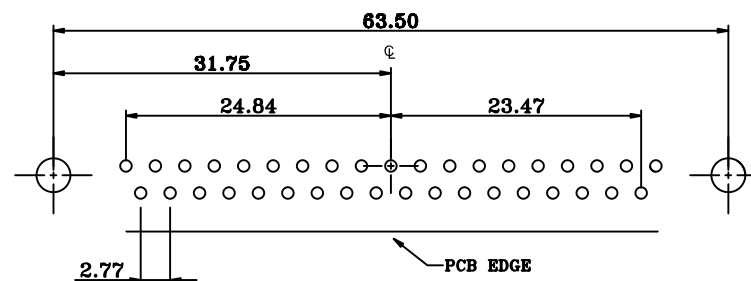
15 POSITION



25 POSITION



37 POSITION



RECOMMENDED PCB LAYOUT

***TYPICAL // HOLE SIZE MAY NOT BE SUITABLE FOR YOUR SPECIFIC APPLICATION**

RoHS COMPLIANT



THESE DRAWINGS AND SPECIFICATIONS ARE THE PROPERTY OF NorComp AND SHALL NOT BE REPRODUCED, COPIED OR USED AS THE BASIS FOR THE MANUFACTURE OR SALE OF APPARATUS WITHOUT WRITTEN PERMISSION.

DRAWN:
J. KADEL
DATE:
03/02/2020

TOLERANCES
X. ± 0.40
.X ± 0.30
.XX ± 0.20
.XXX ± 0.10

UNITS = mm

DO NOT SCALE FROM DRAWING

NorComp

SCALE: NTS	SHEET 2	OF 2	REV 0
DWG NO.		SDF-RYY-113LYYY	

X-ON Electronics

Largest Supplier of Electrical and Electronic Components

Click to view similar products for [D-Sub Standard Connectors](#) category:

Click to view products by [NorComp](#) manufacturer:

Other Similar products are found below :

[56F711-015](#) [LV242999-142T12](#) [015-0341-000](#) [015-0372-005](#) [015-0372-008](#) [015-8755-001](#) [020419-0104](#) [012-0467-000](#) [012-9507-034](#) [012-9507-114](#) [020745-0008](#) [609-25P](#) [CT2-14S-2PCA34](#) [CT2-18-11PCAU](#) [CT6-10SL-3SC](#) [CT6-10SL-4SC](#) [CT6-14S-2SC](#) [CT6E14SA7SC](#)
[M83513/01-FC](#) [M83723/76W24619 L/C](#) [M85049/48-3-2F](#) [6STD09PCM99B70X](#) [6STD09SCM99B30X](#) [6STD09SCT99S40X](#)
[6STD15PCT99S40X](#) [6STD15SCM99B30X](#) [6STD15SCT99S40X](#) [6STF09PCM05B70X](#) [7-135760-9](#) [MC11E-10-6SN](#) [747552-3](#) [MD1-21PS](#)
[MDM-15SCBRM7-F222](#) [MDM96517-699](#) [MDM96521-744](#) [MDVB1-21SL1](#) [MIK0-1-7SH003](#) [MIKQ6-7SH076](#) [MIKQ7-7PH077](#) [MIKQ7-7PH11](#) [MIKQ7-7PH32](#) [MJSV-28SL61](#) [MKJ4A1F14-55S](#) [8-135760-3](#) [8STD09PCM99B30X](#) [PG-KV/PV-16-GROM-SEALING](#) [GDA15P](#)
[GDAY15PB](#) [980-0000-170](#) [980-0000-171](#)