

*ø0.65 AT CONTACT PCB TERMINATION LOCATION

DIMENSIONS(mm)			
SIZE	A	B	C
9	39.50	25.00	16.30
15	48.00	33.30	24.60
25	61.50	47.05	38.40
37	77.80	63.50	54.80

NOTE:

MATERIAL

- | | |
|------------------|------------------------------|
| HOUSING | PBT UL94V-0, BLACK |
| FLANGE | PBT UL94V-0, BLACK |
| CONTACT | BRASS, PLATING P/N KEY BELOW |
| SHELL | STEEL, NICKEL |
| O-RING | SILICONE |
| SEALING COMPOUND | EPOXY |
| HARDWARE | BRASS; NICKEL PLATED |

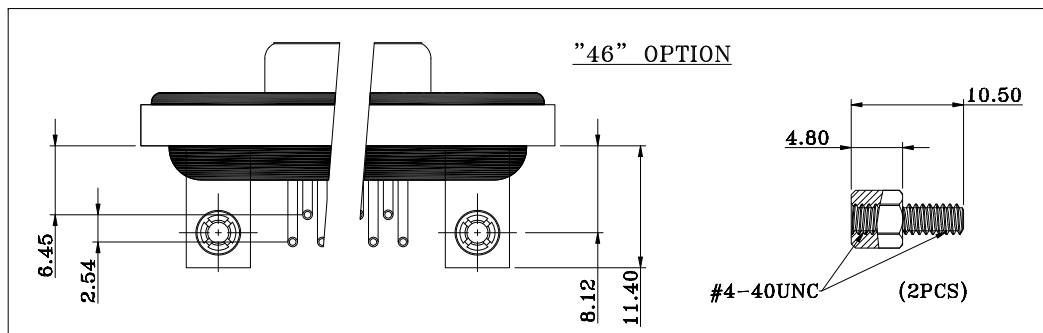
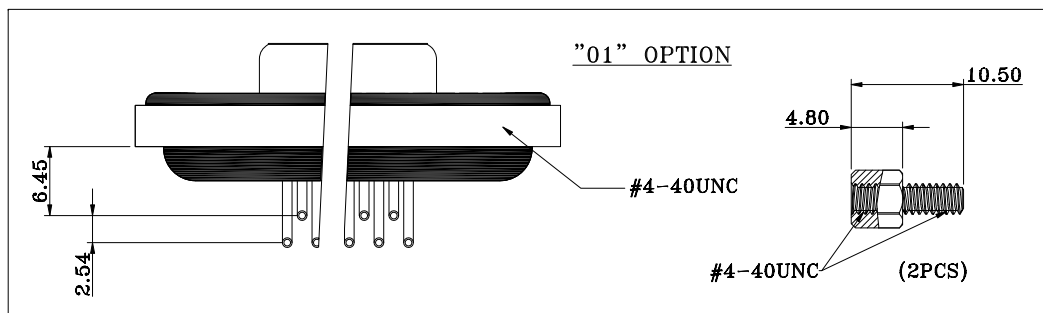
ELECTRICAL

- | | |
|----------------------|----------------|
| RATED CURRENT | 5A |
| VOLTAGE | 1000 VAC 1 MIN |
| INSULATOR RESISTANCE | 5 Gohms MIN. |
| CONTACT RESISTANCE | 10 mOhms MAX. |
| WATER PROOF | IP67 |

ENVIRONMENT

- | | |
|-----------------------|----------------|
| OPERATION TEMPERATURE | -25°C TO +85°C |
|-----------------------|----------------|

HARDWARE OPTIONS



SDF-RYY-213LYYY

- SERIES _____
- SDF = STANDARD DSUB FLANGE
- CONTACT TYPE _____
- R = RIGHT ANGLE PCB MOUNT
- POSITIONS _____
- 09
- 15
- 25
- 37
- GENDER _____
- 2 = FEMALE
- HARDWARE OPTIONS _____
- 01 = 4-40 THREADED INSERTS/4-40 JACKSCREWS
- 46 = 4-40 THREADED BRACKETS & BOARD LOCKS/4-40 JACKSCREWS
- CONTACT PLATING OPTIONS _____
- 1 = GOLD FLASH
- 2 = 30u" GOLD PLATING

RoHS COMPLIANT



THESE DRAWINGS AND SPECIFICATIONS ARE THE PROPERTY OF NorComp AND SHALL NOT BE REPRODUCED, COPIED OR USED AS THE BASIS FOR THE MANUFACTURE OR SALE OF APPARATUS WITHOUT WRITTEN PERMISSION.

DRAWN:
J. KADEL

DATE:
03/02/2020

TOLERANCES

X. ±0.40

.X ±0.30

.XX ±0.20

.XXX ±0.10

UNITS = mm

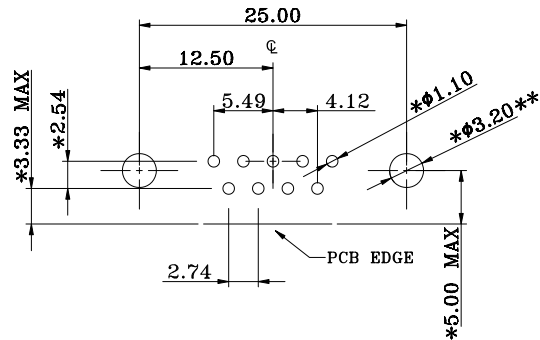
DO NOT SCALE FROM DRAWING

NorComp

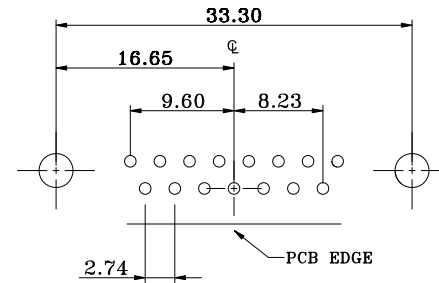
SCALE: NTS	SHEET 1	OF 2	REV 1
DWG NO.			SDF-RYY-213LYYY

** ϕ 3.20MM HOLES NOT NEEDED FOR "01" HARDWARE OPTION

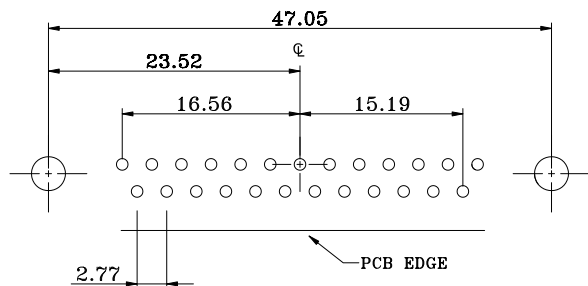
09 POSITION



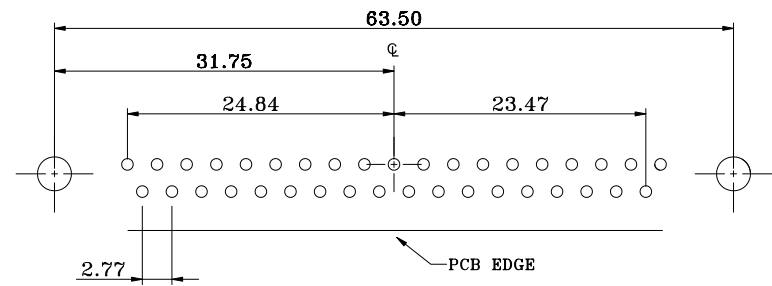
15 POSITION



25 POSITION



37 POSITION



RECOMMENDED PCB LAYOUT

*TYPICAL // HOLE SIZE MAY NOT BE SUITABLE FOR YOUR SPECIFIC APPLICATION

RoHS COMPLIANT



THESE DRAWINGS AND SPECIFICATIONS ARE THE PROPERTY OF NorComp AND SHALL NOT BE REPRODUCED, COPIED OR USED AS THE BASIS FOR THE MANUFACTURE OR SALE OF APPARATUS WITHOUT WRITTEN PERMISSION.

DRAWN:
J. KADEL
DATE:
03/02/2020

TOLERANCES
X. \pm 0.40
.X \pm 0.30
.XX \pm 0.20
.XXX \pm 0.10

UNITS = mm

NorComp

DO NOT SCALE FROM DRAWING

SCALE: NTS	SHEET 2	OF 2	REV 1
DWG NO. SDF-RYY-213LYYY			

X-ON Electronics

Largest Supplier of Electrical and Electronic Components

Click to view similar products for [D-Sub Standard Connectors](#) category:

Click to view products by [NorComp](#) manufacturer:

Other Similar products are found below :

[56F711-015](#) [012-9507-004](#) [LV242999-142T12](#) [015-0341-000](#) [015-0372-005](#) [015-0372-008](#) [015-8755-001](#) [020419-0104](#) [012-0467-000](#) [012-0515-000](#) [012-9507-034](#) [012-9507-114](#) [020745-0008](#) [609-25P](#) [CT2-14S-2PCA34](#) [CT2-18-11PCAU](#) [CT6-10SL-3SC](#) [CT6-10SL-4SC](#) [CT6-14S-2SC](#) [CT6E14SA7SC](#) [M83513/01-FC](#) [M83723/76W24619 L/C](#) [M85049/48-3-2F](#) [6STD09PCM99B70X](#) [6STD09SCM99B30X](#) [6STD09SCT99S40X](#) [6STD15PCT99S40X](#) [6STD15SCM99B30X](#) [6STD15SCT99S40X](#) [6STF09PCM05B70X](#) [7-135760-9](#) [MC11E-10-6SN](#) [747552-3](#) [MD1-21PS](#) [MDM-15SCBRM7-F222](#) [MDM96517-699](#) [MDM96521-744](#) [MDVB1-21SL1](#) [MIK0-1-7SH003](#) [MIKQ6-7SH076](#) [MIKQ7-7PH077](#) [MIKQ7-7PH11](#) [MIKQ7-7PH32](#) [MJSV-28SL61](#) [MKJ4A1F14-55S](#) [8-135760-3](#) [8STD09PCM99B30X](#) [PG-KV/PV-16-GROM-SEALING](#) [GDA15P](#) [GDAY15PB](#)