

NOTE:

MATERIAL

M12 INSULATOR	PA66, UL94V-0, BLACK
SPLITTER HOUSING	PVC & HD PE, UL94V-0, BLACK
CONTACT	GOLD FLASH PLATED BRASS
NUT	NICKEL PLATED BRASS

ELECTRICAL

RATED CURRENT	1.5A(5P) / 3A(3/4P)
VOLTAGE	30V(5P) / 60V(3/4P)
INSULATOR RESISTANCE	100 MOhms MIN.
CONTACT RESISTANCE	10 mOhms MAX.
MATING CYCLES	100 CYCLES MIN

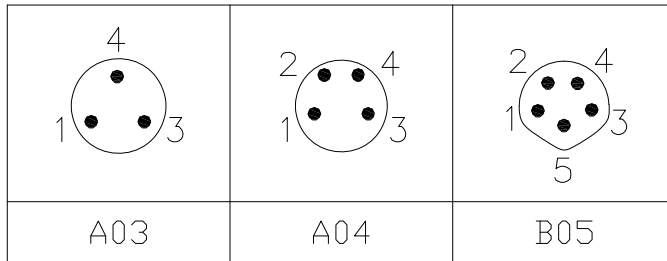
ENVIRONMENT

OPERATION TEMPERATURE	-40°C TO +85°C
IP RATING	IP67 (UNCOUPLED & COUPLED)

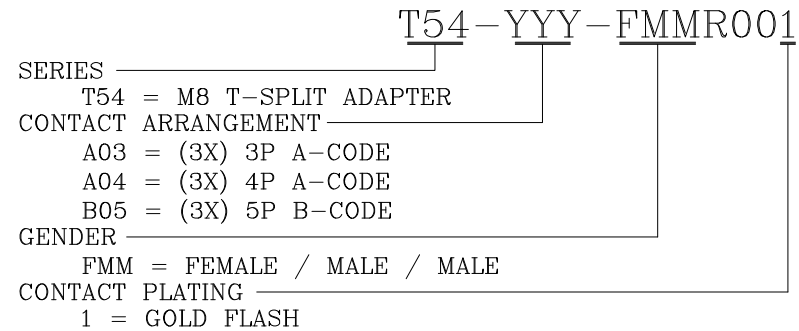
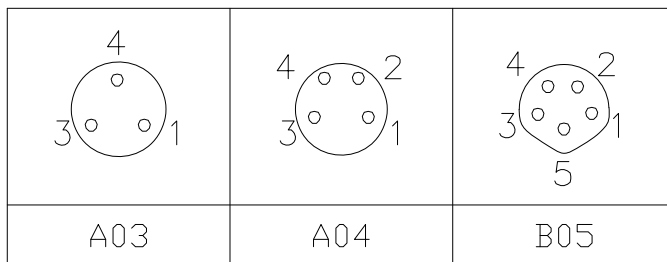
RECOMMENDED TORQUE

0.4Nm TO 0.8Nm

MALE



FEMALE



RoHS COMPLIANT



THESE DRAWINGS AND SPECIFICATIONS ARE THE PROPERTY OF NorComp AND SHALL NOT BE REPRODUCED, COPIED OR USED AS THE BASIS FOR THE MANUFACTURE OR SALE OF APPARATUS WITHOUT WRITTEN PERMISSION.

DRAWN:

J. KADEL

DATE:

12/20/2021

TOLERANCES  
 .x ±0.5  
 .xx ±0.2  
 ANGULAR ±1°

UNITS = mm

DO NOT SCALE FROM DRAWING

NorComp

SCALE:

NTS

SHEET

OF

REV

1

1

1

DWG NO.

T54-YYY-FMMR001

## X-ON Electronics

Largest Supplier of Electrical and Electronic Components

*Click to view similar products for [Circular Metric Connectors](#) category:*

*Click to view products by [NorComp](#) manufacturer:*

Other Similar products are found below :

[600X518037X](#) [MA1EAF1200](#) [6STD15PCR99B70A](#) [8R4000A16M020](#) [8R4A00A18M020](#) [8R5000A16M005](#) [1200910008](#) [1200910011](#)  
[1300140094](#) [130203-0054](#) [1300150099](#) [RF-12S1N8A90DU](#) [1-3637-600-5205](#) [1612618](#) [8R4006A16M010](#) [8R5006A18A120](#) [1604232](#)  
[1R3006A20M005](#) [RF-12P1N8A80DU](#) [RF-12P1N8A90DU](#) [41-01016](#) [41-40011](#) [41-40017](#) [42-01015](#) [4-22279-4](#) [4-22281-1](#) [4-22284-9](#) [43-](#)  
[00002](#) [43-01166](#) [41-40005](#) [41-40016](#) [43-00161](#) [43-01191](#) [XS3P-M421-2](#) [600X518050X](#) [SACC-DSI-FS-5P-PG9-L180 SC](#) [8R4006A16A120](#)  
[8R4000A16M010](#) [RKC 50/16](#) [1R3004A20A1201](#) [6-22279-3](#) [N03FA03144](#) [1300140077](#) [XS8A-0441](#) [859RD04-103R004](#) [860RD04-113R004](#)  
[860RD04-213R004](#) [860-X08-213R004](#) [1-213245-2](#) [2273142-2](#)