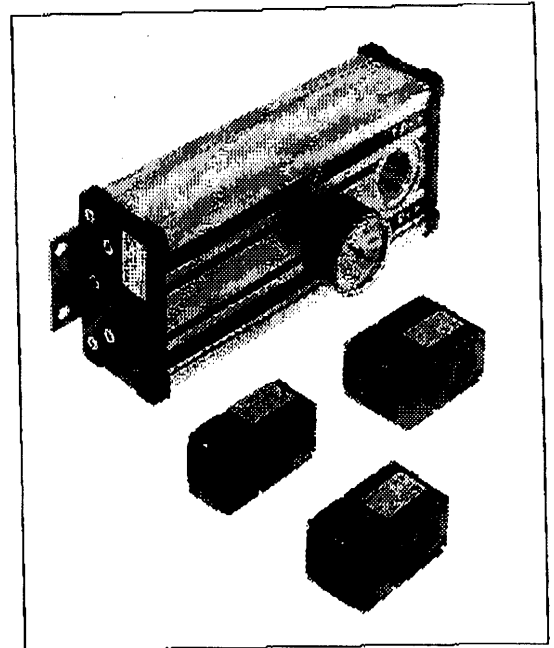


- Small, compact units
- Compressed air driven
- Simple to Install


Technical Data

Medium:

Compressed air, filtered and non-lubricated

Operation:

Multi ejector system

Operating Pressure:

6 bar maximum

Vacuum:

- 0,87 bar maximum

Operating Temperature:

+80°C for M/58102/10 to M/58102/30

+60°C for M/58102/60 to M/58102/120

Sound Level:

75 to 80 dB (A)

Materials:

M/58102/10 to M/58102/30

ABS vacuum chips with 30% fibreglass, Aluminium sub-base, Nitrile rubber seals.

M/58102/60 to M/58102/120

Aluminium case, ABS end caps, Steel mountings, Nitrile rubber or polyurethane seals.

Alternative Pumps:

See page N 3.4.015.02

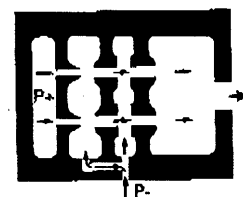
Ordering Information

To order a vacuum pump with 80 NI/min induced air at 6 bar operating pressure quote: M/58102/10

To order a vacuum pump with 910 NI/min induced air at 6 bar operating pressure quote: M/58102/120

Accessories

	See page
Pneumatic vacuum switch	N 4.3.101.01
Electric vacuum switch	N 4.3.111.01
Electronic vacuum switch	N 4.3.121.01
Flat suction cups	N 3.5.011.01
Bellows suction cups	N 3.5.031.01





Alternative Pumps

Symbol	Model	Description
	M/58102/N	Vacuum pumps with non-return valve

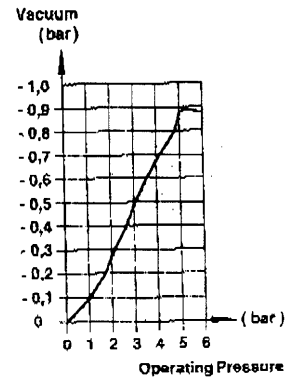
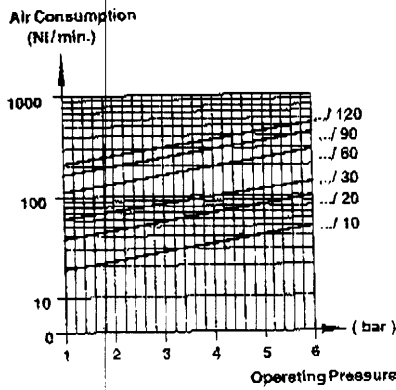
Weights (kg)

Model	Weight	Silencer	Vacuum Gauge
M/58102/10	0,080	0,010	0,063
M/58102/20	0,095		
M/58102/30	0,110		
M/58102/60	0,855		
M/58102/90	1,105		
M/58102/120	1,150		

Tube Dimensions
Recommended tube dimensions
(Internal diameter)

Model	Compressed air	Vacuum	Exhaust
M/58102/10	> Ø 3	> Ø 7	> Ø 9
M/58102/20	> Ø 3	> Ø 7	> Ø 9
M/58102/30	> Ø 4	> Ø 9	> Ø 9
M/58102/60	> Ø 4	> Ø 19	-
M/58102/90	> Ø 5	> Ø 19	-
M/58102/120	> Ø 5	> Ø 22	-

Characteristics (All values given apply to an atmospheric pressure of 1013 mbar)



Induced air (NI/min), free air

Model	D	-0,1	-0,2	-0,3	-0,4	-0,5	-0,6	-0,7	-0,8
M/58102/10	80	55	32	28	25	18	13	5	1,5
M/58102/20	160	110	64	56	50	36	26	10	3
M/58102/30	240	165	96	84	75	54	39	15	4,5
M/58102/60	480	270	182	168	150	108	78	30	9
M/58102/90	708	427	273	252	225	162	117	45	13,5
M/58102/120	910	568	355	336	300	216	156	60	18

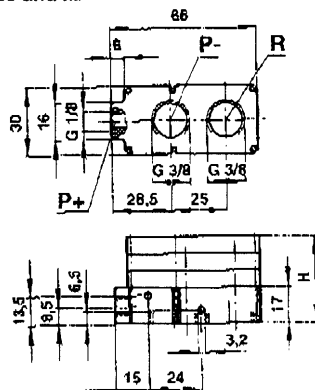
Time (sec) for evacuation of 1 litre volume to vacuum

Model	-0,1	-0,2	-0,3	-0,4	-0,5	-0,6	-0,7	-0,8	-0,85
M/58102/10	0,070	0,200	0,450	0,750	1,150	1,730	2,610	4,130	6,620
M/58102/20	0,035	0,100	0,230	0,370	0,570	0,860	1,320	2,070	2,920
M/58102/30	0,023	0,070	0,150	0,250	0,380	0,580	0,870	1,380	1,940
M/58102/60	0,012	0,034	0,080	0,120	0,190	0,290	0,440	0,690	0,970
M/58102/90	0,007	0,023	0,050	0,080	0,130	0,190	0,290	0,460	0,650
M/58102/120	0,006	0,017	0,040	0,060	0,100	0,150	0,220	0,350	0,490

Note: Values given in the tables are theoretical and apply to an operating pressure of 5 bar

Basic Dimensions

Model: M/58102/10 to M/58102/30 and M/58102/N/10 to M/58102/N/30

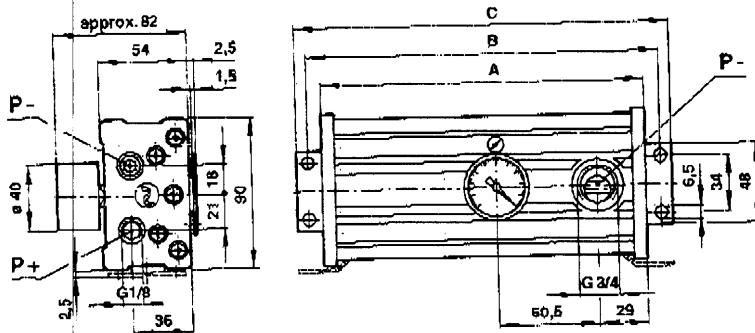


Model	H
M/58102/10	24,5
M/58102/20	32
M/58102/30	39,5



Basic Dimensions

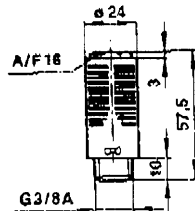
Model: M/58102/60 to M/58102/120 and M/58102/N/60 to M/58102/N/120



Model	A	B	C
M/58102/60	136	154	168
M/58102/90	196	214	228
M/58102/120	196	214	228

Silencer

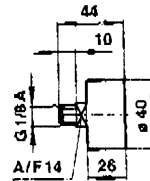
Model: M/58019



Vacuum Gauge

Model: M/58060

Instrument range: 0 to -1 bar



Warning

These products are intended for use in industrial compressed air systems only. Do not use these products where pressures and temperatures can exceed those listed under 'Technical Data'.

Before using these products with fluids other than those specified, for non-industrial applications, life-support systems, or other applications not within published specifications, consult NORGREN.

Through misuse, age, or malfunction, components used in fluid power systems can fail in various modes.

The system designer is warned to consider the failure modes of all component parts used in fluid power systems and to provide adequate safeguards to prevent personal injury or damage to equipment in the event of such failure.

System designers must provide a warning to end users in the system instructional manual if protection against a failure mode cannot be adequately provided.

System designers and end users are cautioned to review specific warnings found in instruction sheets packed and shipped with these products.

X-ON Electronics

Largest Supplier of Electrical and Electronic Components

Click to view similar products for [norgren](#) manufacturer:

Other Similar products are found below :

[8254200.9151.02400](#) [C01250828](#) [C01251048](#) [C01470628](#) [C01470818](#) [B72G-2GK-AL3-RMN](#) [C00600600](#) [C00600800](#) [C01250628](#)
[C01250838](#) [C01251038](#) [C01470618](#) [C01470838](#) [18-013-989](#) [18-013-990](#) [100201000](#) [101250828](#) [CS6004010](#) [F72G-2GN-AL3](#) [101470838](#)
[8240400.9101.23050](#) [V61B413A-A213J](#) [M/58308/01](#) [S/521](#) [RT/57220/M/40](#) [18-015-013](#) [F74G-4GN-AP3](#) [8240400.9101.02400](#)
[RT/57212/M/50](#) [M/3314](#) [101250628](#) [101470818](#) [RT/57220/M/80](#) [150050038](#) [C02260628](#) [602112128](#) [V62C413A-A213J](#) [R07-200-RNKG](#)
[V60A513A-A213J](#) [18-025-003](#) [101250818](#) [10K510618](#) [101251028](#) [R72G-2GK-RMN](#) [101470628](#) [C00200400](#) [088030000000000000](#) [M/S2](#)
[102250628](#) [R07-100-RNKG](#)