

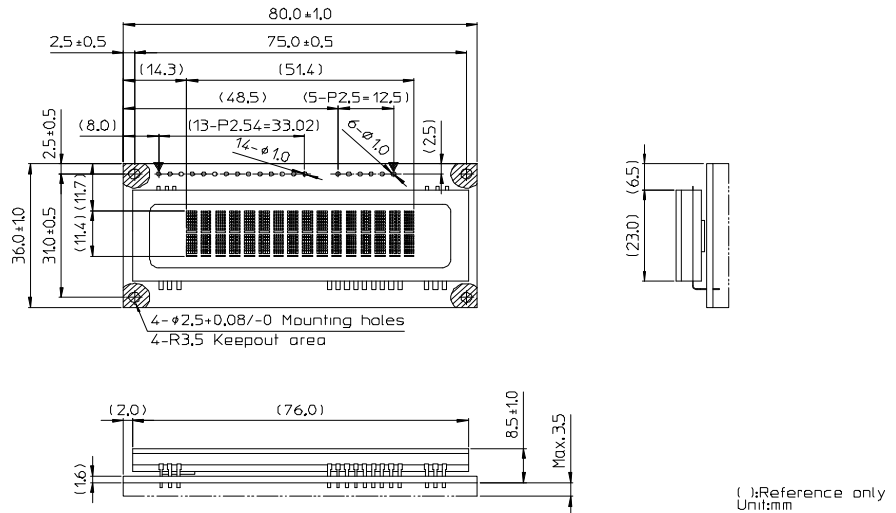
CU16025-UW30J

SIMPLIFIED DATASHEET

■ Features

16 character x 2 line display.
 LCD compatible, serial interface. Good for use as LCD drop-in replacement, or in various other applications.
 3.3V power model.

■ Physical dimension



Get full specification
[Click here to go to request form.](#)

Specifications

■ Electrical Ratings

Parameter	Symbol	Min.	Typ.	Max.	Unit	Condition
Logic Input Voltage						
DB0-DB7, RS,R/W(WR), E(RD),SCK, STB	VIH1	2.0	-	VCC	VDC	VCC-VSS= 5.0 V
	VIL1	VSS	-	0.5		
Logic Input Voltage	VIH2	0.7VCC	-	VCC	VDC	VCC-VSS= 5.0 V
SI/SO	VIL2	VSS	-	0.3VCC		
Logic Input Voltage	VIH3	0.9VCC	-	VCC	VDC	VCC-VSS= 5.0 V
/RESET	VIL3	VSS	-	0.2VCC		
Power supply Voltage	VCC-VSS	3.15	3.30	3.45	VDC	-

■ Physical Specifications

Parameter	*ANK(Alphabet, Numeric, Kana)
Number of char.	32 (16 x 2)
Built-in Fonts	5 x 7 ANK, International
Display area	51.4 x 11.4 mm (X x Y)
Character size	2.275 x 4.759 mm (X x Y)
	Underline is not included.
Character pitch	3.275 mm
Line pitch	5.991 mm
Weight	About 30 g

■ Electrical Characteristics

Parameter	Symbol	Min.	Typ.	Max.	Unit	Condition
Logic Output Voltage	'H'	VCC-0.8	-	-	VDC	IOH = -4 mA
	'L'	-	-	0.45		IOL = 4 mA
	'H'	VCC-0.4	-	-	VDC	IOH = -2 mA
	'L'	-	-	0.4		IOL = 2 mA
Power Supply Current 1	ICC1	-	200	260	mA	Display ON
Power Supply Current 2	ICC2	-	6	10	mA	Display OFF
Power Consumption		-	0.66	0.858	W	Display ON

■ Interface

8bit/4bit Parallel(TTL), Synchronous Serial (CMOS)

■ Pin Assignment (Parallel)

Pin No	Signal	Pin No	Signal
1	GND	8	DB1
2	VCC	9	DB2
3	NC	10	DB3
4	RS	11	DB4
5	R/W(WR)	12	DB5
6	E(RD)	13	DB6
7	DB0	14	DB7

(Synchronous Serial)

Pin No	Signal
1	VCC
2	SI/SO
3	GND
4	STB
5	SCK
6	NC

■ Optical Characteristics

Parameter	
Luminance	350 cd/m ² Min.
Color of illumination	Green (Blue-Green)

■ Environmental Conditions

Parameter	
Operating Temperature	-40 ~ +85 degrees celsius
Storage Temperature	-50 ~ +85 degrees celsius
Operating Humidity	20 ~ 80% R.H. (non-condensing)
Vibration (Non operation)	10-55-10Hz, all amplitude 1mm, 30 minutes, X-Y-Z
Shock (Non operation)	980m/s ² (100G) 6ms

■ Functions

Parameter	
3.3V Power supply	
Command compatible with HD44780 LCD controller	
Display ON/OFF	
Brightness Control	
Cursor ON/OFF	
8 User definable character font	
etc.	



Leaflet contents, and specifications and external appearance of products, may change without notice.

Please confirm product details in the specification.

(C)Copyright NORITAKE ITRON CORP.

X-ON Electronics

Largest Supplier of Electrical and Electronic Components

Click to view similar products for [Vacuum Fluorescent Displays - VFD category](#):

Click to view products by [Noritake manufacturer](#):

Other Similar products are found below :

[M0220SD-202SDAR1-CWC](#) [GU256X64F-9900](#) [CU24025-UW1J](#) [GU140X32F-7003B](#) [GU256X128C-3900B](#) [GU256X128D-3900B](#)
[GU256X128E-3900B](#) [GU256X64E-3900B](#) [M0220SD-202SDAR1-1G](#) [CU20049-UW2A](#) [GU256X16M-K612C5](#) [CU16025-UW2J](#) [CU16025-](#)
[UW6J](#) [CU16029-UW1J](#) [GU256X64C-3900B](#) [GU256X64D-3900B](#) [HNA-12MM54T](#) [ICB-10MM38T](#) [AH145BB](#) [AH156BB](#) [GP1183A01A](#)
[GP1184A01A](#) [GP1184A01B](#) [GP9002A01A](#) [M162MD07AA-000](#) [M162SD53AA-000](#) [M162SD54AA-000](#) [M202MD33AA-000](#)
[M202SD23AA-000](#) [M242SD07AA-000](#) [NAGP1235AB-0](#) [NAGP1250AB-0](#) [MOI-AV162A-NT3IJ](#) [VFD2041](#) [VFD2041-VPT](#) [VK162-12-E](#)
[VK202-25](#) [VK204-25-E](#) [VK204-25-USB](#) [M0216MD-162MDBR2-J](#) [M0216SD-162SDAR2-1](#) [M0216SD-162SDAR8](#) [M0220MD-](#)
[202MDAR1-1](#) [M0220MD-202MDAR1-3](#) [M0220SD-202SDAR1](#) [M0220SD-202SDAR1-S](#) [CU40045-UW1J](#) [GU112X16G-7000](#) [GU128X32-](#)
[800B](#) [GU128X64-800B](#)