

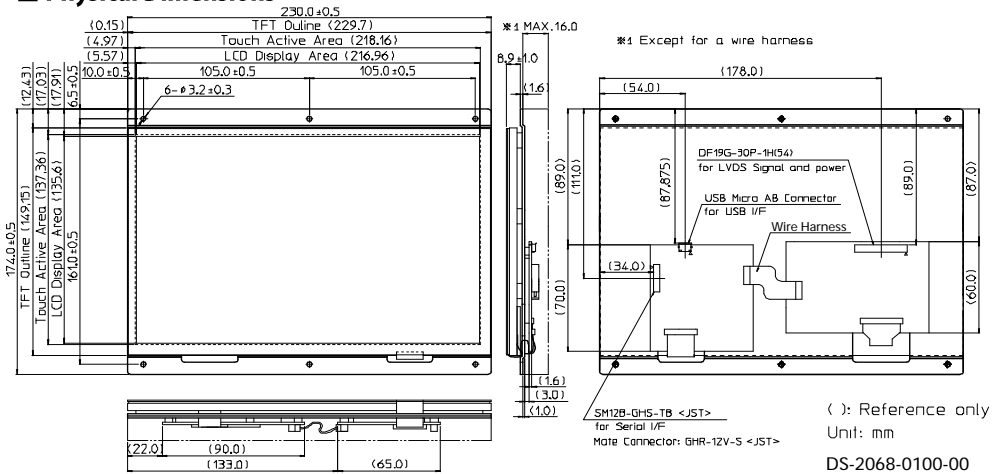
# GTWX101VLB00P

## SIMPLIFIED DATASHEET

### Features

- 10.1 inch TFT-LCD
- 1280 x RGB x 800 dot
- High Brightness (850cd/m<sup>2</sup>)
- Video input is LVDS
- Touch I/F is USB (HID compliant)
- Quick Setup  
(Just connect to a PC or SBC host)
- FLETAS touch panel mounted  
[Features of FLETAS]
  - High sensitivity
  - Excellent noise resistance

### Physical Dimensions



### Get full specification



Click here to go to request form.

### Specifications

#### Basic Specification

Item	Type	Content
Display	Type	TFT-LCD
	Size	10.1 inches
	Display Area	216.96 x 135.6 mm (X x Y)
	Number of Pixels	1280 x RGB x 800
	Pixel Pitch	0.1695 x 0.1695 mm (X x Y)
	Colors	16.7M (24-bit color)
	Recommend Viewing Direction	ALL
	Gray Scale Inversion Direction	-
	Brightness(100%)	Typ. 850 cd/m <sup>2</sup> (nit) (*1)
FLETAS Touch Panel	Type	Metallized projective capacitive touch
	Touch Active Area	218.16 x 137.36 mm
	Number of Touches	Max. 10 points (multi touch possible)
Control	Interface	UART, I2C, USB2.0
	Commands	Backlight (display brightness) adjustment, touch sensitivity adjustment, etc.

(\*1) Backlight brightness 100%

#### Electrical Ratings

Item	Symbol	Min.	Typ.	Max.	Unit	Condition
Power Supply Voltage	VCC1	3.14	3.3	3.47	VDC	See specification
Backlight Power Supply	VCC2	11.4	12.0	12.6	VDC	

#### Electrical Characteristics

Conditions: Ambient temperature = 25°C, VCC=5.0VDC

Parameter	Symbol	Min.	Typ.	Max.	Unit	Condision
UART	(*1)TXD	VOH1	2.7	-	-	VDC IOH1 = -4.0mA
	(*1)SCL, SDA	VOL1	-	-	0.5	VDC IOL1 = 8.0mA
I2C	(*1)/IRQ	VOH3	2.7	-	-	VDC IOH3 = -4.0mA
	(*2) SDA, SCL	VOL3	0	-	0.5	VDC IOL3 = 8.0mA
		Rp	-	220	-	kΩ Pull-up Voltage 3.3V
Power Supply	Current for LCD	ICC1	-	390	530	mADC All White, (*3) 100%
		ICC2-1	-	430	550	mADC (*3) 100%
	ICC2-2	-	320	420	mADC (*3) 50%	
	Current for Backlight	ICC2-3	-	5	10	mADC Backlight OFF BLEN="L"
		Power Consumption	P1	-	1.3	1.7
	P2	-	5.2	6.6	W (*3) 100%	

(\*1) Logic Output Voltage, (\*2) Internal Pull-up Resistor, (\*3) Backlight brightness

#### Environmental Specifications

Parameter	Content
Operating Temperature	-20 to +60°C
Storage Temperature	-20 to +80°C
Operating Humidity	Temp. ≤ 60°C, 80% RH MAX. (No dew condensation)
	Temp. > 60°C, Absolute humidity shall be less than 80% RH at 60°C (No dew condensation)
Vibration (non-operating)	10-55-10Hz, all amplitude 1mm, 30 minutes, X-Y-Z
Shock (non-operating)	392m/s <sup>2</sup> (40G) 9ms X-Y-Z, 3 times each direction

#### Interface/Connectors

Pin 5~8, 13, 14, 17, • LVDS / MCB-040 [CN1] 20, 23, 26, 30 = GND

Pin	Symbol	Content	Pin	Symbol	Content
1-4	VCC2	+12.0V Power Supply	15	Link 0-	R0, R1, R2, R3,
		Backlight ON/OFF	16	Link 0+	R4, R5, G0
9	BLEN	(High:ON, Low:OFF) Backlight Dimming	18	Link 1-	G1, G2, G3,
		Control (PWM) Voltage (High active)	19	Link 1+	G4, G5, B0, B1
10	PDIM	Voltage (High active)	21	Link 2-	B2, B3, B4,
			22	Link 2+	B5, DENA
			24	CLKIN-	Clock -
			25	CLKIN+	Clock +
11-12	VCC1	+3.3V Power Supply	27	Link 3-	R6, R7, G6,
			28	Link 3+	G7, B6, B7
29	NC	No Connection			

• UART, I2C : / MCB-039 [CN1]

Pin	Symbol	Content	Pin	Symbol	Content
1-4	IC	Internal Connection	8	/RESET	Reset input
5	SDA	I2C data	9	NC	No Connection
6	/IRQ	Interrupt output (I2C data available)	10	GND	Ground
7	SCL	I2C clock	11	TXD	UART send
12	RXD	UART receive			

• USB / MCB-039 [CN3]

Pin	Symbol	Content	Pin	Symbol	Content
1	VBUS	VBUS	4	ID	NC
2	D-	Data -	5	GND	Ground
3	D+	Data +			

\*Power supply VCC cannot be supplied from VBUS. Please use the power connector (MCB-040-CN1).

#### Functions

- Single-touch mode/ multi-touch mode setting,
- Memory SW function, Brightness level setting,
- Touch sensitivity setting etc.



Leaflet contents, and specifications and external appearance of products, may change without notice.

Please confirm product details in the specification.  
(C)Copyright NORITAKE ITRON CORP.

## X-ON Electronics

Largest Supplier of Electrical and Electronic Components

*Click to view similar products for [TFT Displays & Accessories category](#):*

*Click to view products by [Noritake manufacturer](#):*

Other Similar products are found below :

[F3ET2-005-150](#) [HDA430T-3G1H](#) [NB7W-KBA04](#) [NB-ATT01](#) [NB5Q-ATT01](#) [NB5Q-KBA04](#) [NB-CN001](#) [OAI-80038AA-2008-A](#) [315-U004B15300](#) [UMSH-8596MD-34T \(REV D\)](#) [TCG121WXLRXVNNANX35](#) [EIC-LCD-1080P](#) [T-55619GD065J-LW-ABN](#)  
[TCG104SVLPEANN-AN30](#) [NL6448BC33-70](#) [NL6448BC20-30D](#) [NL10276BC16-06](#) [NL192108AC10-01D](#) [NL12880BC20-05BD](#)  
[NL8060BC26-35BA](#) [NL8060BC31-50F](#) [TM070DDHG03-40](#) [PTPW16-070WV1S02](#) [PTPW17-070WV1S02](#) [PTPW16-084SV1S02](#)  
[MTD0300ECP06DF-1](#) [DEM 320240T VMX-PW-N \(A-TOUCH\)](#) [DEM 480128B TMH-PW-N \(A-TOUCH\)](#) [DEM 480272P VMX-PW-N \(C-TOUCH\)](#) [DEM 480272Q VMX-PW-N \(A-TOUCH\)](#) [DEM 480272Q VMX-PW-N \(C-TOUCH\)](#) [DEM 640480E TMH-PW-N \(A-TOUCH\)](#)  
[DEM 800480K1 TMH-PW-N \(A-TOUCH\)](#) [DEM 800480K1 TMH-PW-N \(C-TOUCH\)](#) [DEM 800480K2 TMH-PW-N \(A-TOUCH\)](#) [DEM 800480K3 TMH-PW-N \(C-TOUCH\)](#) [DEM 800480K4 TMH-PW-N \(A-TOUCH\)](#) [DEM 800480K4 TMH-PW-N \(C-TOUCH\)](#) [4DLCD-35480320-CTP-IPS](#) [4DLCD-35480320-IPS](#) [4DLCD-35480320-RTP-IPS](#) [4DLCD-50800480-CTP-IPS](#) [RFA6400E-AWH-DNG](#) [RFA6400E-AWH-MNN](#) [RFE430V-AZW-DNS](#) [RFF70VA2-1IW-DHS](#) [RFH700A8-AYH-MNN](#) [RFK101VF-1YH-LHG](#) [RFS390C-AIW-DNN](#) [RFS390C-AIW-DNS](#)