

Slimline Indexing Mechanism for A, MA and PCA wafers.

General Information compared These slim indexing mechanisms provide a reduced dimension behind the panel with the standard mechanisms.

- Features,
- Lower noise from the indexing with energy absorbing moulded components.
 - Exceptional electrical insulation.
 - Low capacitance.
 - Quiet operation with low friction factor.
 - Hygienic and corrosion resistance.
 - High strength moulded bush.
 - No additional lubrication from enclosed indexing mechanism.

New feature,

A recent improvement to the action on the 30° mechanism has resulted in a **positive action** feel to the switch. This now means that the selection of the required position is more precise and almost impossible to tease between indexing.

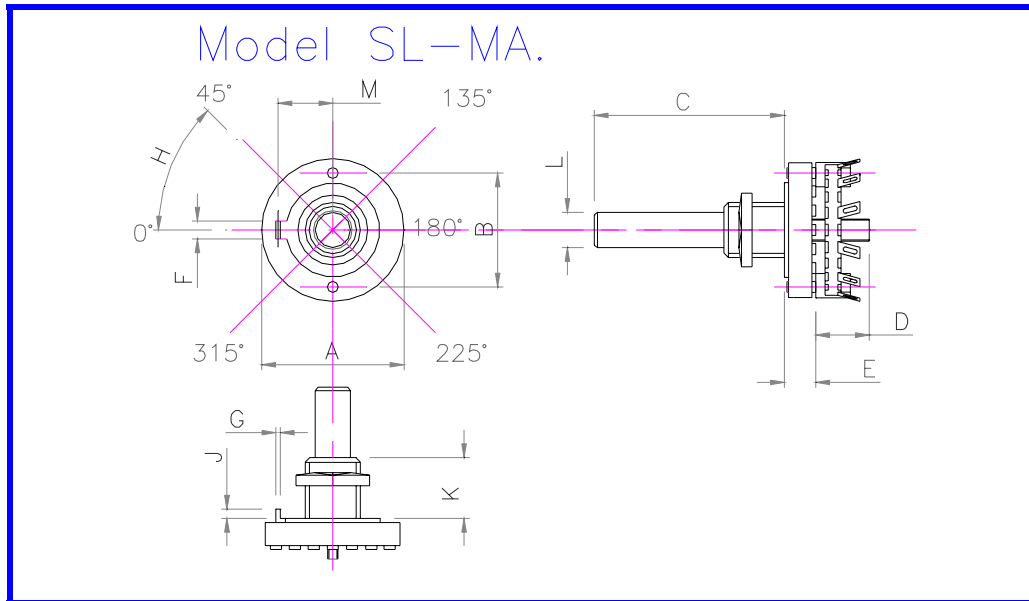
Specification.

- Materials :-
 Shaft and index wheel, Adjustable stop plate and Index housing :- Glass Filled Nylon.
 Plunger :- Polyacetal.
 Index springs :- Spring Music Wire
 Torque :- Standard, 13 oz.ins.
 Life :- 20,000 cycles.
 Stops :- One fixed stop in the housing with a rear adjustable stop plate.
 Struts :- Standard 2mm. dia. maximum length 54mm.
 Shaft :- Round, standard :- flats, to order.
 Maximum number of wafers per switch :- 3 (depending on total number of poles switching).
 Maximum number of poles per switch :- 8
 Special switching requirements will be considered on request.
 Sealing :- Not available.

Maximum Switching.

No. of Poles.	30° Index.MA	30° Index.PCA	30° Index. A	36° Index.MA
	12 Positions.	12 Positions.	12 Positions.	10 Positions.
1 Pole.	2 to 12 ways	2 to 12 ways	2 to 12 ways	2 to 10 ways
2 Pole.	2 to 7 ways	2 to 6 ways	2 to 6 ways	2 to 5 ways
3 Pole.	2 to 5 ways	2 to 3 ways	2 to 5 ways	2 to 4 ways
4 Pole.	2 to 4 ways	2 ways only	2 to 4 ways	2 or 3 ways
5 Pole.	2 to 3 ways	-	2 ways only	-
6 Pole.	2 ways only	-	2 ways only	-
7 Pole.	2 ways only	-	-	-

Engineering Bulletin No.44
Slimline Indexing Mechanism for A, MA and PCA wafers.



DIMENSIONS ARE IN MILLIMETRES.

Key to Details.

- A. Diameter of mechanism ; - 25,4mm
- B. Strut centres ; - 20,6mm
- C. Front shaft ; - 48,6mm maximum
- D. Rear shaft ; - 28,9mm
- E. Mounting face to first wafer ; -
MA model 6,3mm
PCA model and A models 9,5mm
- F. Locating lug width ; - 3,2mm
- G. Location lug thickness ; - 1,5mm
- H. Angle of locating lug ; - standard, 0 and 180
degrees ;
to order, 45°, 135°, 225° and 315°
- J. Locating lug depth ; 2,4mm.
Protrudes 1,7mm from mounting face.
- K. Bushing thread length ; 10mm thread M10 x 0,75.
- L. Shaft diameter ; 6mm
- M. Distance of locating lug from centre line through
shaft ; 9,5mm.

Revised May 1999.

© NSF Controls Limited.

X-ON Electronics

Largest Supplier of Electrical and Electronic Components

Click to view similar products for [nsf \(controls\) manufacturer:](#)

Other Similar products are found below :

[MK112S 454633MK](#) [455771MA](#) [MU 454882FPA\(MA\)](#) [MU-MKD 454622FPA\(MK\)](#) [MA112S 454623MA](#) [MU 454883FPA\(MA\)](#)