

General Information These versatile miniature switches have 25.4 mm diameter moulded wafers and are available in 2 versions, 36° indexing - having 18 clip positions and 30° indexing - having 22 such positions. 15°, 45° and 60° indexing are variations of the latter. Optional features include concentric shafts, panel and spindle seals, printed circuit termination's and momentary contact models.

Characteristics.

Electrical, Maximum working voltage,	300Vdc/ac (rms).
Contact rating, Current carrying	2amp continuous.
Current breaking with a resistive/non-reactive load.	150mA at 250Vac (rms)..
Proof Voltage.	1000Vrms at sea level.
Insulation resistance.	Not less than 500 megohms at 500Vdc. (between any 2 parts requiring electrical insulation)
Contact resistance (initial).	10 milliohms maximum at 100mV (rms). 100mA.max.
Mechanical.	
End stop strength.	0,8 ± 0,1 Nm (114oz.in.)
	Temperature range. -40°C. to +100°C.

Maximum Switching Per Wafer

No. of Poles.	36° MU-MA (b)	30° MU-MA (a)	45° MU-MA (c)	60° MU-MA (d)	15° MU-MG
	10 Positions.	12 Positions.			2 wafers
1 Pole.	2 to 10 ways	2 to 12 ways	2 to 8 ways	2 to 6 ways	providing 1 pole
2 Pole.	2 to 5 ways	2 to 7 ways	(fixed stop at	2 to 6 ways	24 way
3 Pole.	2 to 4 ways	2 to 5 ways	positions 3, 5,	2 or 3 ways	switching.
4 Pole.	2 or 3 ways	2 to 4 ways	and 7 ways)	2 or 3 ways	
5 Pole.	-	2 to 3 ways		2 ways only	
6 Pole.	-	2 ways only		on-off	
7 Pole.	-	2 ways only		-	

Index Mechanism.

The Type MU mechanism provides indexing angles of 30°, 36°, 45° and 60°, (see Bulletin RW36 for full technical details).

The low friction moulded cam followers in the assembly ensures a smooth indexing action.

Balance pressure springs provide consistent and readily reproducible total switch torque values within the following ranges.

Light	7 to 18 x 10 ⁻² Nm (10 to 26 oz, ins,)	Medium	14 to 32 x 10 ⁻² Nm (20 to 46 oz, ins,)
High	28 to 56 x 10 ⁻² Nm (40 to 80 oz, ins,)		

Type A indexing mechanism may also be used as an alternative where a simpler, space saving mechanism is required. The switch then becomes model A-MA. 30° indexing only.

Contacts & Termination's.

Standard. Silver plated brass.
 Alternatives. - Hard gold plated or silver contacts are available at extra cost as are contacts with gold flash.
 Termination's. - Forward, standard: Straight, alternative.

Rotor Blades.

Standard. - Shorting. (make before break. MBB.)
 Alternative. - Non-shorting. (break before make. BBM.)

Insulation.

Stator. - Moulded glass fibre loaded diallylphthalate (DAP)
 Rotor. - Polycarbonate.

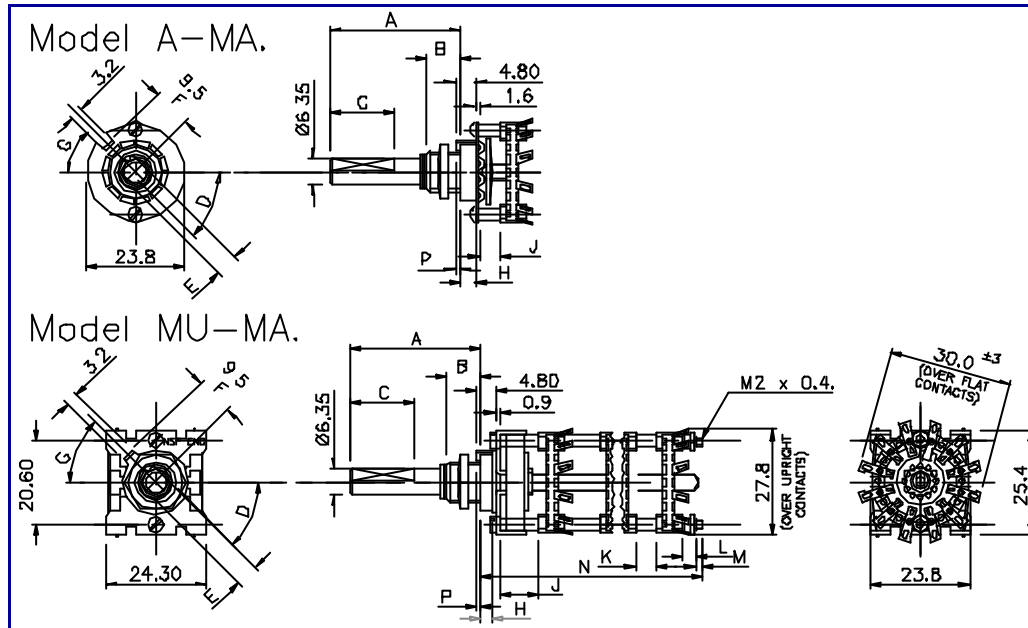
Finish.

Index Springs, Stainless steel: other metal parts, passivated zinc plated. Finishes to order.

Mounting Details.

Imperial (standard).	Metric (alternative)
Bush 3/8" x 32TPI (Whit.)	M10 x 0.75.
Shaft 0.25" dia.	6mm, dia.
Nut 0.525" A/F.	14mm A/F.

- Variations.
1. Biased indexing is available giving momentary contact on positions 8 to 7, 5 to 4, 4 to 3, 3 to 2 and 2 to 1 as well as 3 position biased to centre.
 2. Concentric shafts - dual concentric shafts and mechanisms for dual switching applications. (Not available for 36° indexing).
 3. Insulated shafts.
 4. Electrostatic shields.
 5. Printed circuit termination's - 2 types are available giving a variation in mounting height of the wafer above the P.C.board.
 6. Adjustable stops - 2 types are available.
 - Front - can be set without dismantling the switch and are available on models MU-MA (a),(d) and A-MA with imperial bush.
 - Rear - for use with all other indexing variations both Imperial and Metric versions.



Dimensions Are In Millimetres

Key To Details

- | | |
|--|--|
| A. Shaft length: optional ± 0.40 (0.016") | H. Bushing shoulder; standard 3,2 (0.125") |
| B. Bushing thread length: preferred standard 9.5 (0.375"); 6.35 (0.250") available as an alternative. Special lengths if necessary | J. Front spacer, minimum dimension: MU-MA 9,5 (0.375"), A-MA 5 |
| C. Flat length: length to specification. Tolerance ± 0.40 (0.016"). Special shaft termination's may be provided to special requirements. | K. Other spacers: minimum dimensions.
Clips facing same direction NIL.
Clips facing away or flat clips NIL.
Clips facing each other 3 |
| D. Angle of flat: to specification $\pm 2^\circ$; specify position of flat, with switch shaft in fully anti-clockwise position when viewed from front or knob end. | L. If no spacer 2,4 . Any length spacer desired may be inserted at this point. |
| E. Flat thickness: standard 5.55 ± 0.15 for grub screws; 4.95 ± 0.05 for push-on knobs. | M. Thread extension: typically 3 x M2 x 0,4 any length desired. |
| F. Distance of locating lug from shaft, centre line to centre line. | P. Standard locating lug lengths:
unsealed, projects 1.6 beyond mounting face;
sealed, 0,05 / 0,15 below mounting face; |
| G. Angle of locating lug: type MU mechanism; 45°, 135°, 225° and 315° from horizontal centre line; the alternative "A" type mechanism also includes 0° and 180° as viewed. | |

General Information

These slim indexing mechanisms provide a reduced dimension behind the panel compared with the standard mechanisms.

- Features,
- Lower noise from the indexing with energy absorbing moulded components.
 - Exceptional electrical insulation.
 - Low capacitance.
 - Quiet operation with low friction factor.
 - Hygienic and corrosion resistance.
 - High strength moulded bush.
 - No additional lubrication from enclosed indexing mechanism.

New feature,

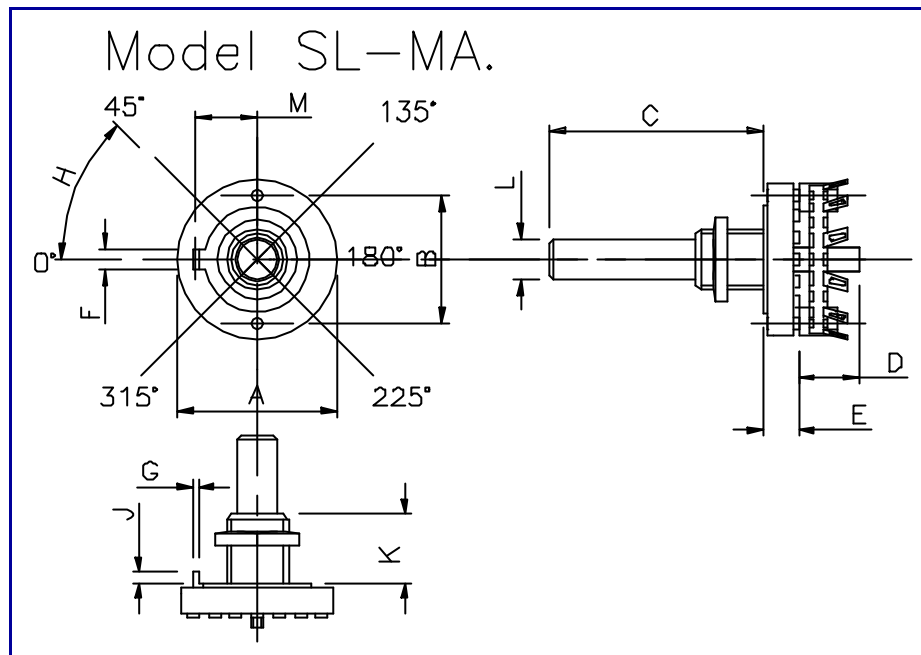
A recent improvement to the action on the 30° mechanism has improved the **positive action** or feel of the switch providing a more precise indexing which is almost impossible to tease indexed positions. To order this option please specify positive action version.

Specification. Materials :-

- Shaft and index wheel, Adjustable stop plate and Index housing :- Glass Filled Nylon.
- Plunger :- Polyacetal.
- Index springs :- Spring Music Wire
- Torque :- Standard, 13 oz.ins.
- Life :- 20,000 cycles.
- Stops :- One fixed stop in the housing with a rear adjustable stop plate.
- Struts :- Standard 2mm. dia. maximum length 54mm.
- Shaft :- Round, standard :- flats, to order.
- Maximum number of wafers per switch :- 3 (depending on total number of poles perswitch).
- Maximum number of poles per switch :- 8
- Special switching requirements will be considered on request.
- Sealing :- Not available.

Maximum Switching.

No. of Poles.	30° Index.MA	30° Index.PCA	30° Index. A	36° Index.MA
	12 Positions.	12 Positions.	12 Positions.	10 Positions.
1 Pole.	2 to 12 ways	2 to 12 ways	2 to 12 ways	2 to 10 ways
2 Pole.	2 to 7 ways	2 to 6 ways	2 to 6 ways	2 to 5 ways
3 Pole.	2 to 5 ways	2 to 3 ways	2 to 5 ways	2 to 4 ways
4 Pole.	2 to 4 ways	2 ways only	2 to 4 ways	2 or 3 ways
5 Pole.	2 to 3 ways	-	2 ways only	-
6 Pole.	2 ways only	-	2 ways only	-
7 Pole.	2 ways only	-	-	-



Dimensions Are In Millimetres

Key To Details

- A. Diameter of mechanism ; - 25,4mm
- B. Strut centres ; - 20,6mm
- C. Front shaft ; - 48,6mm maximum
- D. Rear shaft ; - 28,9mm
- E. Mounting face to first wafer ; -
MA model 6,3mm
PCA model and A models 9,5mm
- F. Locating lug width ; - 3,2mm
- G. Locating lug thickness ; - 1,5mm
- H. Angle of locating lug ; - standard, 0 and 180 degrees ;
to order, 45°, 135°, 225° and 315°
- J. Locating lug depth ; 2,4mm.
Protrudes 1,7mm from mounting face.
- K. Bushing thread length ; 10mm thread M10 x 0,75.
- L. Shaft diameter ; 6mm
- M. Distance of locating lug from centre line through
shaft ; 9,5mm.

X-ON Electronics

Largest Supplier of Electrical and Electronic Components

Click to view similar products for [nsf \(controls\) manufacturer:](#)

Other Similar products are found below :

[MK112S 454633MK](#) [455771MA](#) [MU 454882FPA\(MA\)](#) [MU-MKD 454622FPA\(MK\)](#) [MA112S 454623MA](#) [MU 454883FPA\(MA\)](#)