



ELECTRONICS, INC.  
 44 FARRAND STREET  
 BLOOMFIELD, NJ 07003  
 (973) 748-5089

## NTE519 Silicon Rectifier Diode Ultra Fast Switch

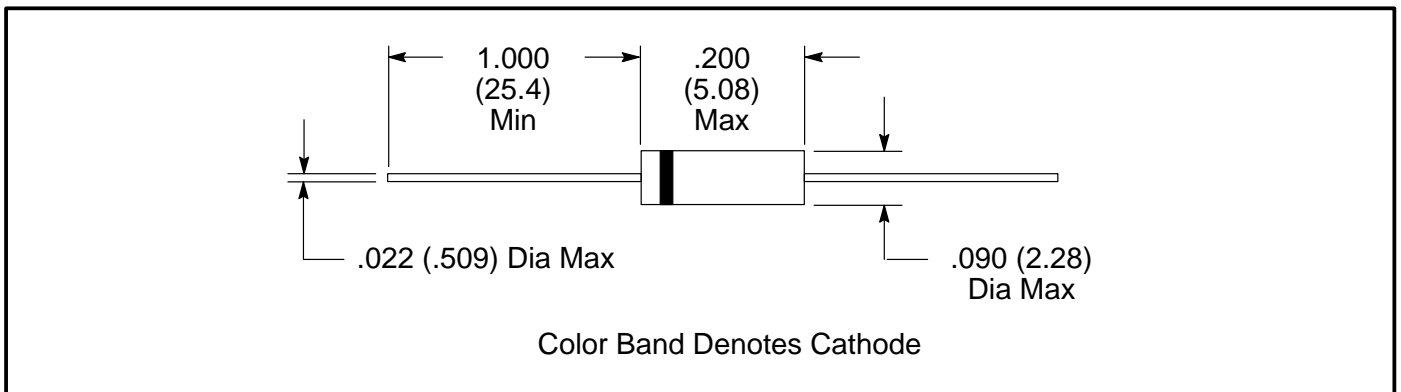
### Absolute Maximum Ratings:

Repetitive Peak Reverse Voltage, $V_{RRM}$ .....	100V
Reverse Voltage, $V_R$ .....	75V
Surge Forward Current ( $t_p = 1\mu s$ ), $I_{FSM}$ .....	2A
Repetitive Peak Forward Current, $I_{FRM}$ .....	500mA
Forward Current, $I_F$ .....	300mA
Average Forward Current ( $V_R = 0$ ), $I_{FAV}$ .....	150mA
Power Dissipation ( $l = 4mm$ ), $P_V$	
$T_L = +45^\circ C$ .....	440mW
$T_L \leq +25^\circ C$ .....	500mW
Junction Temperature, $T_J$ .....	+200°C
Storage Temperature Range, $T_{stg}$ .....	-65° to +200°C
Junction to Ambient ( $l = 4mm$ , $T_L = \text{constant}$ ), $R_{thJA}$ .....	350K/W

### Electrical Characteristics: ( $T_J = +25^\circ C$ unless otherwise specified)

Parameter	Symbol	Test Conditions	Min	Typ	Max	Unit
Forward Voltage Drop	$V_F$	$I_F = 10mA$	-	-	1	V
Reverse Current	$I_R$	$V_R = 20V$	-	-	25	nA
		$V_R = 20V, T_J = +150^\circ C$	-	-	50	$\mu A$
		$V_R = 75V$	-	-	5	$\mu A$
Breakdown Voltage	$V_{(BR)}$	$I_R = 100\mu A$ , Note 1	100	-	-	V
Diode Capacitance	$C_D$	$V_R = 0, f = 1MHz, V_{HF} = 50mV$	-	-	4	pF
Rectification Efficiency	$\eta_r$	$V_{HF} = 2V, f = 100MHz$	45	-	-	%
Reverse Recovery Time	$t_{rr}$	$I_F = I_R = 10mA, i_R = 1mA$	-	-	8	ns
		$I_F = 10mA, V_R = 6V, i_R = 0.1 \cdot I_R, R_L = 100\Omega$	-	-	4	nS

Note 1.  $\frac{t_p}{T} = 0.01, t_p = 0.3ms$



## X-ON Electronics

Largest Supplier of Electrical and Electronic Components

*Click to view similar products for [NTE manufacturer](#):*

Other Similar products are found below :

[747](#) [797](#) [868](#) [1724](#) [NEH680M50FE](#) [NEHH1.0M450CB](#) [NTE131](#) [NTE48](#) [NTE526A](#) [228A](#) [231](#) [954](#) [2023](#) [510](#) [WH20-04-25](#) [04-SLPE3750A](#) [5615](#) [591](#) [MJ10012](#) [7056](#) [7448](#) [NEH.10M50AA](#) [NEH2.2M63AA](#) [NEH330M35DD](#) [NEH33M10AA](#) [NEV.22M100AA](#) [NTE133](#) [NTE542](#) [NTE74154](#) [04-SCBW25L-BK](#) [04-SCBW6C-BK](#) [04-SCBW32L-BK](#) [04-SCW10C-BK](#) [04-SCBW19L-GR](#) [04-SCW19L-WH](#) [04-SCW19L-OR](#) [04-SCW38L-WH](#) [04-SCBW50L-OR](#) [04-SCBW50L-GR](#) [04-SCW10C-GR](#) [04-SCW10C-OR](#) [04-SCBW32L-GR](#) [04-SCBW32L-WH](#) [04-SCBW32L-OR](#) [04-SCBW6C-WH](#) [04-SCBW6C-GR](#) [04-SCBW6C-OR](#) [04-SCBW25L-GR](#) [04-SCBW25L-WH](#) [04-ESNF-500L](#)